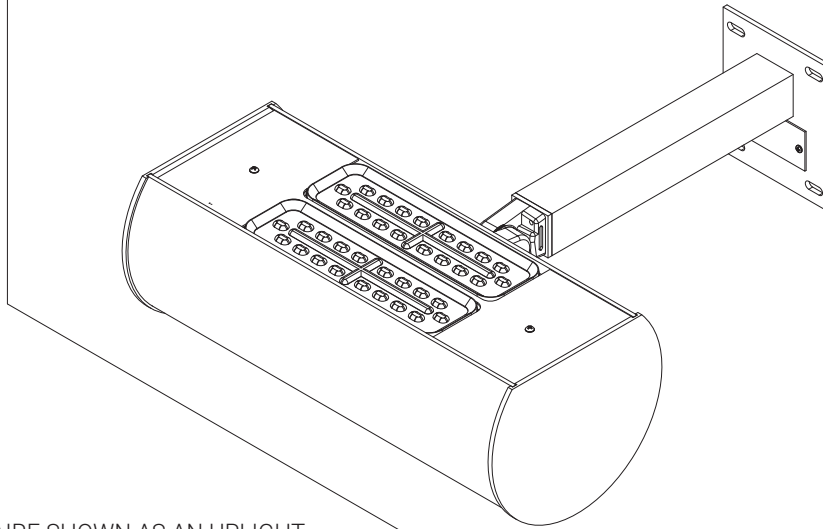


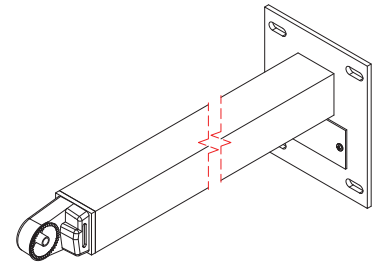


WARNING!

- READ THE PROVIDED INSTRUCTIONS PRIOR TO INSTALLING.
- INSTALLATION SHOULD BE CARRIED OUT BY QUALIFIED INSTALLERS.
- THE INSTALLER HAS THE FINAL RESPONSIBILITY FOR THE STRENGTH AND RIGIDITY OF THE WALL/CEILING STRUCTURE.
- A MINIMUM OF 2 PEOPLE REQUIRED WHEN INSTALLING LONG LENGTH FIXTURES.

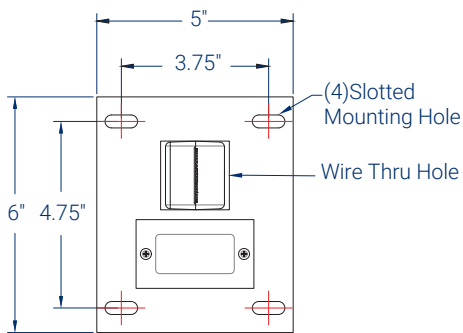


LUMINAIRE SHOWN AS AN UPLIGHT

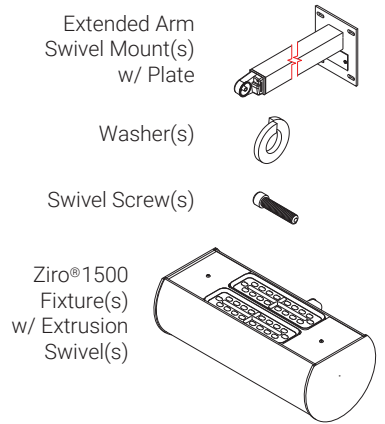


* 24" FIXTURE WILL HAVE (2) SWIVEL MOUNTS

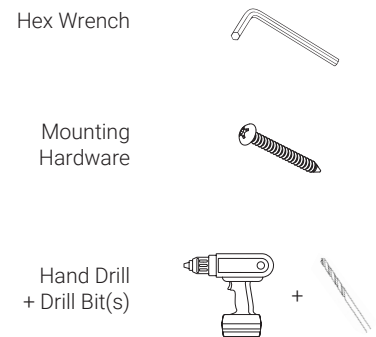
MOUNT DIMENSIONS



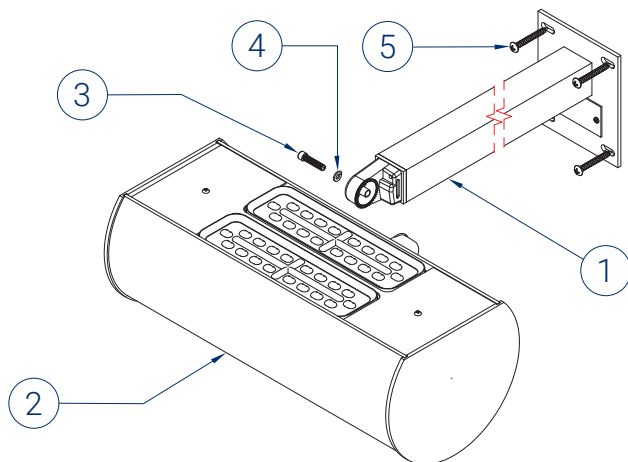
PACKAGE INCLUDES



ITEMS NEEDED (BY OTHERS)



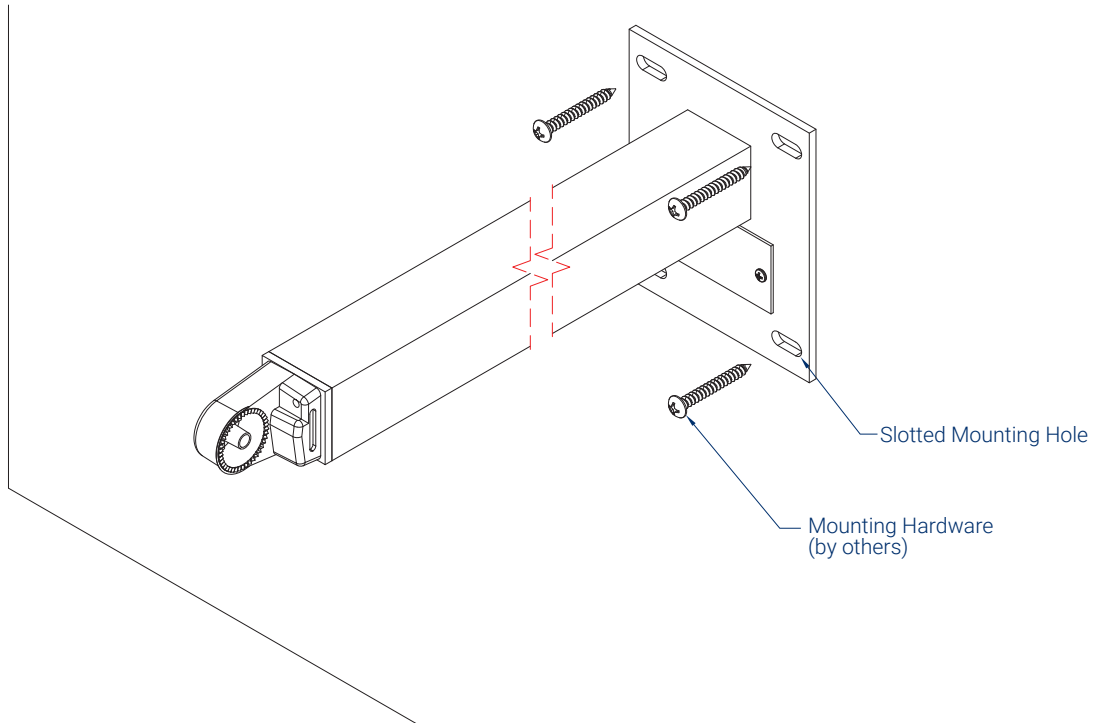
ISOMETRIC VIEW



- (1) Extended Arm Swivel Mount w/ Plate
- (2) Ziro® 1500 Fixture w/ Extrusion Swivel(s)
- (3) Swivel Screw
- (4) Washer
- (5) Mount Hardware (by others)

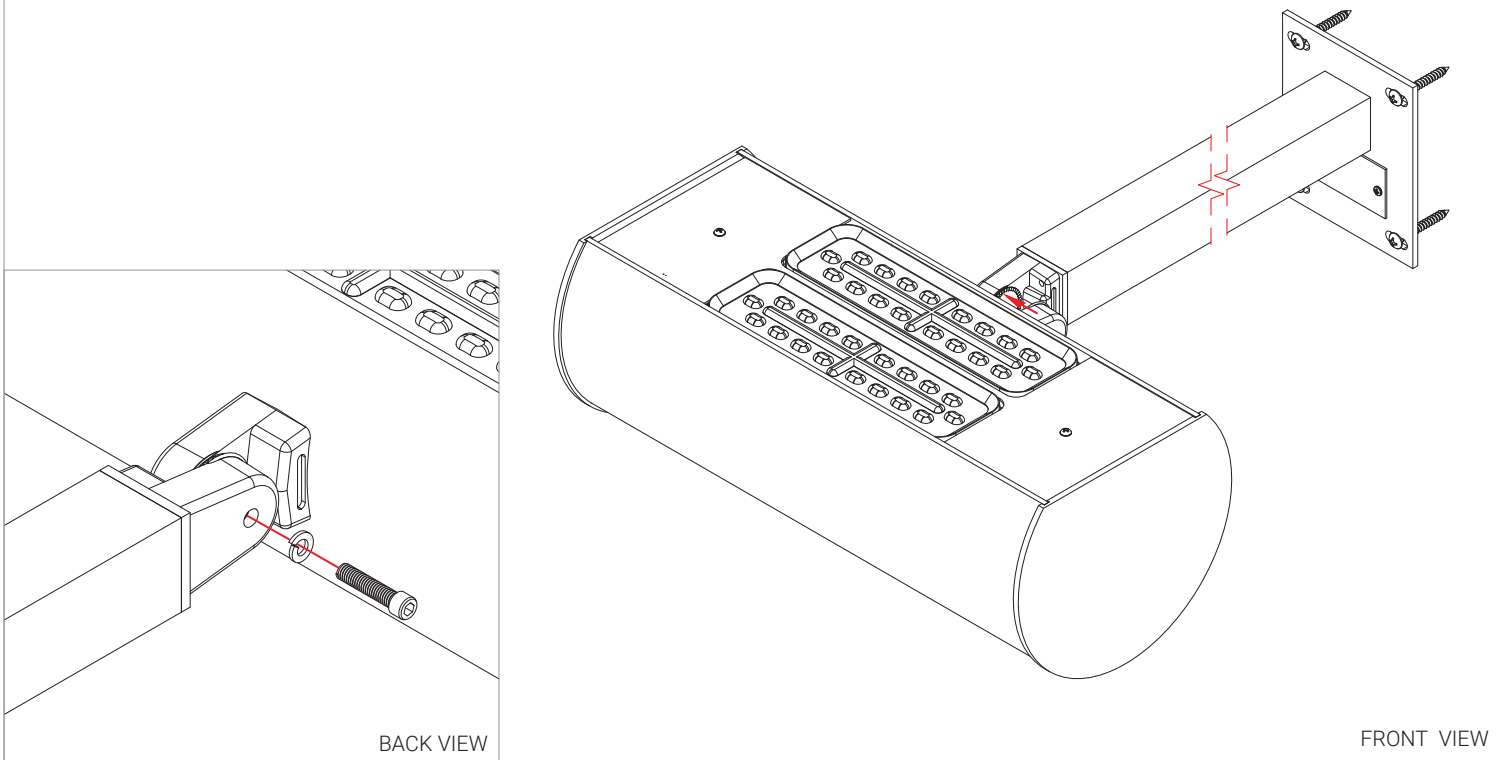
1 MOUNT EXTENDED ARM SWIVEL PLATE(S) TO SURFACE

- INSERT MOUNTING HARDWARE THROUGH THE SLOTTED MOUNTING HOLES ONTO DESIRED SURFACE UNTIL SECURE.



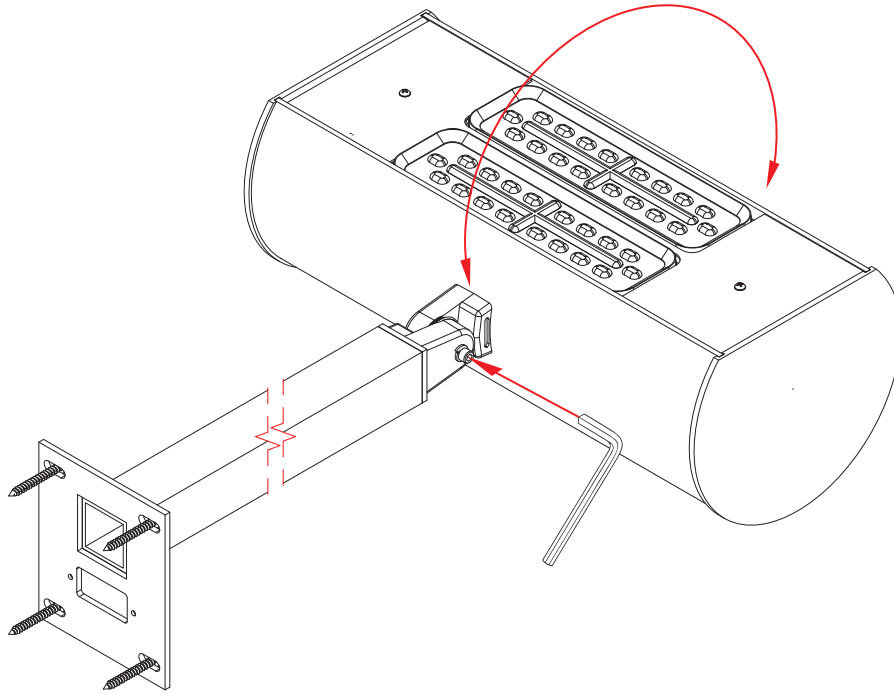
2 ATTACH SWIVEL(S)

- ATTACH EXTRUSION SWIVEL ONTO EXTENDED ARM SWIVEL MOUNT.
- USE THE SWIVEL SCREWS AND WASHERS TO LOOSELY ATTACH THE MOUNTS TOGETHER.
- THE WASHER PRECEDES THE SCREW (SEE ILLUSTRATION).



3 SELECT DESIRED ANGLE

- ROTATE AND TILT THE FIXTURE INTO DESIRED DEGREE ANGLE AND TIGHTEN SWIVEL SCREW(S).



BACK VIEW