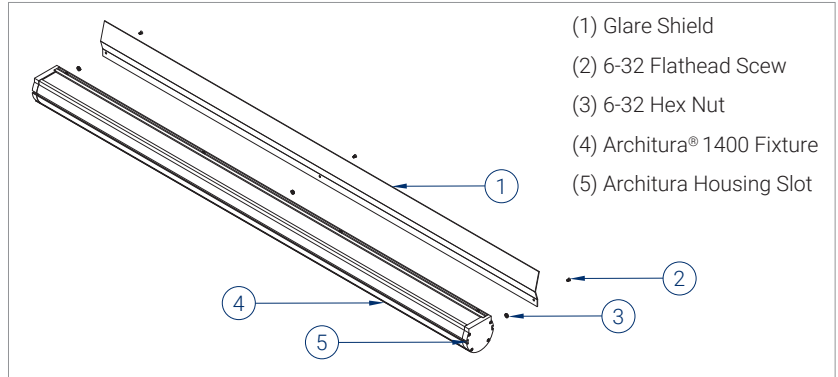
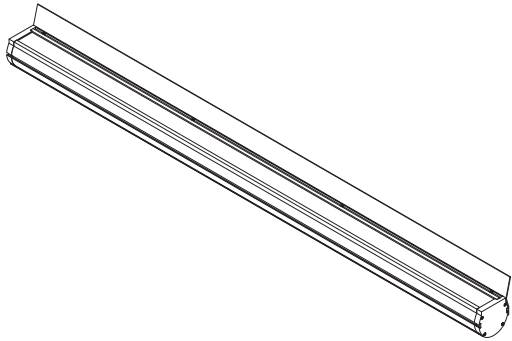




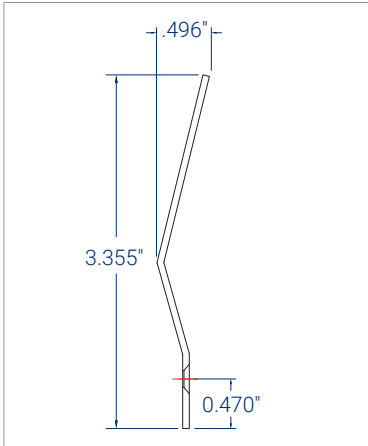
WARNING!

- READ THE PROVIDED INSTRUCTIONS PRIOR TO INSTALLING.
- INSTALLATION SHOULD BE CARRIED OUT BY QUALIFIED INSTALLERS.
- THE INSTALLER HAS THE FINAL RESPONSIBILITY FOR THE STRENGTH AND RIGIDITY OF THE WALL/CEILING STRUCTURE.
- A MINIMUM OF 2 PEOPLE REQUIRED WHEN INSTALLING LONG LENGTH FIXTURES.



- (1) Glare Shield
- (2) 6-32 Flathead ScREW
- (3) 6-32 Hex Nut
- (4) Architura® 1400 Fixture
- (5) Architura Housing Slot

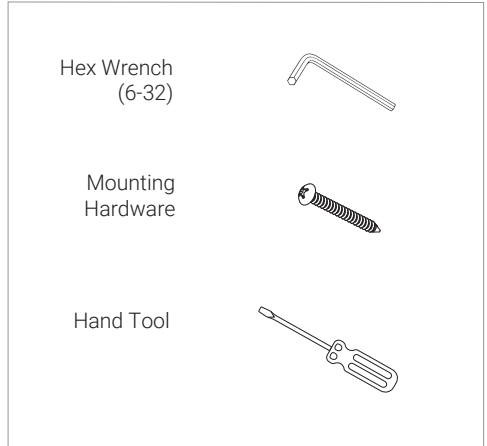
**MOUNT DIMENSIONS**



**PACKAGE INCLUDES**



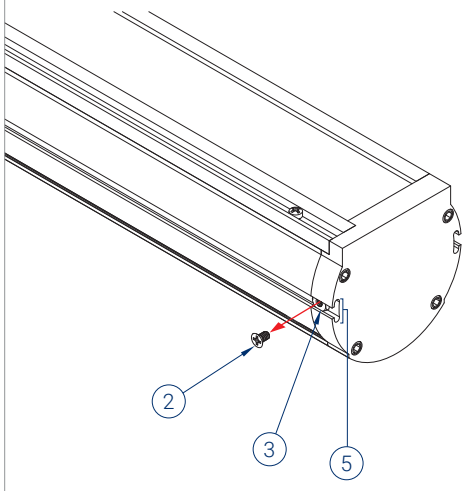
**ITEMS NEEDED (BY OTHERS)**



**Mount Instructions**

**1 UNFASTEN MOUNTING SCREW(S)**

- CAREFULLY UNFASTEN THE MOUNTING SCREWS (2) IN THE ARCHITURA HOUSING SLOT(5).
- LEAVE THE HEX NUTS(3) IN PLACE.



**2 UNFASTEN MOUNTING SCREW(S)**

- ALIGN THROUGH HOLES ON GLARE SHIELD (1) WITH HEX NUTS IN THE ARCHITURA HOUSING SLOT.
- INSERT 6-32 FLATHEAD SCREWS (2) INTO THE GLARE SHIELD. FASTEN UNTIL SECURE.

