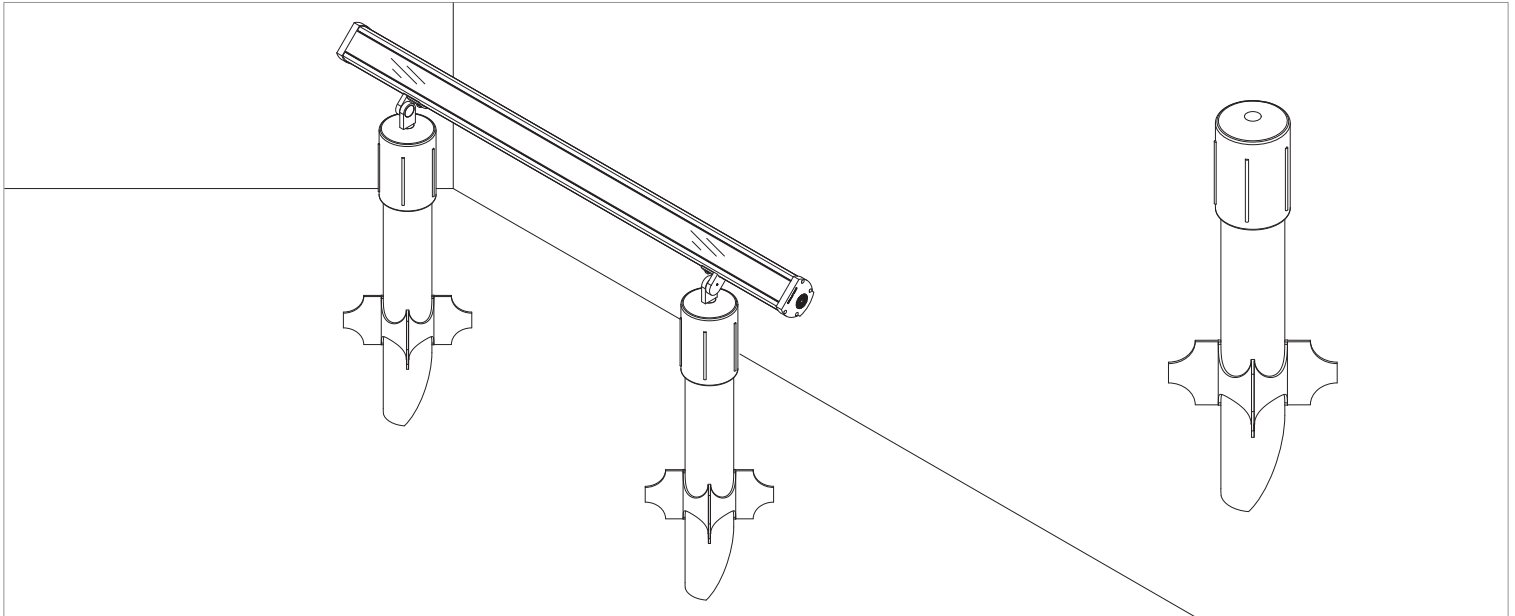


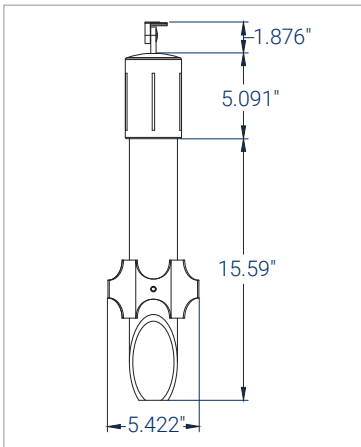


WARNING!

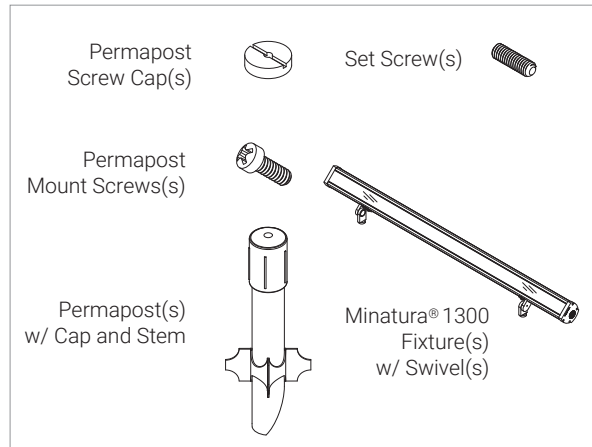
- READ THE PROVIDED INSTRUCTIONS PRIOR TO INSTALLING.
- INSTALLATION SHOULD BE CARRIED OUT BY QUALIFIED INSTALLERS.
- THE INSTALLER HAS THE FINAL RESPONSIBILITY FOR THE STRENGTH AND RIGIDITY OF THE WALL/CEILING STRUCTURE.
- A MINIMUM OF 2 PEOPLE REQUIRED WHEN INSTALLING LONG LENGTH FIXTURES.



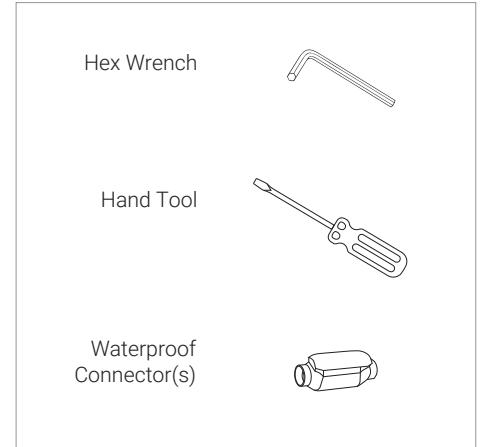
MOUNT DIMENSIONS



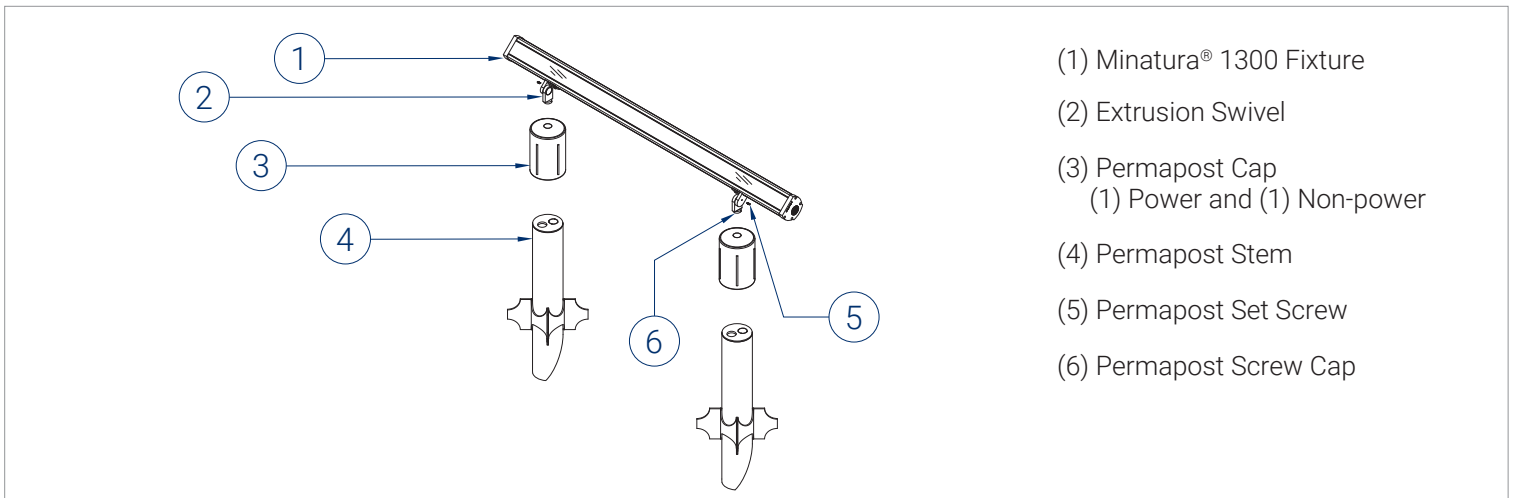
PACKAGE INCLUDES



ITEMS NEEDED (BY OTHERS)



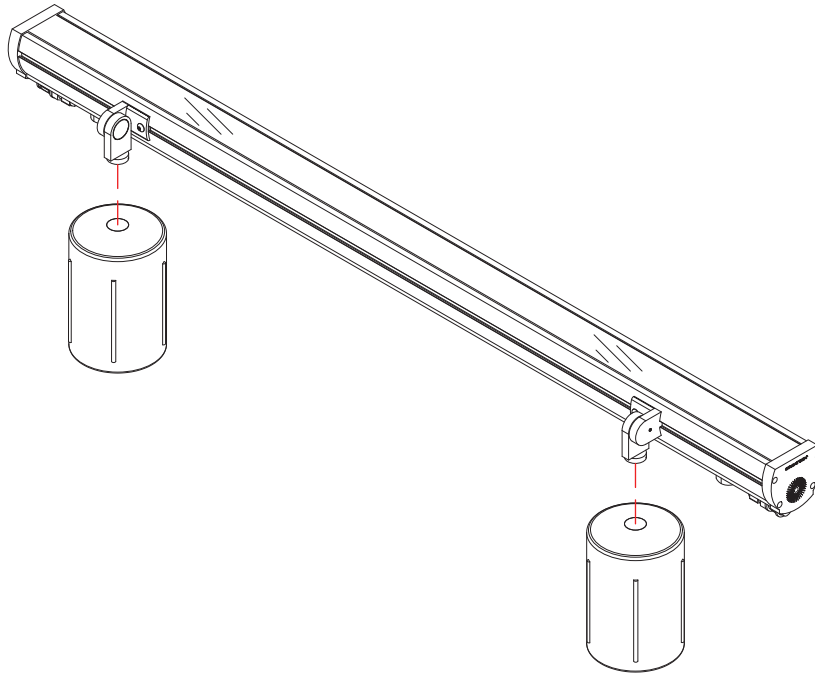
ISOMETRIC / EXPLODED VIEW



- (1) Minatura® 1300 Fixture
- (2) Extrusion Swivel
- (3) Permapost Cap
(1) Power and (1) Non-power
- (4) Permapost Stem
- (5) Permapost Set Screw
- (6) Permapost Screw Cap

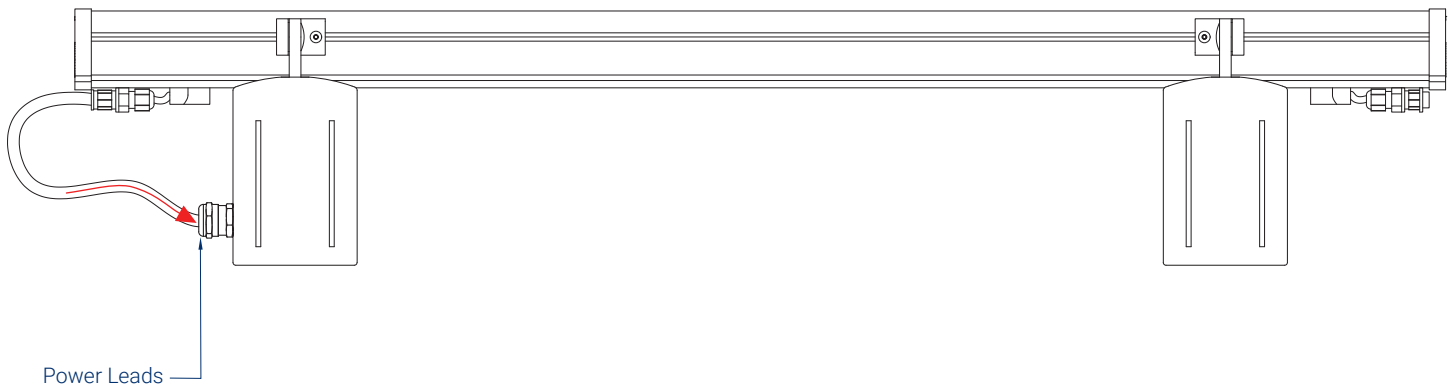
1 ATTACH FIXTURE TO PERMAPOST CUP(S)

- SCREW ON PERMAPOST CUP(S) TO FIXTURE SWIVEL.



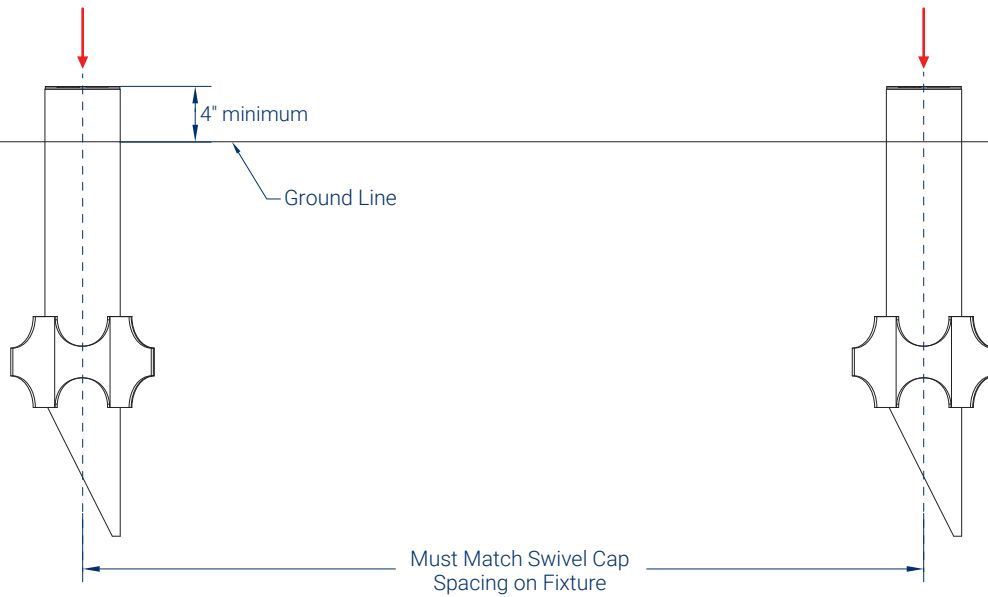
2 INSERT POWER LEAD(S)

- INSERT FIXTURE POWER LEAD INTO PERMAPOST CAP MOUNT.



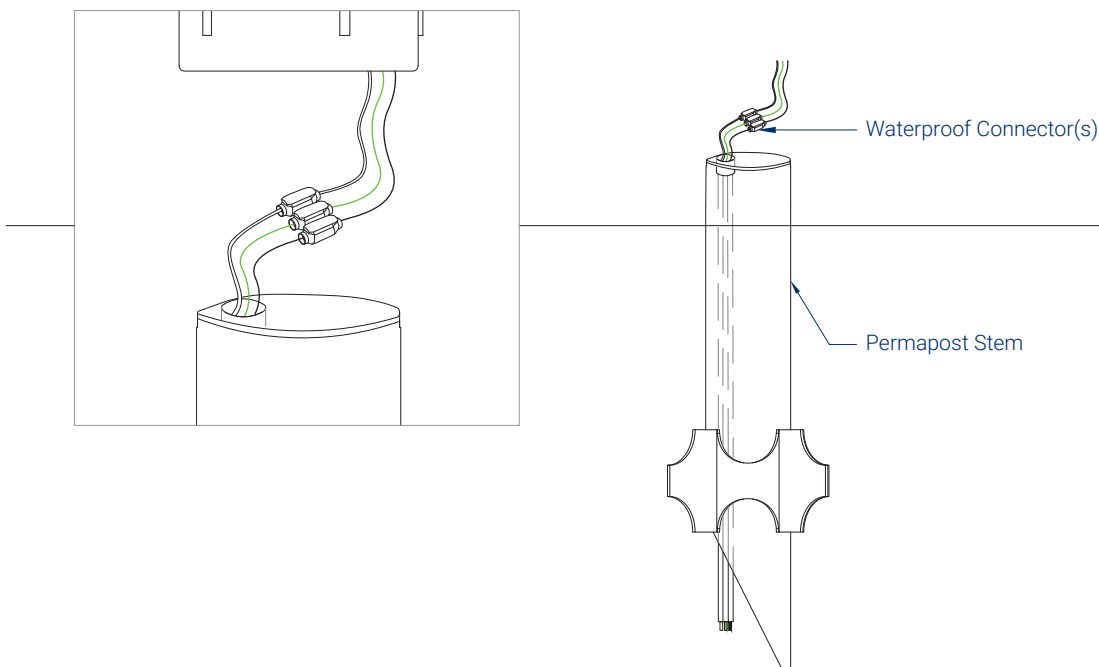
3 INSERT PERMAPOST STEM(S)

- INSERT PERMAPOST STEM(S) INTO THE GROUND TO THE SAME DISTANCE AS THE CAP(S) ON THE FIXTURE.
- IT IS RECOMMENDED THAT FIXTURE IS MOUNTED AT LEAST 4" ABOVE GROUND LEVEL TO ENSURE WATER RUNOFF.



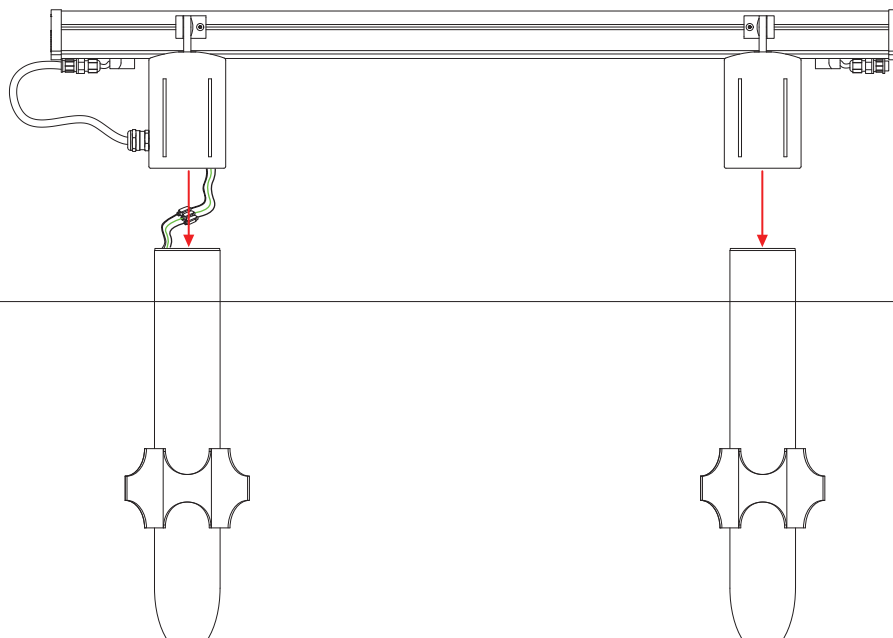
4 COMPLETE WIRING

- WIRE FIXTURE INSIDE THE PERMAPOST STEM. USE ONLY WATERPROOF CONNECTORS.

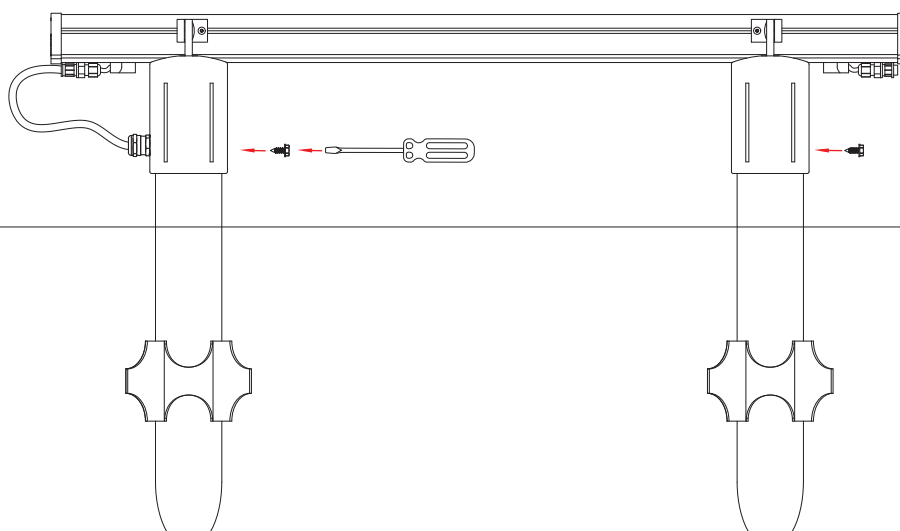


5 POSITION PERMAPOST CAPS ONTO PERMAPOST STEMS

- POSITION AND PLACE FIXTURE WITH ATTACHED PERMAPOST CAPS ONTO THE PERMAPOST STEMS.

**6 SECURE PERMAPOST CAPS**

- SECURE PERMAPOST CAPS TO THE STEMS WITH THE PERMAPOST MOUNT SCREW(S).



7 SELECT DESIRED ANGLE

- ROTATE AND TILT THE FIXTURE INTO DESIRED ANGLE.
- TIGHTEN SET SCREWS TO SECURE.

