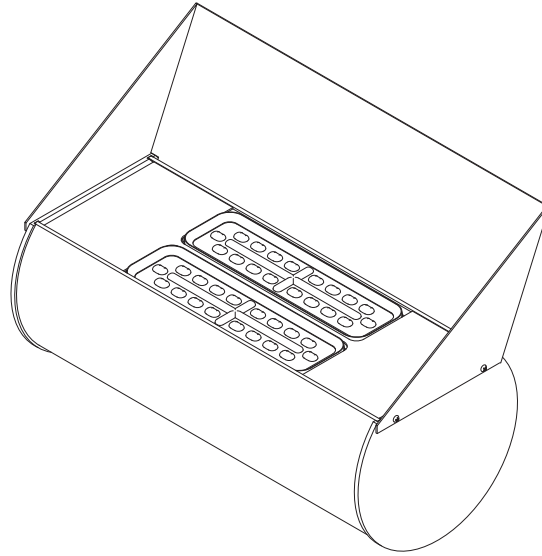


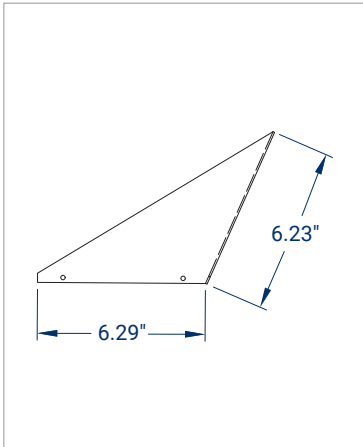


WARNING!

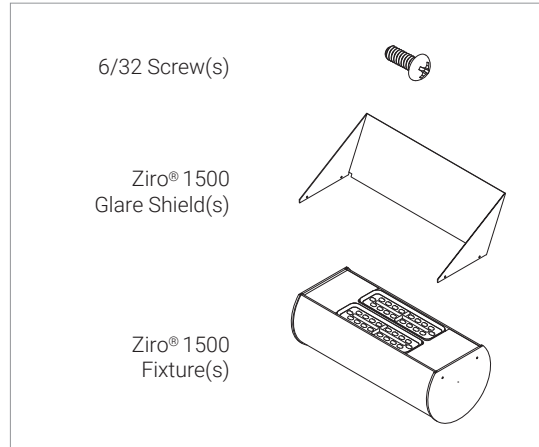
- READ THE PROVIDED INSTRUCTIONS PRIOR TO INSTALLING.
- INSTALLATION SHOULD BE CARRIED OUT BY QUALIFIED INSTALLERS.
- THE INSTALLER HAS THE FINAL RESPONSIBILITY FOR THE STRENGTH AND RIGIDITY OF THE WALL/CEILING STRUCTURE.
- A MINIMUM OF 2 PEOPLE REQUIRED WHEN INSTALLING LONG LENGTH FIXTURES.



MOUNT DIMENSIONS



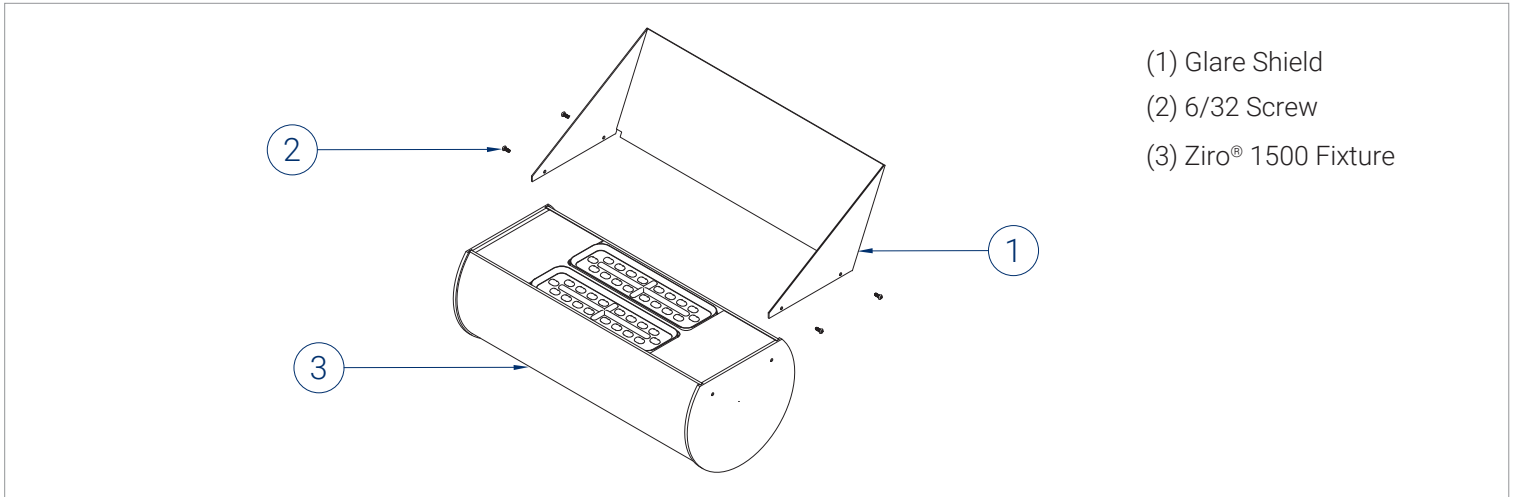
PACKAGE INCLUDES



ITEMS NEEDED (BY OTHERS)



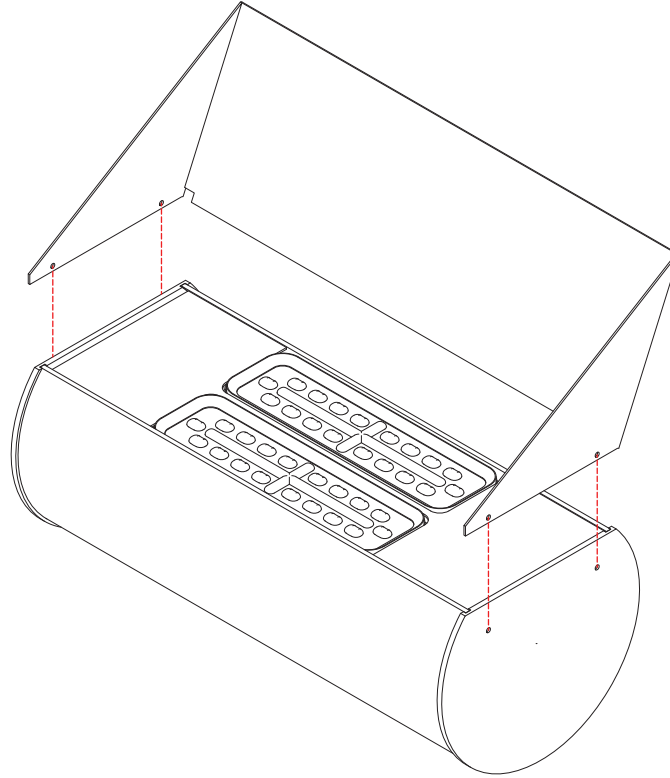
ISOMETRIC / EXPLODED VIEW



- (1) Glare Shield
- (2) 6/32 Screw
- (3) Ziro® 1500 Fixture

**1 ALIGN MOUNT HOLES**

- ALIGN GLARE SHIELD MOUNT HOLES WITH FIXTURE MOUNTS HOLES ON THE END CAPS.

**2 SECURE THE GLARE SHIELD(S)**

- SECURE THE GLARE SHIELD ONTO THE FIXTURE USING THE PROVIDED 6/32 SCREWS.

