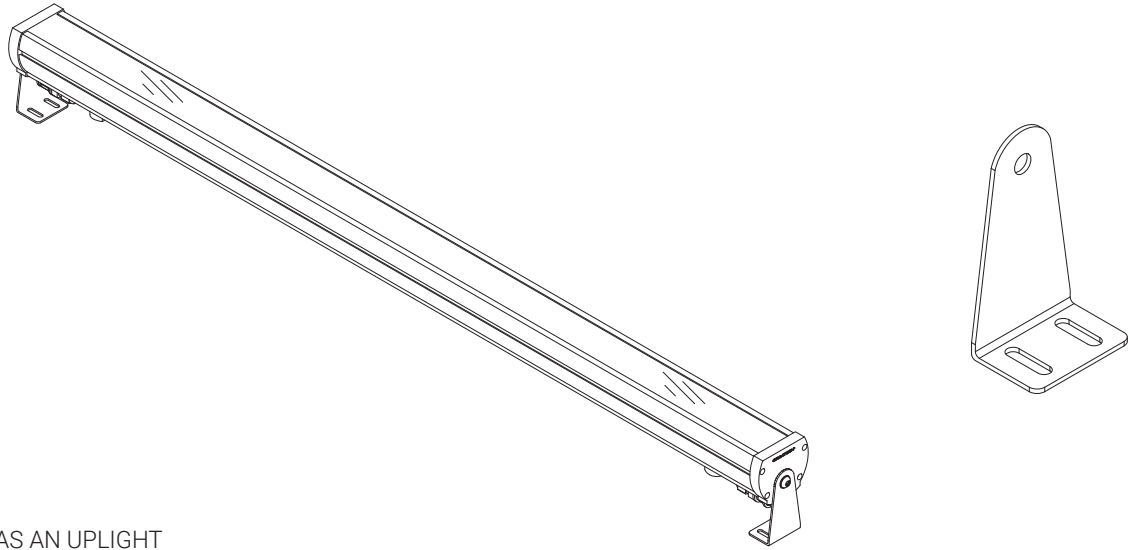




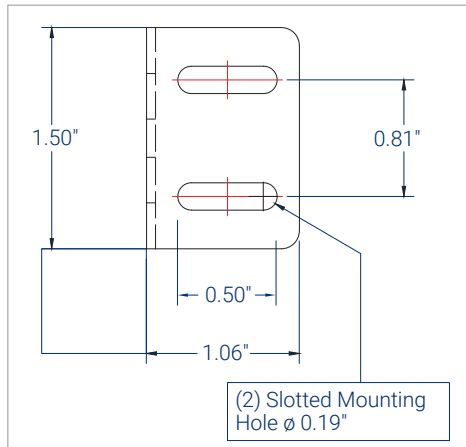
WARNING!

- READ THE PROVIDED INSTRUCTIONS PRIOR TO INSTALLING.
- INSTALLATION SHOULD BE CARRIED OUT BY QUALIFIED INSTALLERS.
- THE INSTALLER HAS THE FINAL RESPONSIBILITY FOR THE STRENGTH AND RIGIDITY OF THE WALL/CEILING STRUCTURE.
- A MINIMUM OF 2 PEOPLE REQUIRED WHEN INSTALLING LONG LENGTH FIXTURES.

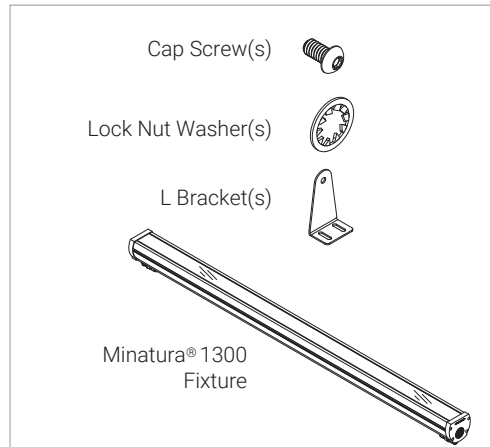


LUMINAIRE SHOWN AS AN UPLIGHT

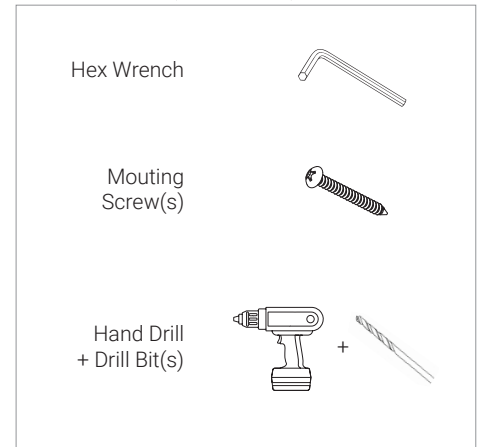
MOUNT DIMENSIONS



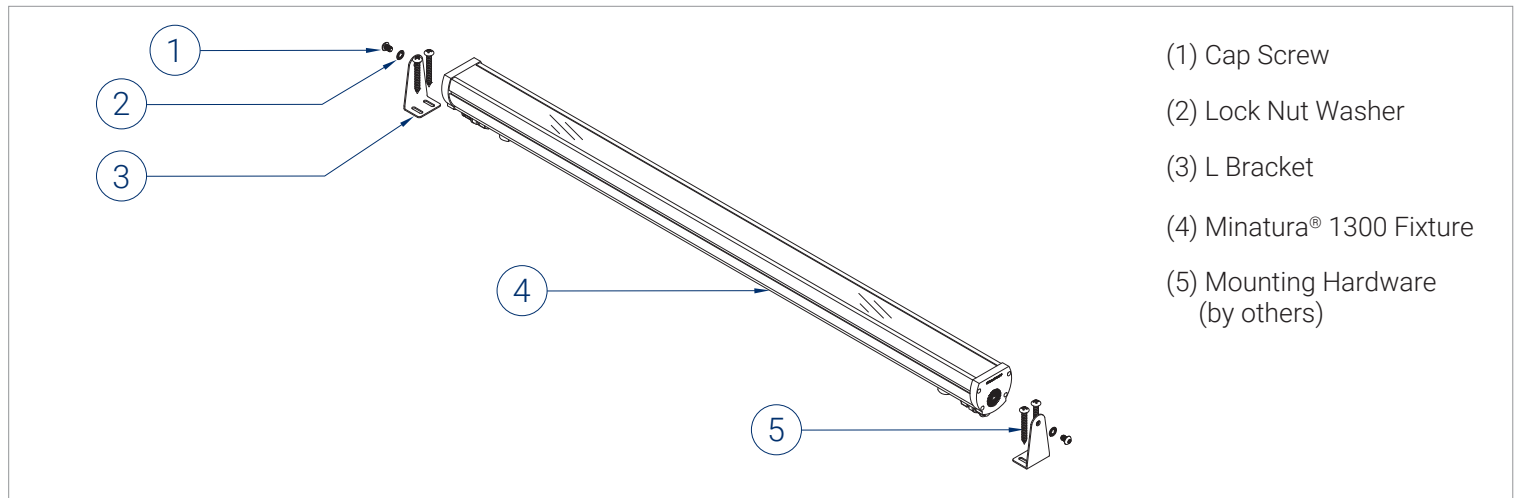
PACKAGE INCLUDES



ITEMS NEEDED (BY OTHERS)



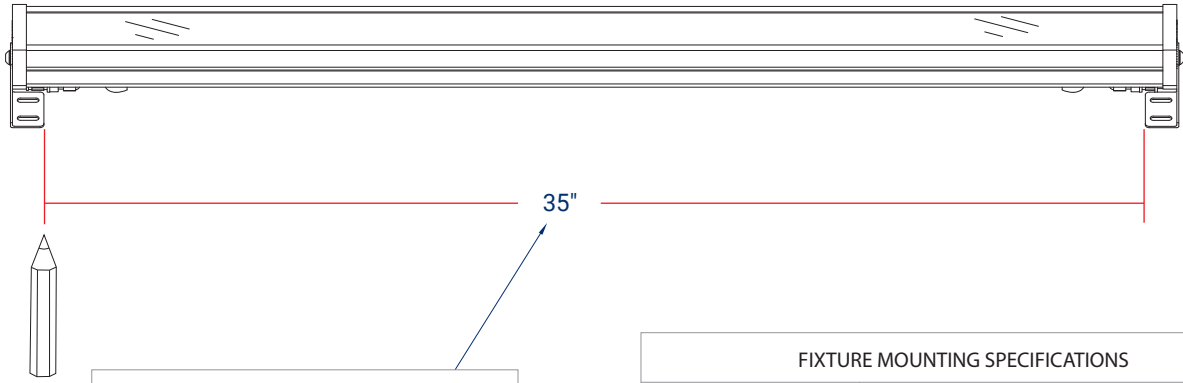
ISOMETRIC / EXPLODED VIEW



- (1) Cap Screw
- (2) Lock Nut Washer
- (3) L Bracket
- (4) Minatura® 1300 Fixture
- (5) Mounting Hardware (by others)

1 MEASURE AND MARK

· MEASURE AND MARK THE SURFACE ACCORDING TO THE "FIXTURE MOUNTING SPECIFICATIONS" CHART (BELOW) TO ENSURE ACCURATE PLACEMENT OF L BRACKET(S).

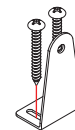
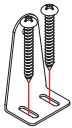


Example: 37" (nom) Fixture = 35" marked from inside edges of L Bracket(s).

FIXTURE MOUNTING SPECIFICATIONS	
Fixture Length (Nom)	Mounting Length (from inside edges)
10"	8"
28"	26"
37"	35"
46"	44"

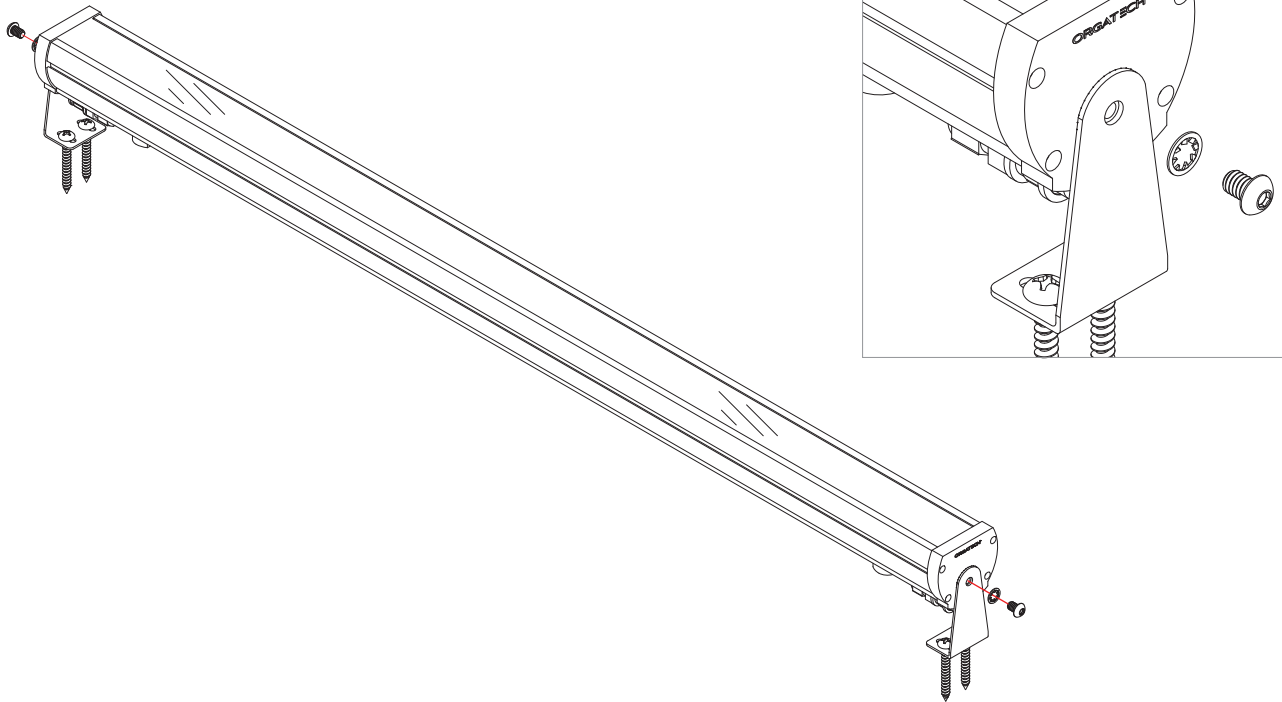
2 MOUNT L BRACKET(S)

· USING MOUNTING SCREW(S) (BY OTHERS), MOUNT THE L BRACKET(S) TO THE SURFACE UNTIL SECURE.



3 MOUNT L BRACKET(S)

- INSERT FIXTURE(S) IN BETWEEN THE SECURED L BRACKET(S).
- INSERT WASHERS AND SCREWS IN THE CORRECT ORDER (SEE ILLUSTRATION).

**4 SELECT DESIRED ANGLE**

- ROTATE AND TILT THE FIXTURE INTO DESIRED DEGREE ANGLE AND TIGHTEN CAP SCREW(S) UNTIL SECURE.

