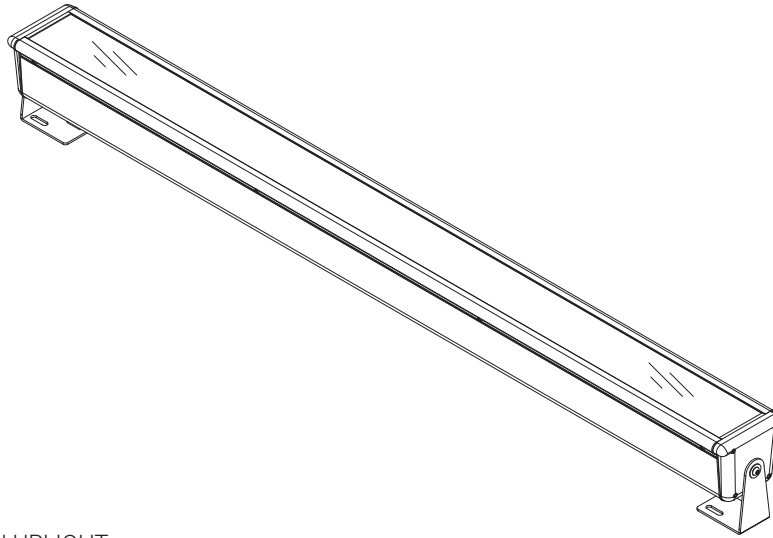




WARNING!

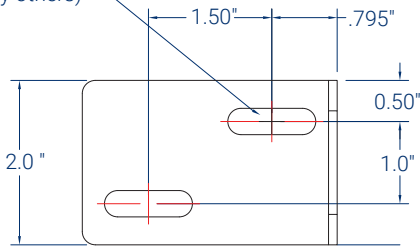
- READ THE PROVIDED INSTRUCTIONS PRIOR TO INSTALLING.
- INSTALLATION SHOULD BE CARRIED OUT BY QUALIFIED INSTALLERS.
- THE INSTALLER HAS THE FINAL RESPONSIBILITY FOR THE STRENGTH AND RIGIDITY OF THE WALL/CEILING STRUCTURE.
- A MINIMUM OF 2 PEOPLE REQUIRED WHEN INSTALLING LONG LENGTH FIXTURES.



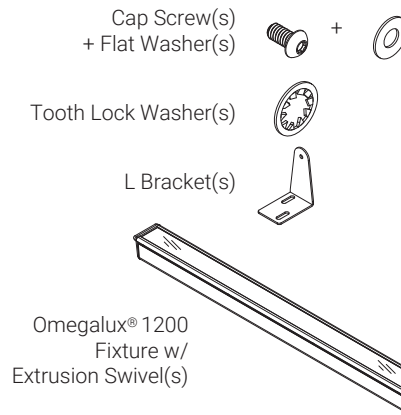
LUMINAIRE SHOWN AS AN UPLIGHT

**MOUNT DIMENSIONS**

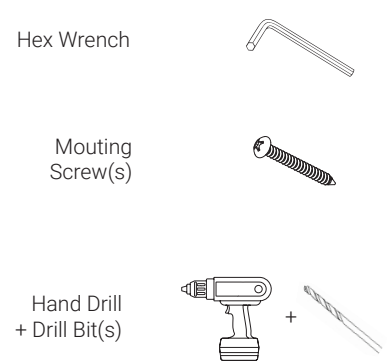
(2) Slotted Mounting Holes For 1/4" Screw (by others)



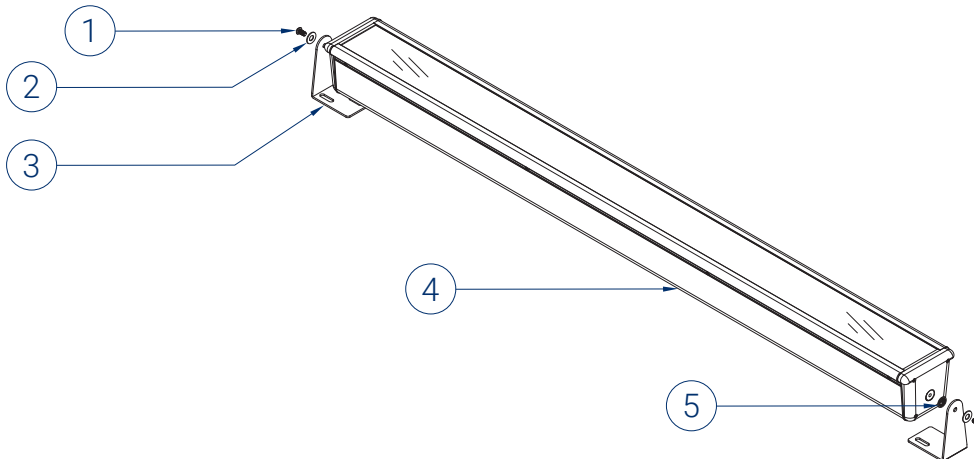
**PACKAGE INCLUDES**



**ITEMS NEEDED (BY OTHERS)**



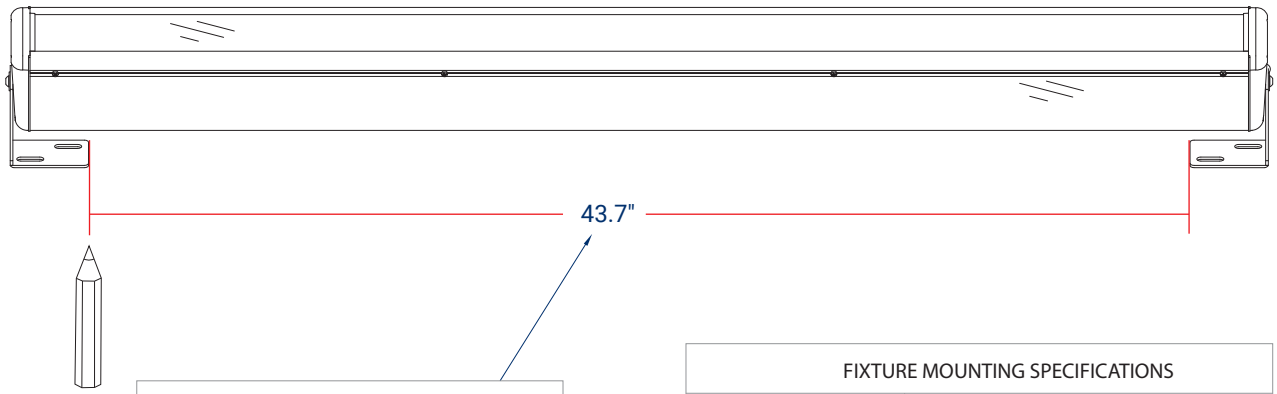
**ISOMETRIC / EXPLODED VIEW**



- (1) Cap Screw
- (2) Flat Washer
- (3) L Bracket
- (4) Omegalux® 1200 Fixture
- (5) Tooth Lock Washer

## 1 MEASURE AND MARK

· MEASURE AND MARK THE SURFACE ACCORDING TO THE "FIXTURE MOUNTING SPECIFICATIONS" CHART (BELOW) TO ENSURE ACCURATE PLACEMENT OF L BRACKET(S).

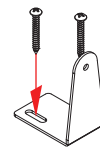
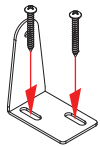


Example: 4' (nom) Fixture = 43.7" marked from inside edges of L Bracket(s).

FIXTURE MOUNTING SPECIFICATIONS	
Fixture Length (Nom)	Mounting Length (from inside edges)
2'	19.7"
3'	31.7"
4'	43.7"
8'	91.7"

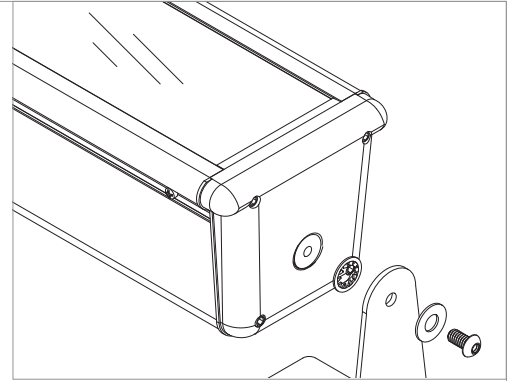
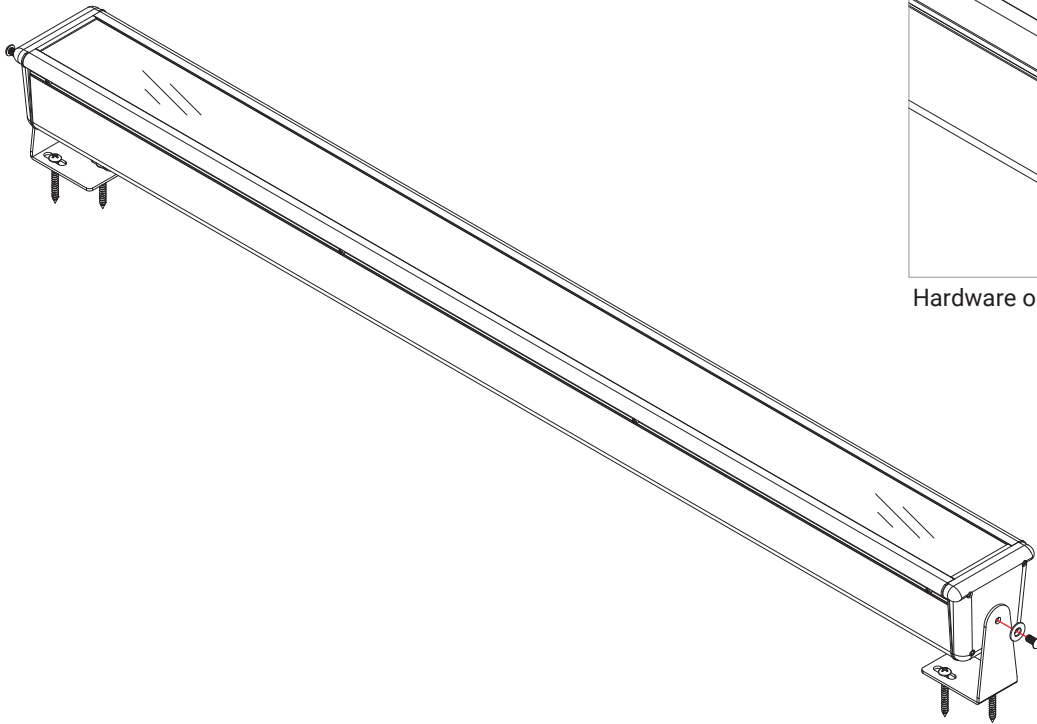
## 2 MOUNT L BRACKET(S)

· USING MOUNTING SCREW(S) (BY OTHERS), MOUNT THE L BRACKET(S) TO THE SURFACE UNTIL SECURE.



**3 MOUNT L BRACKET(S)**

- INSERT FIXTURE(S) IN BETWEEN THE SECURED L BRACKETS.
- INSERT WASHERS AND SCREWS IN THE CORRECT ORDER (SEE ILLUSTRATION).



Hardware order

**4 SELECT DESIRED ANGLE**

- ROTATE AND TILT THE FIXTURE INTO DESIRED DEGREE ANGLE AND TIGHTEN CAP SCREW(S) UNTIL SECURE.

