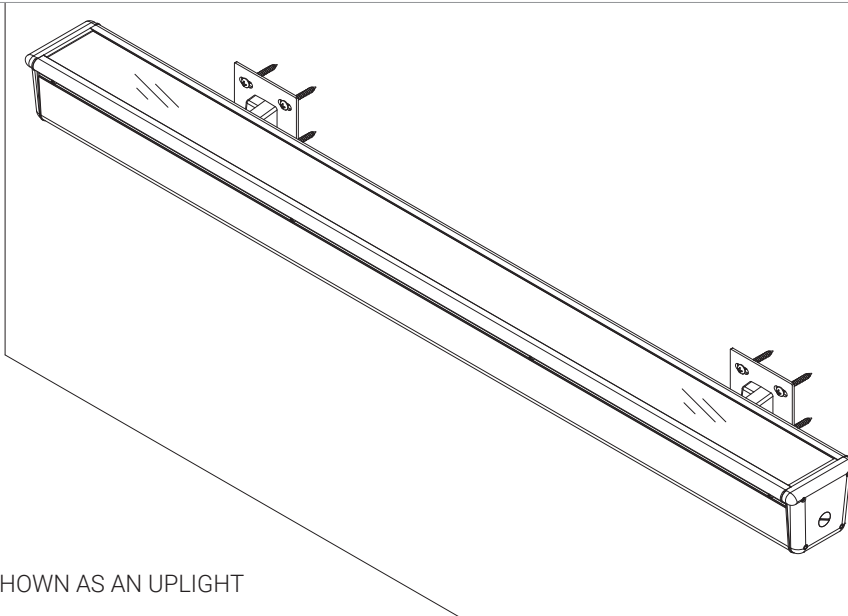


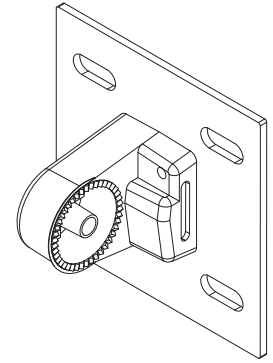


WARNING!

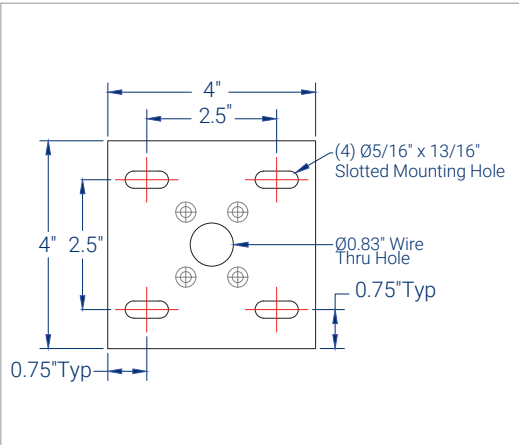
- READ THE PROVIDED INSTRUCTIONS PRIOR TO INSTALLING.
- INSTALLATION SHOULD BE CARRIED OUT BY QUALIFIED INSTALLERS.
- THE INSTALLER HAS THE FINAL RESPONSIBILITY FOR THE STRENGTH AND RIGIDITY OF THE WALL/CEILING STRUCTURE.
- A MINIMUM OF 2 PEOPLE REQUIRED WHEN INSTALLING LONG LENGTH FIXTURES.



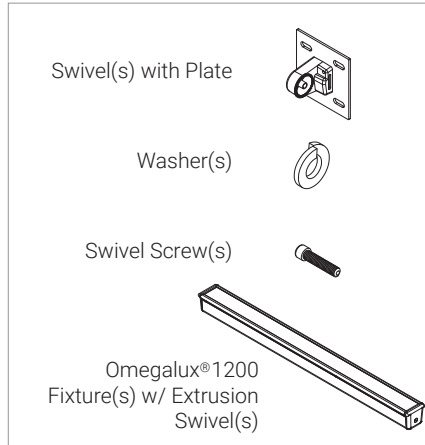
LUMINAIRE SHOWN AS AN UPLIGHT



MOUNT DIMENSIONS



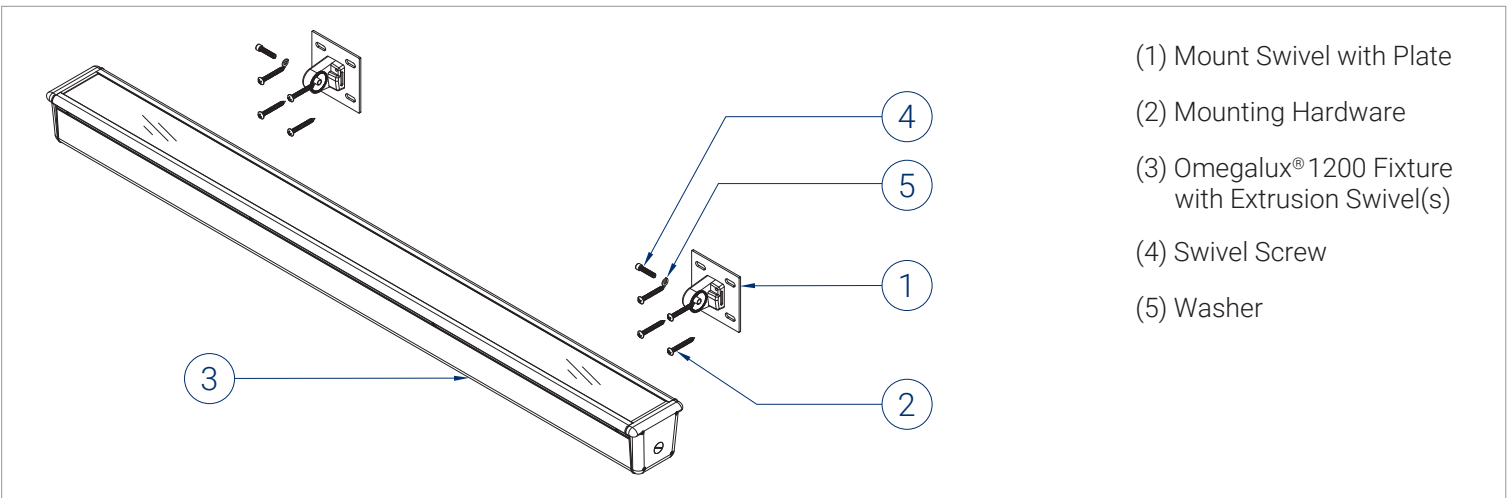
PACKAGE INCLUDES



ITEMS NEEDED (BY OTHERS)



ISOMETRIC VIEW



- (1) Mount Swivel with Plate
- (2) Mounting Hardware
- (3) Omegalux®1200 Fixture with Extrusion Swivel(s)
- (4) Swivel Screw
- (5) Washer

## 1 MOUNT SWIVEL PLATE(S) TO SURFACE

- MEASURE AND MARK THE SURFACE ACCORDING TO THE "FIXTURE MOUNTING SPECIFICATIONS" CHART (BELOW) TO ENSURE ACCURATE PLACEMENT OF SWIVEL MOUNT PLATE(S).
- BEFORE MOUNTING TO SURFACE, ENSURE STEP #2 IS COMPLETED FIRST.

| FIXTURE MOUNTING SPECIFICATIONS |                                     |
|---------------------------------|-------------------------------------|
| Fixture Length (Nom)            | Mounting Length (from inside edges) |
| 2'                              | CENTER                              |
| 3'                              | 20"                                 |
| 4'                              | 28"                                 |
| 8'                              | 60"                                 |

FRONT VIEW

## 2 FEED WIRE(S)

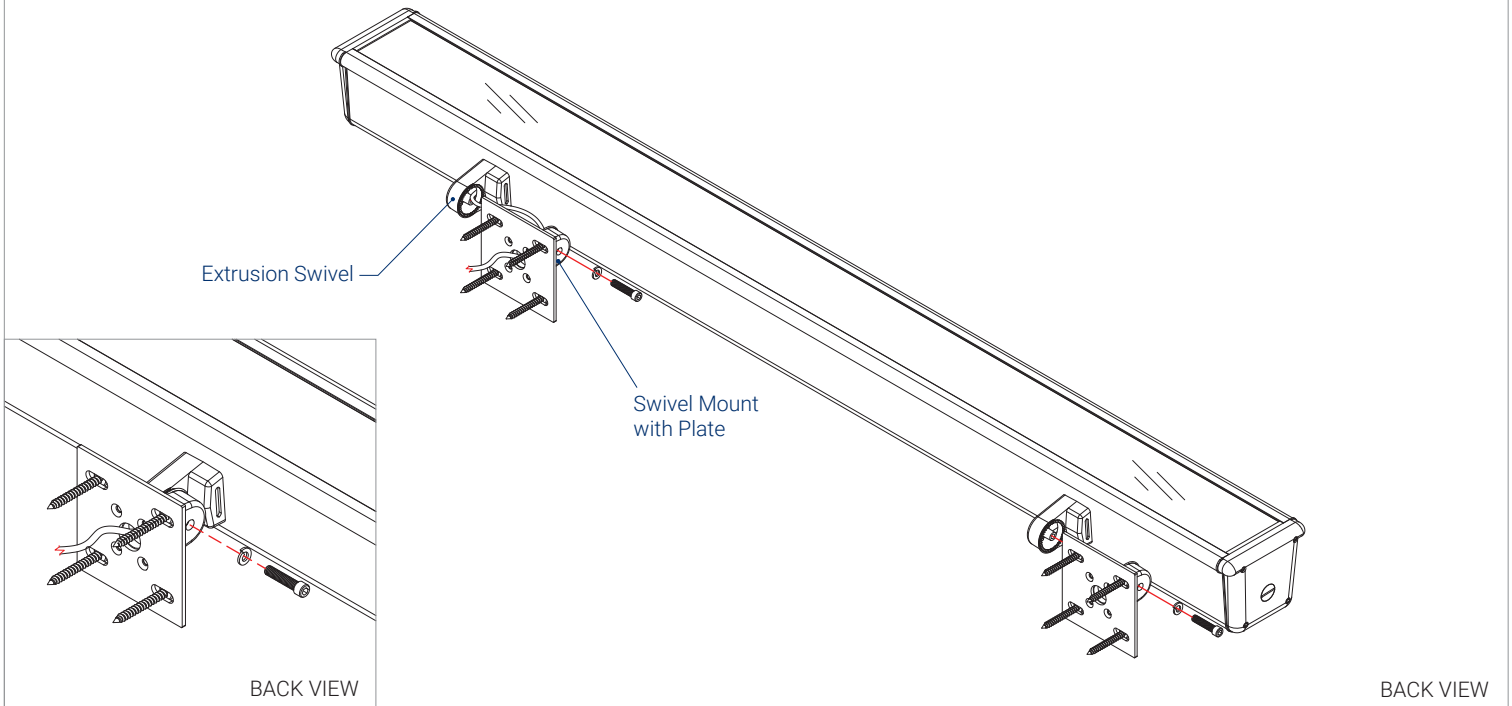
- FEED WIRE FROM EXTRUSION SWIVEL, INTO WIRE THRU HOLE ON THE SWIVEL MOUNT, AND OUT THROUGH THE WIRE THRU HOLE ON THE SWIVEL MOUNT PLATE

BACK VIEW

BACK VIEW

**3 ATTACH SWIVEL(S)**

- ATTACH EXTRUSION SWIVEL(S) ONTO MOUNT SWIVEL(S) WITH PLATE.
- USE THE SWIVEL SCREW(S) AND WASHER(S) TO LOOSELY ATTACH THE MOUNT(S) TOGETHER.
- THE WASHER PRECEDES THE SCREW (SEE ILLUSTRATION).

**4 SELECT DESIRED ANGLE**

- ROTATE AND TILT THE FIXTURE INTO DESIRED DEGREE ANGLE AND TIGHTEN SWIVEL SCREW(S).

