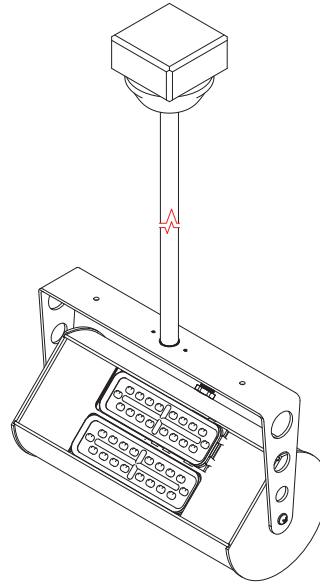




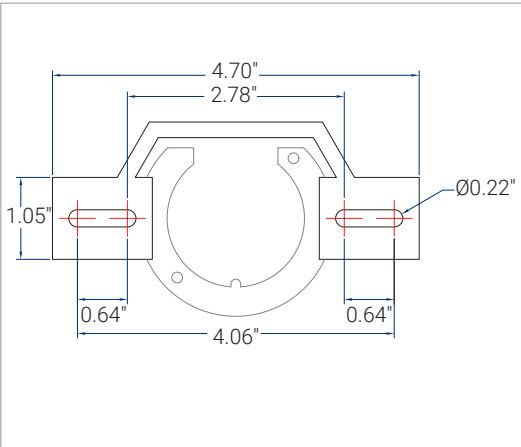
WARNING!

- READ THE PROVIDED INSTRUCTIONS PRIOR TO INSTALLING.
- INSTALLATION SHOULD BE CARRIED OUT BY QUALIFIED INSTALLERS.
- THE INSTALLER HAS THE FINAL RESPONSIBILITY FOR THE STRENGTH AND RIGIDITY OF THE WALL/CEILING STRUCTURE.
- A MINIMUM OF 2 PEOPLE REQUIRED WHEN INSTALLING LONG LENGTH FIXTURES.

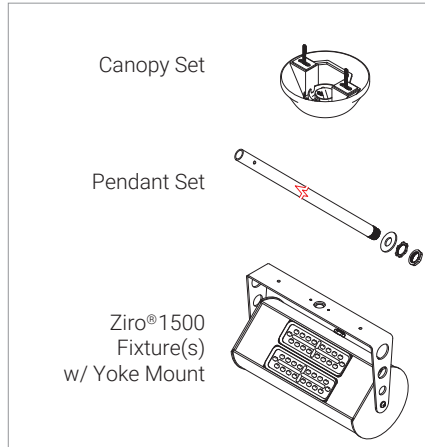


LUMINAIRE SHOWN AS AN UPLIGHT

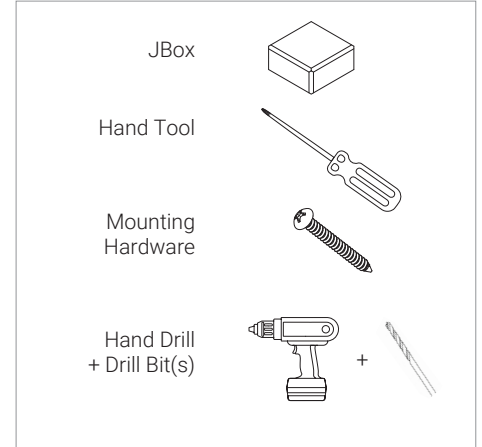
MOUNT DIMENSIONS



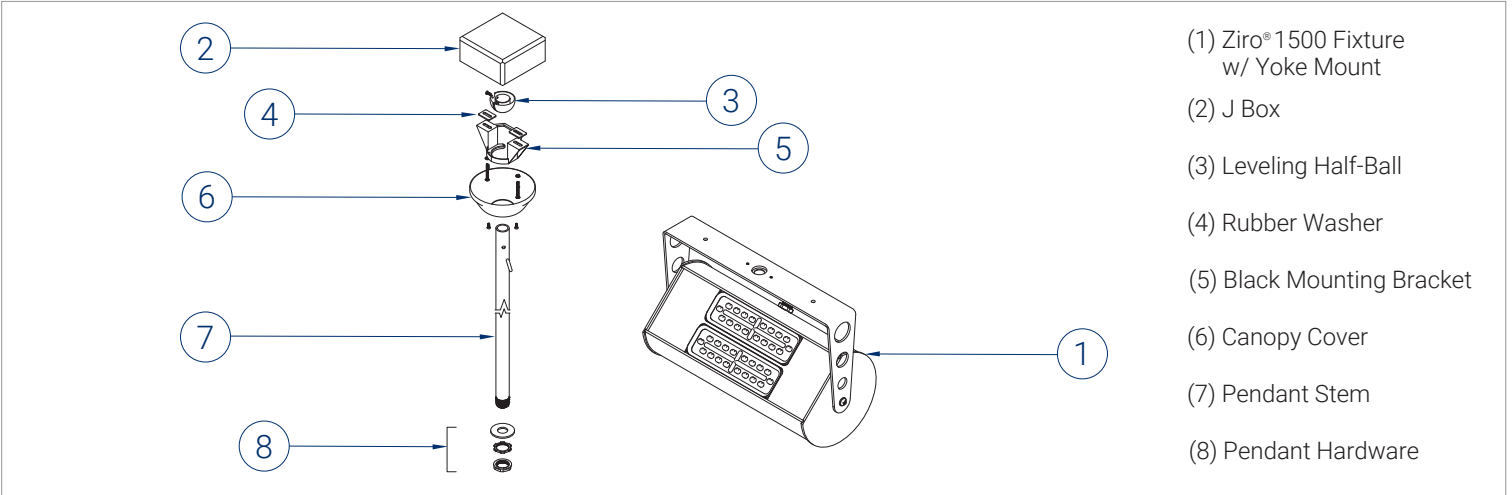
PACKAGE INCLUDES



ITEMS NEEDED (BY OTHERS)

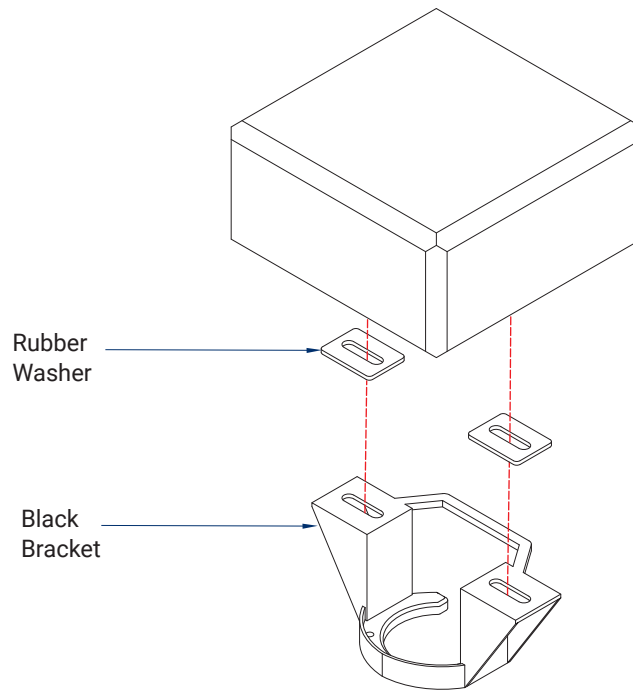


ISOMETRIC VIEW

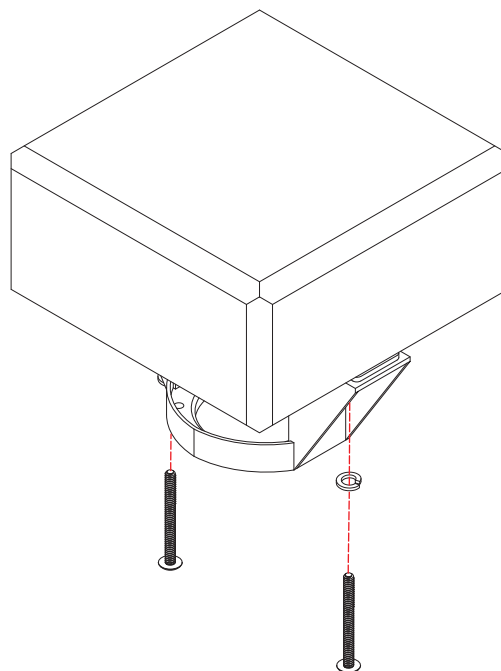


1 INSERT RUBBER WASHERS

- TURN OFF CIRCUIT BREAKER.
- PLACE RUBBER WASHER BETWEEN CEILING JBOX AND BLACK MOUNTING BRACKET.

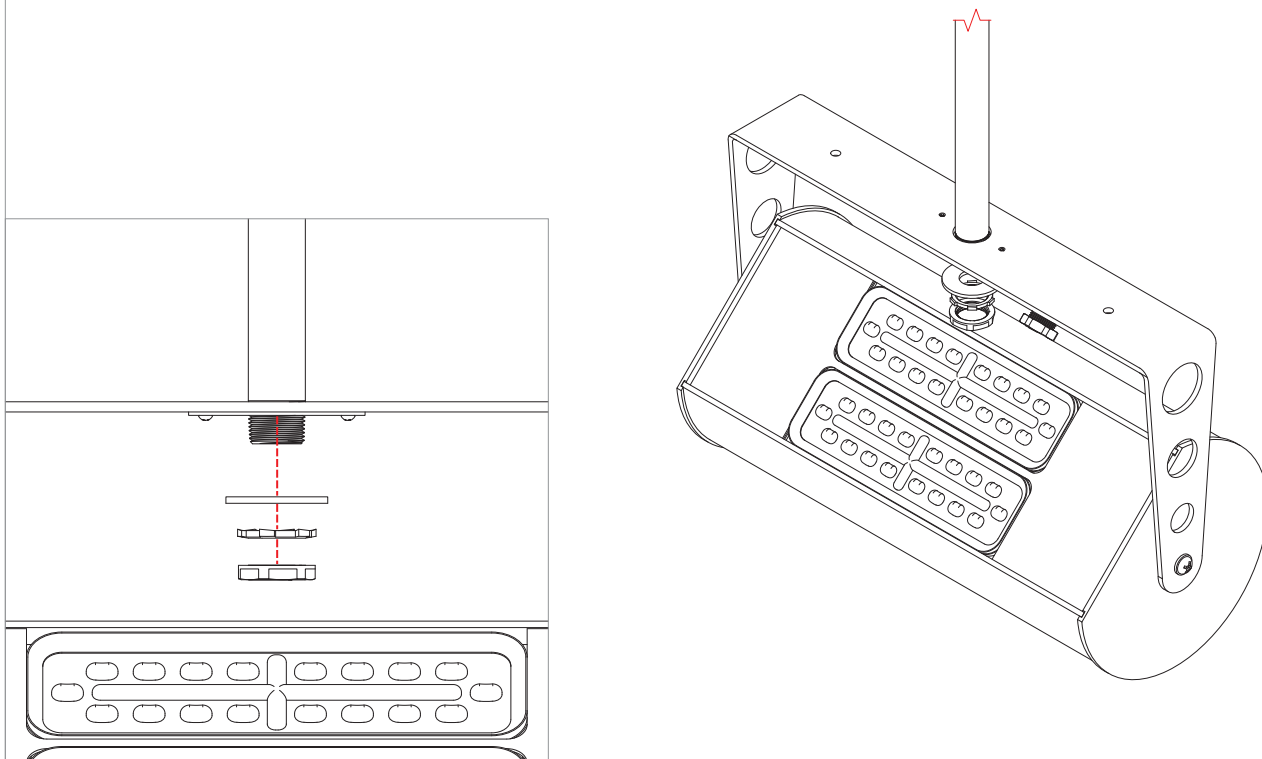
**2 ALIGN HOLES AND SECURE BRACKET TO JBOX**

- ALIGN HOLES AND SECURE BRACKET TO JBOX USING 1-1/2 MACHINE SCREWS AND WASHER (SUPPLIED).

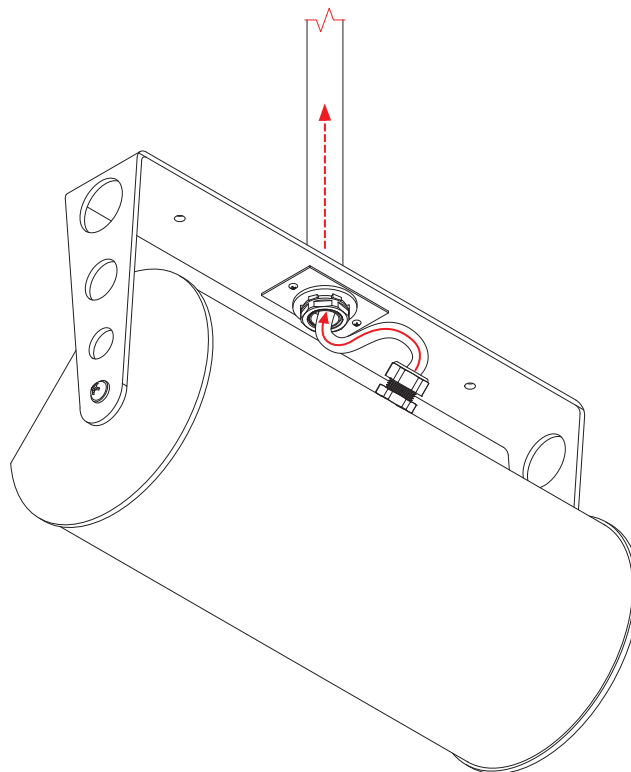


3 SECURE STEM

- SECURE PENDANT STEM BY TIGHTENING HARDWARE USING LOCKNUT, LOCATED UNDER PENDANT STEM.

**4 FEED POWER CORD**

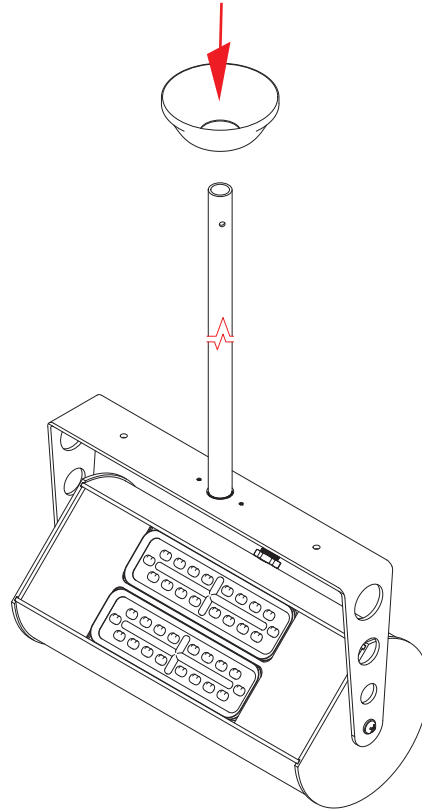
- FEED POWER CORD THROUGH LOCK & NUT WASHER, THEN THROUGH THE STEM.



BACK VIEW

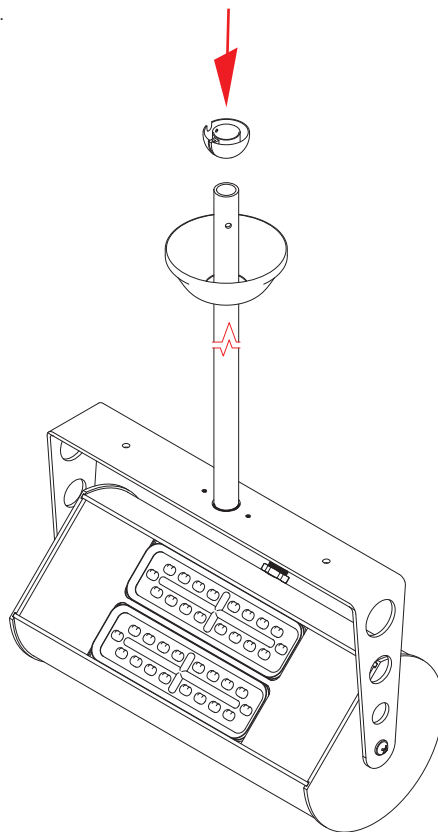
5 INSERT CANOPY COVER

- INSERT CANOPY COVER ONTO PENDANT STEM.



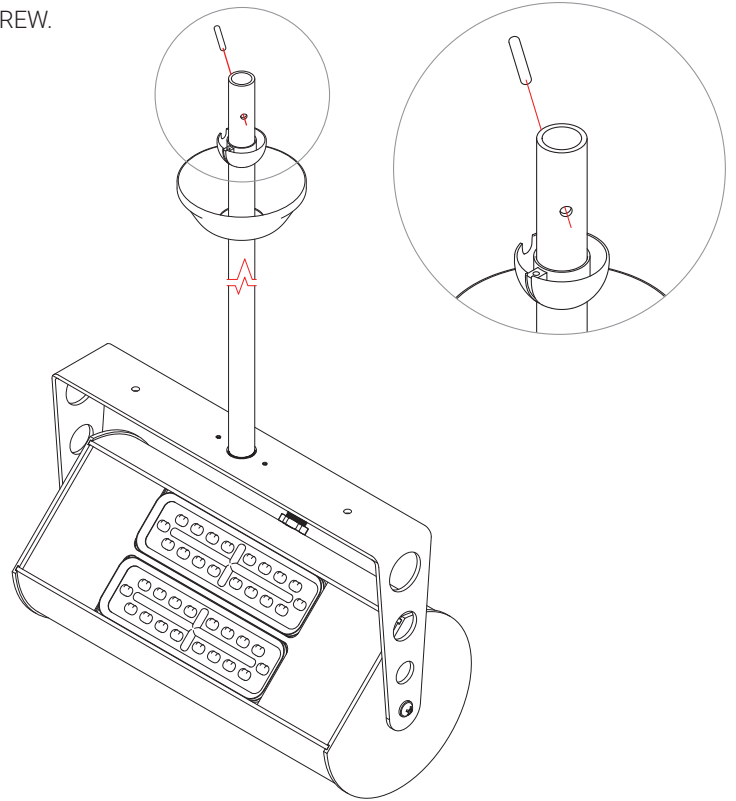
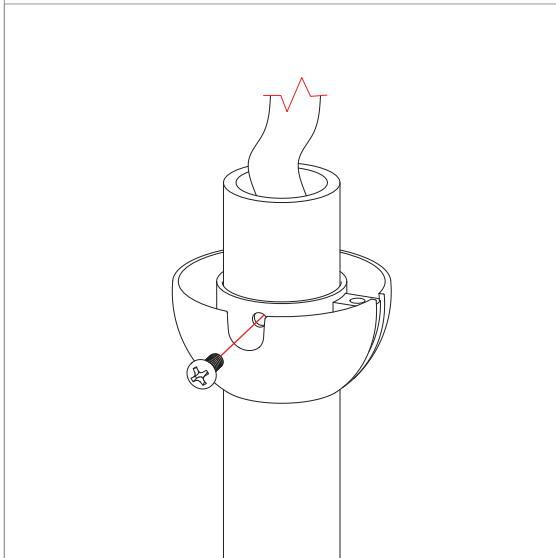
6 INSERT LEVELING HALF-BALL

- SLIDE LEVELING HALF-BALL ONTO PENDANT STEM.



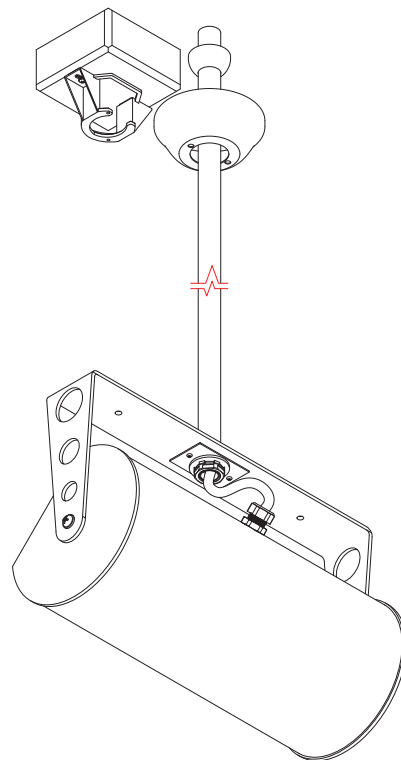
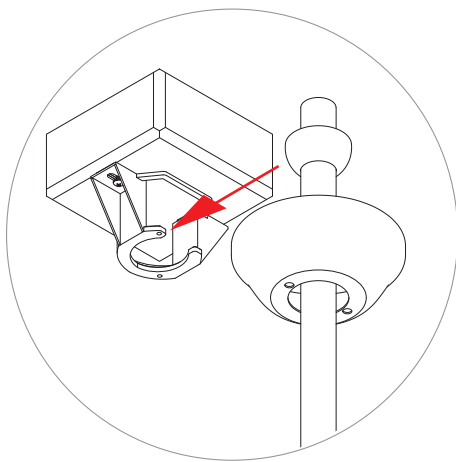
7 SECURE LEVELING HALF-BALL

- INSERT PIN INTO PENDANT STEM.
- SLIDE UP THE LEVELING HALF-BALL, THEN SECURE WITH SET SCREW.



8 SELECT DESIRED ANGLE

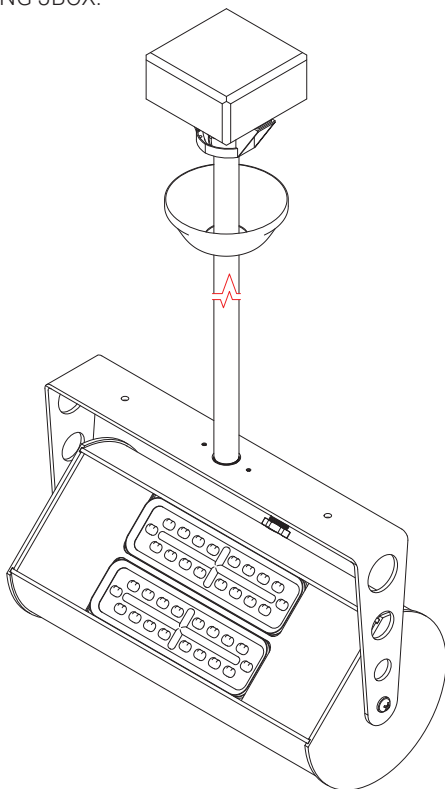
- LIFT ZIRO 1500 FIXTURE WITH PENDANT AND INSERT PENDANT STEM/LEVELING HALF-BALL ONTO BLACK MOUNTING BRACKET.



BACK VIEW

9 MAKE WIRE CONNECTIONS

- MAKE PROPER WIRE CONNECTIONS IN CEILING JBOX.

**10 PLACE CANOPY COVER AND SECURE**

- PLACE CANOPY COVER INTO PROPER POSITION OVER BLACK MOUNTING BRACKET AND SECURE WITH SCREWS.

