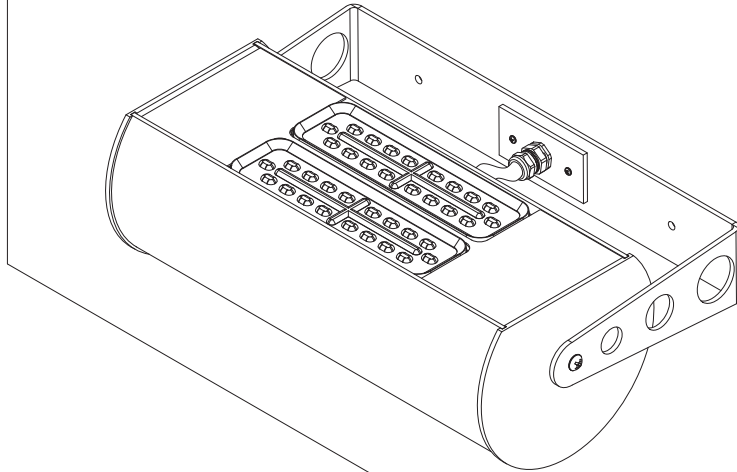


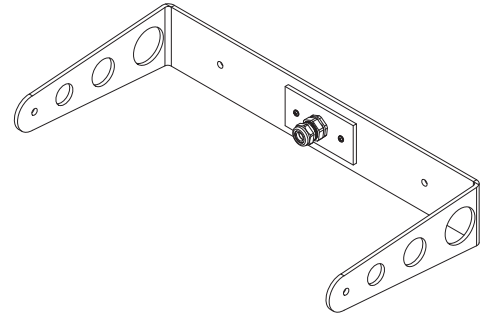


WARNING!

- READ THE PROVIDED INSTRUCTIONS PRIOR TO INSTALLING.
- INSTALLATION SHOULD BE CARRIED OUT BY QUALIFIED INSTALLERS.
- THE INSTALLER HAS THE FINAL RESPONSIBILITY FOR THE STRENGTH AND RIGIDITY OF THE WALL/CEILING STRUCTURE.
- A MINIMUM OF 2 PEOPLE REQUIRED WHEN INSTALLING LONG LENGTH FIXTURES.

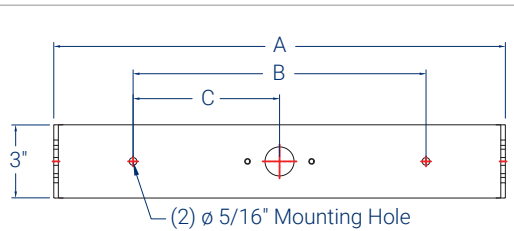


LUMINAIRE SHOWN AS AN UPLIGHT



* 24" FIXTURE WILL HAVE (2) SWIVEL MOUNTS

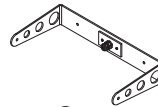
MOUNT DIMENSIONS



A	B	C
14.5"	9.0"	4.5"
18.5"	12.0"	6.0"
24.5"	12.0"	6.0"

PACKAGE INCLUDES

Yoke Mount(s)
w/ Cord Grip



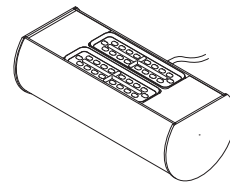
Yoke Washer(s)



Yoke Screw(s)

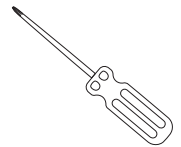


Ziro®1500
Fixture(s)



ITEMS NEEDED (BY OTHERS)

Hand Tool



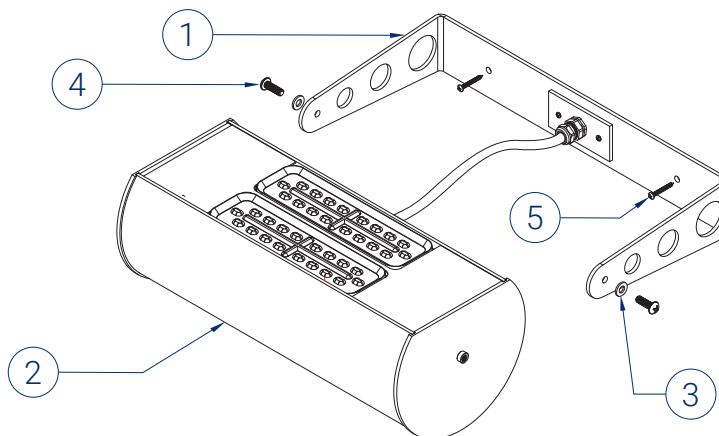
Mounting
Hardware



Hand Drill
+ Drill Bit(s)



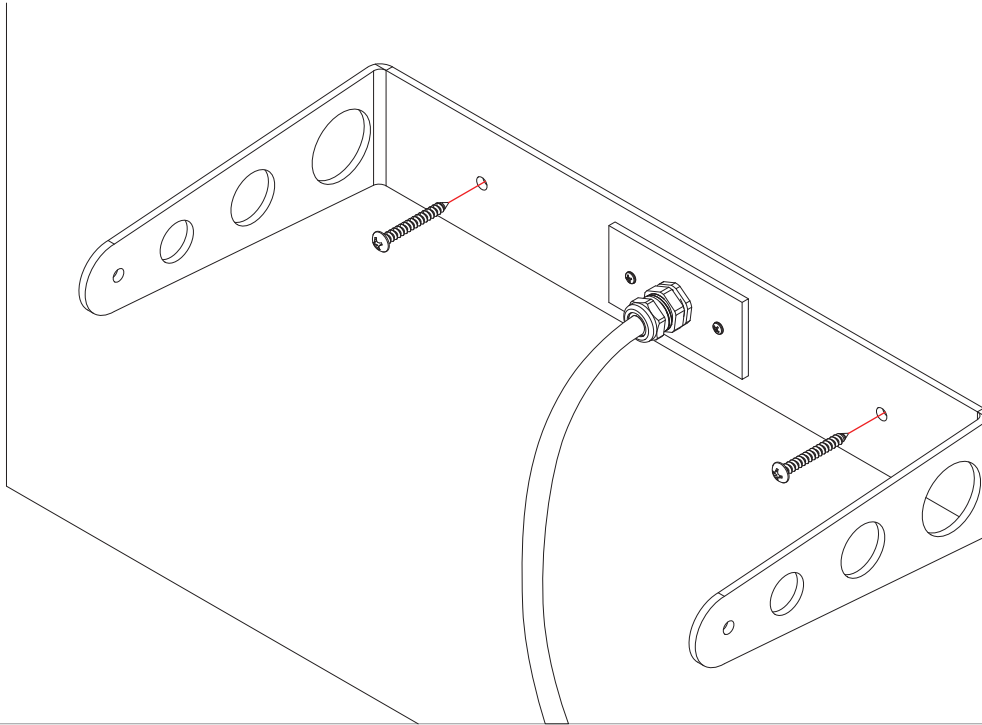
ISOMETRIC VIEW



- (1) Yoke Mount w/ Cord Grip
- (2) Ziro® 1500 Fixture
- (3) Yoke Washer
- (4) Yoke Screw
- (5) Mounting Hardware (by others)

1 MOUNT YOKE MOUNT(S) TO SURFACE

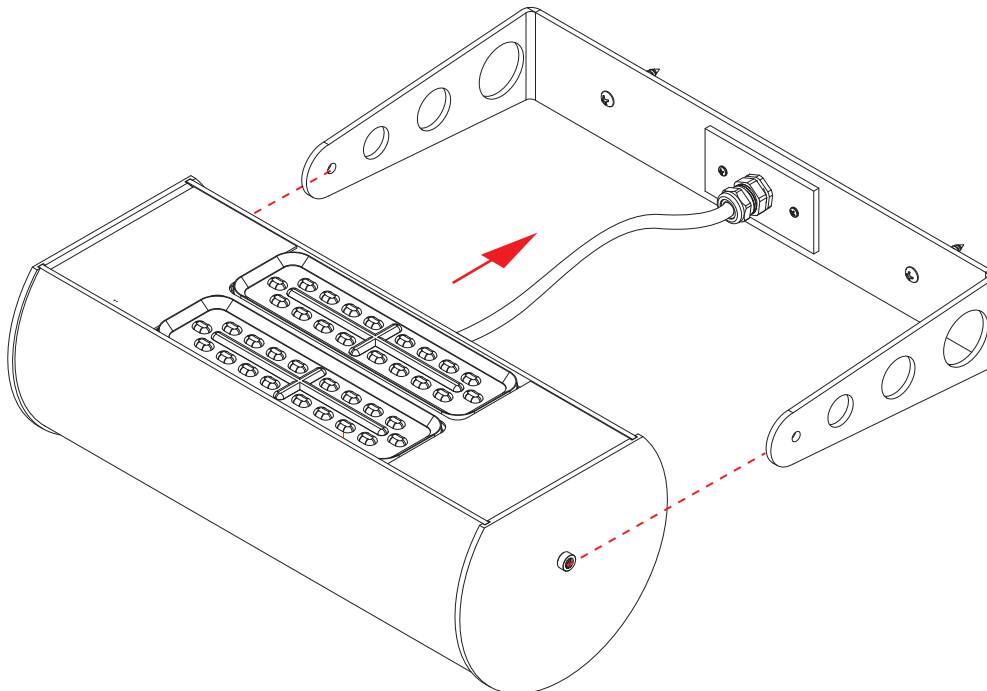
- INSERT MOUNTING HARDWARE THROUGH THE MOUNTING HOLES ONTO DESIRED SURFACE UNTIL SECURE.



FRONT VIEW

2 INSERT FIXTURE(S)

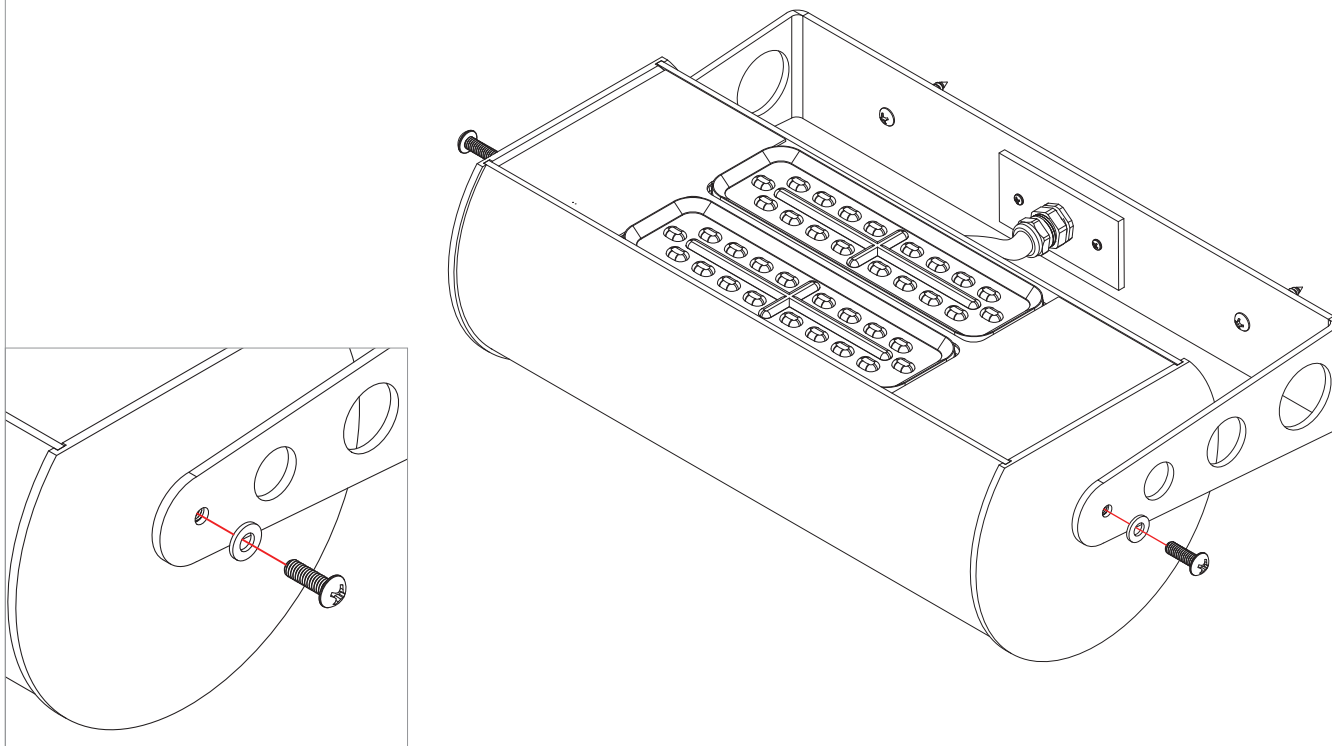
- INSERT FIXTURE(S) IN BETWEEN THE YOKE MOUNT.



FRONT VIEW

3 INSERT HARDWARE

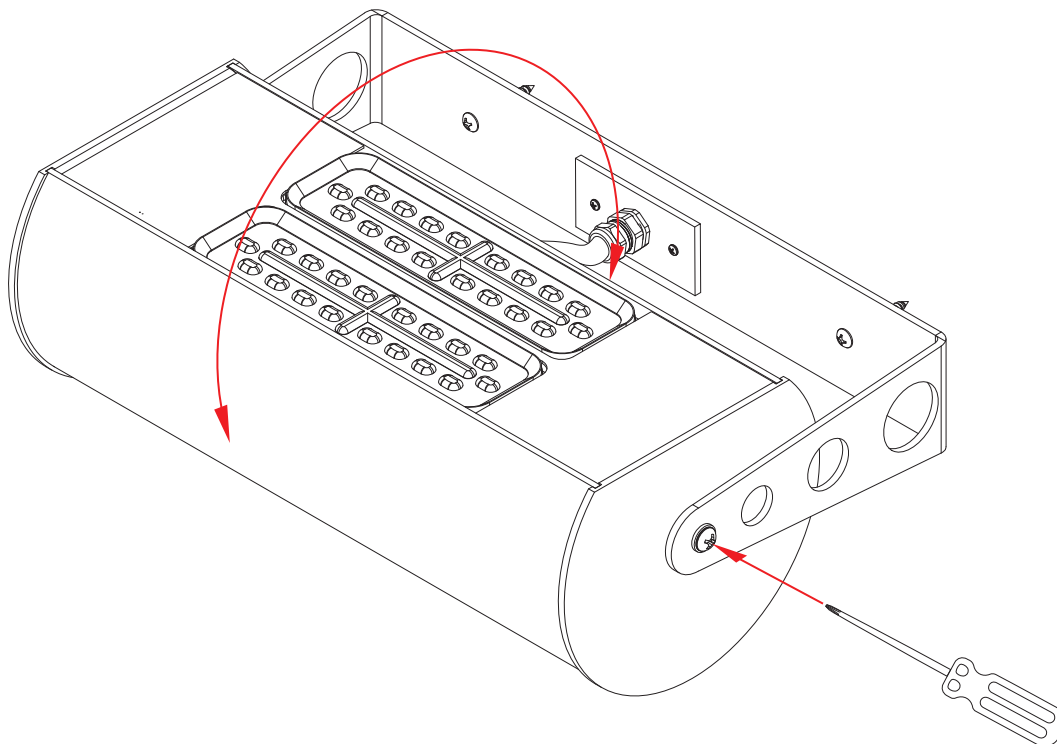
- INSERT YOKE WASHER(S) AND YOKE SCREW(S) AS SHOWN.



FRONT VIEW

4 SELECT DESIRED ANGLE

- ROTATE AND TILT THE FIXTURE INTO DESIRED DEGREE ANGLE AND TIGHTEN SWIVEL SCREW(S).



FRONT VIEW