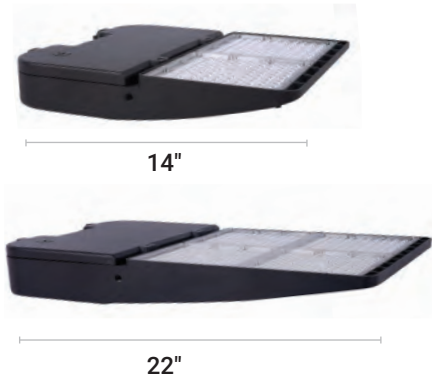


Leaf 3650

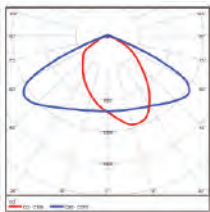
Indirect or Wallwash LED

120-277VAC | IP66

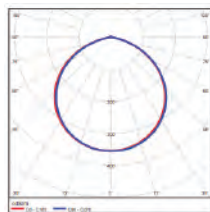
Project
Date



STANDARD FORWARD THROW



OPTIONAL WIDE FORWARD THROW



CCT	30K, 35K, 40K, 50K								
Length	14"					22"			
LED Output	L25	L50	L75	L100	L150	L160	L190	L240	L320
Wattage	25W	50W	75W	100W	150W	160W	190W	240W	320W
Lumens	3,500	7,000	10,500	14,000	21,000	22,400	26,600	33,600	44,800
Weight	8 lbs					16 lbs			

DESCRIPTION

The Leaf wall mounting series is designed for outstanding direct or indirect lighting from two matching low profile curved slim designs, 14 and 22 inches long. Leaf uses high performance LEDs with forward throw optic for superior distribution and evenness. Providing energy efficiency, long life and consistent color.

FEATURES

Construction Durable Die-Cast Aluminum Housing. Stainless Steel Hardware. High impact protective lens.

Dimensions (LxWxH) 14"x12"x2.6" / 22"x12"x2.67"

CCT 3000K, 3500K, 4000K, 5000K

Dimming Non-dimming, 0-10V Dimming

Optics Standard Forward Throw or Optional Wide Forward Throw Rotatable Lenses (Every 90°)

Mounting Flush Mount, Yoke Mount, 4" Swivel Mount, Extended Arm, Pendant Mount (Single, Double).

Finish Epoxy Powder Coated White, Bronze, Custom

PERFORMANCE

Electrical 120-277V AC / 277-480V AC Input line voltage

LED Wattage 25W, 50W, 75W, 100W, 150W, 160W, 190W, 240W, 320W

Environment IP66 - Suitable for Wet Locations. Natatorium - Marine Grade Finish
Operating Temperature - 40°F to 122°F

Warranty 5 yr / 50,000 hour limited warranty

CRI 80+

Certifications UL Listed, DLC Premium Certified

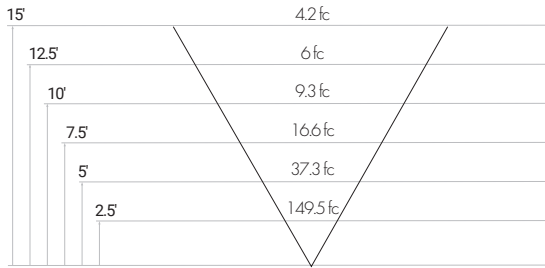
ORDERING GUIDE Make selections by filling out the top row or highlighting options.

3650								
SERIES	LENGTH	OUTPUT	CCT	VOLTAGE	CONTROL	MOUNTING	FINISH	ACCESSORY
3650	14"	L25 25W L50 50W L75 75W L100 100W L150 150W	30 3000K 35 3500K 40 4000K 50 5000K	U 120-277V U2 277-480V	ND NON DIMMING D1 0-10V DIMMING	BF FLUSH MOUNT YK YOKE MOUNT B4 4" SWIVEL MOUNT Ax* EXTENDED ARM X PSx* PENDANT SINGLE X PDx* PENDANT DOUBLE X CU CUSTOM MOUNT	WH WHITE BZ BRONZE CU CUSTOM	G GLARE SHIELD M MARINE GRADE FINISH 2 NATATORIUM E EMERGENCY DRIVER (remote location) W WIDE OPTIC N NONE
	22"	L160 160W L190 190W L240 240W L320 320W				X=STEM LENGTH (IN INCHES)		

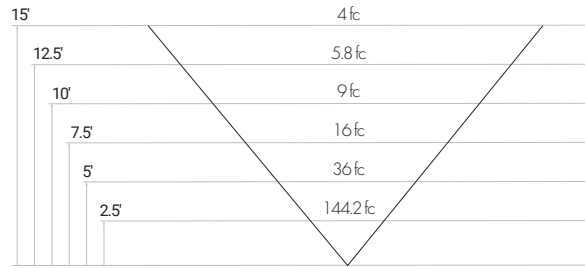
Specifications sheets are subject to change without notification.

PHOTOMETRICS

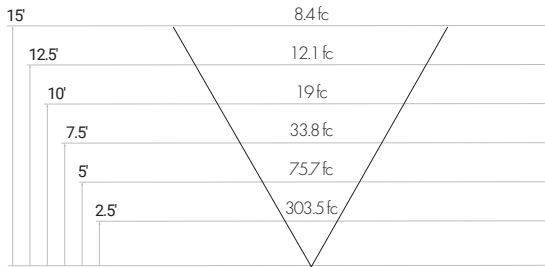
25 WATT - FORWARD THROW



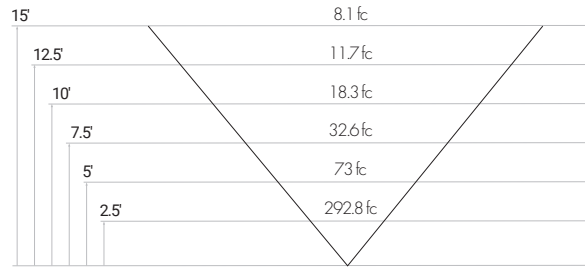
25 WATT - WIDE FORWARD THROW



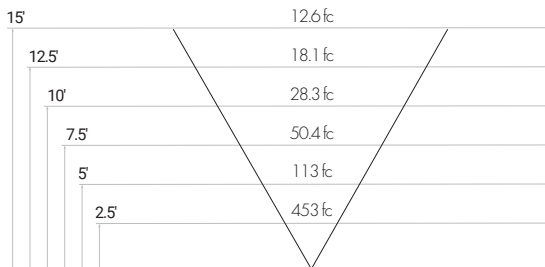
50 WATT - FORWARD THROW



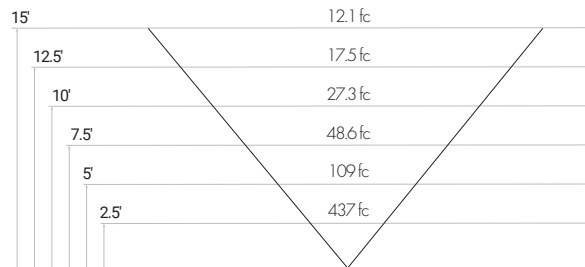
50 WATT - WIDE FORWARD THROW



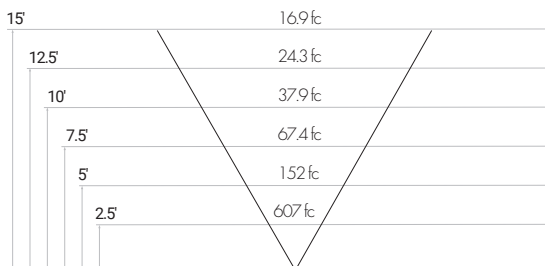
75 WATT - FORWARD THROW



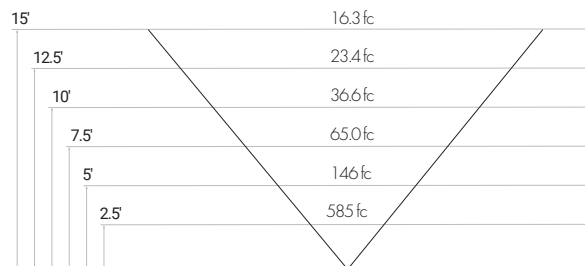
75 WATT - WIDE FORWARD THROW



100 WATT - FORWARD THROW



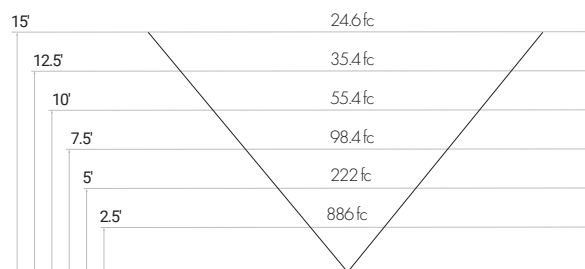
100 WATT - WIDE FORWARD THROW



150 WATT - FORWARD THROW

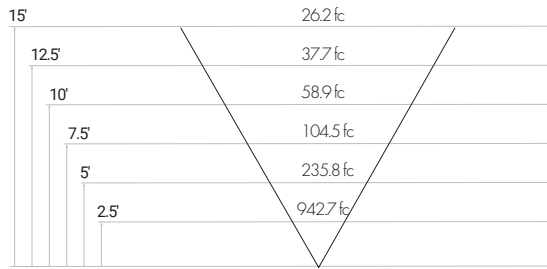


150 WATT - WIDE FORWARD THROW

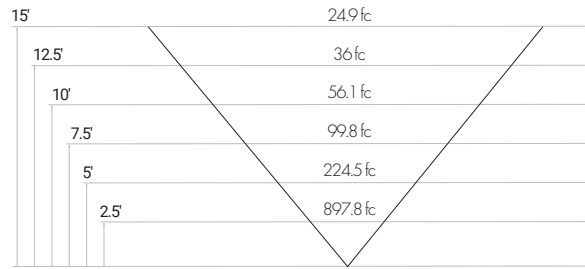


PHOTOMETRICS

160 WATT - FORWARD THROW



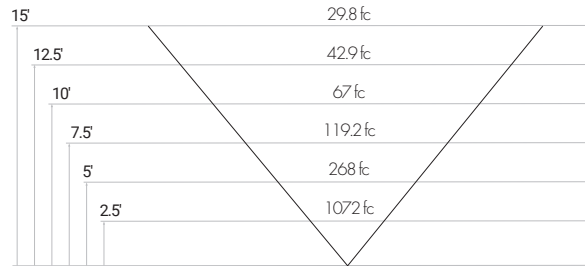
160 WATT - WIDE FORWARD THROW



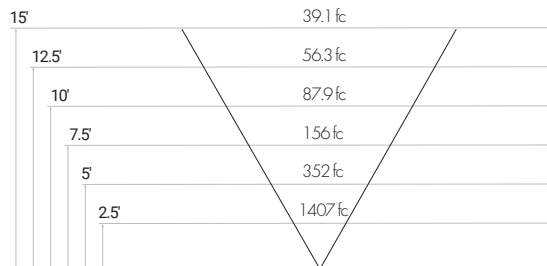
190 WATT - FORWARD THROW



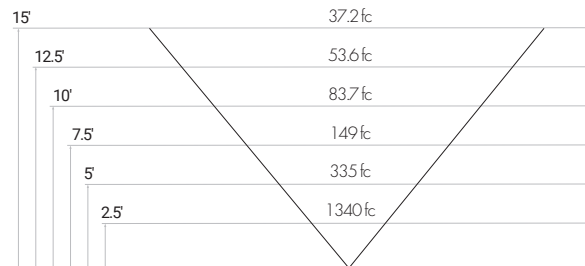
190 WATT - WIDE FORWARD THROW



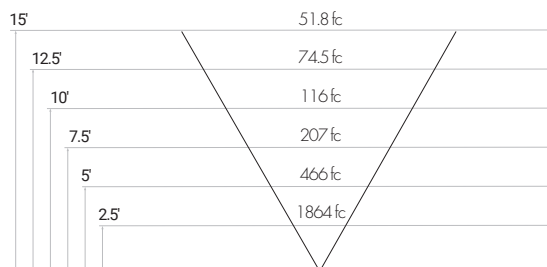
240 WATT - FORWARD THROW



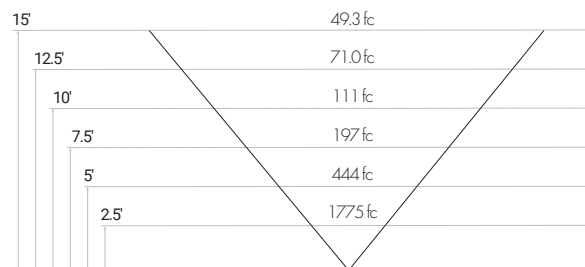
240 WATT - WIDE FORWARD THROW



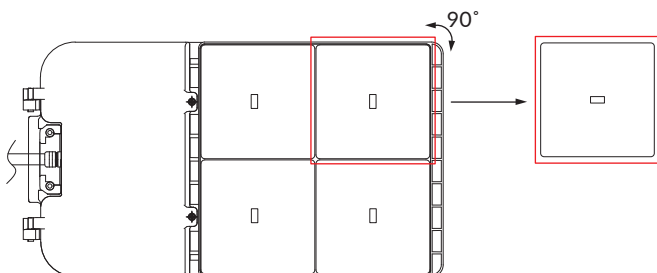
320 WATT - FORWARD THROW



320 WATT - WIDE FORWARD THROW



ADJUSTABLE LENS ANGLE

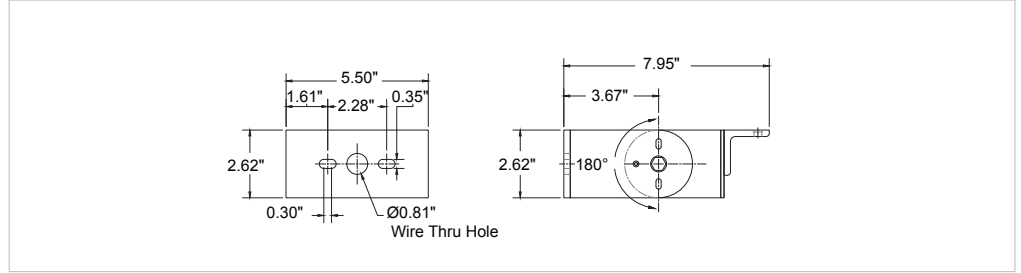
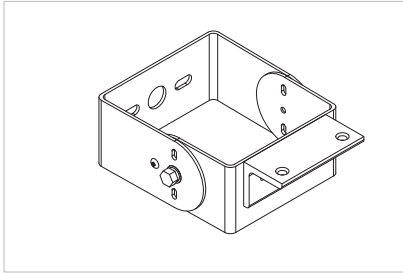


Each lens can be rotated 90°. You can adjust angle according to your requirement.

MOUNTING OPTIONS AND ACCESSORIES

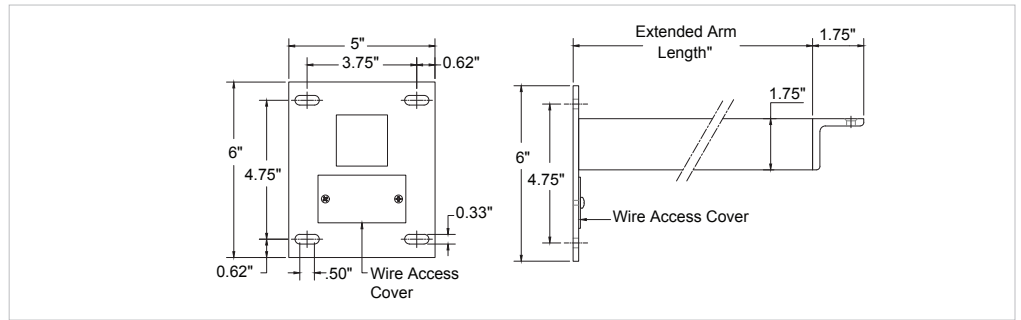
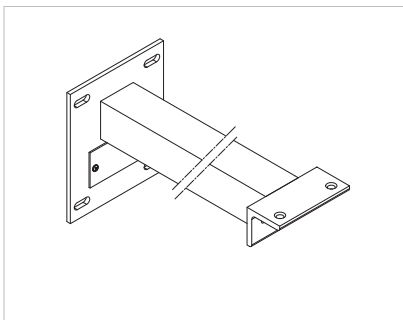
B4 4" Swivel Mount

A heavy duty adjustable mounting bracket with locking bolts.



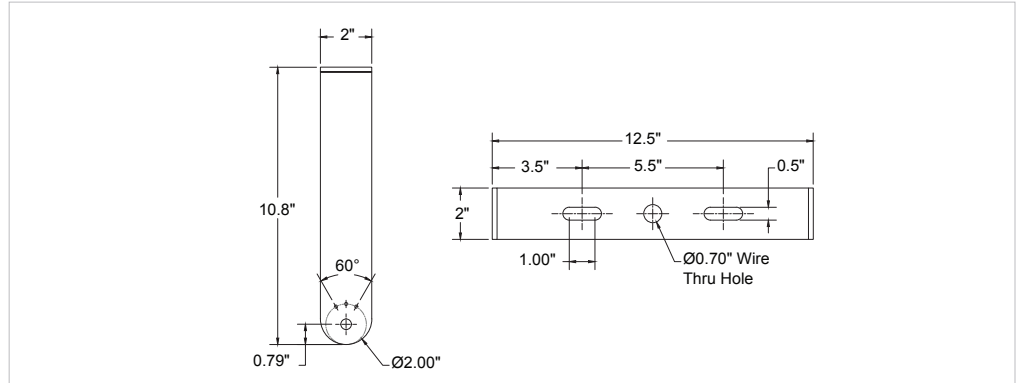
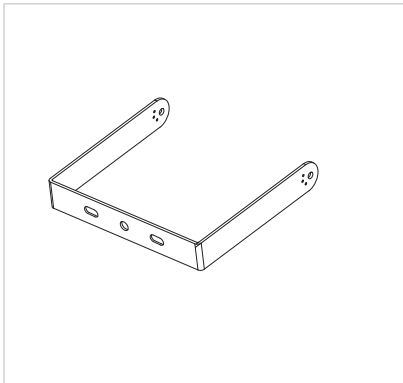
Ax Extended Arm

Available in 4"-36" lengths. Power cords are routed through arms, exiting close to the wall to connect to an adjacent j-box or other power outlet, providing a tidy installation.



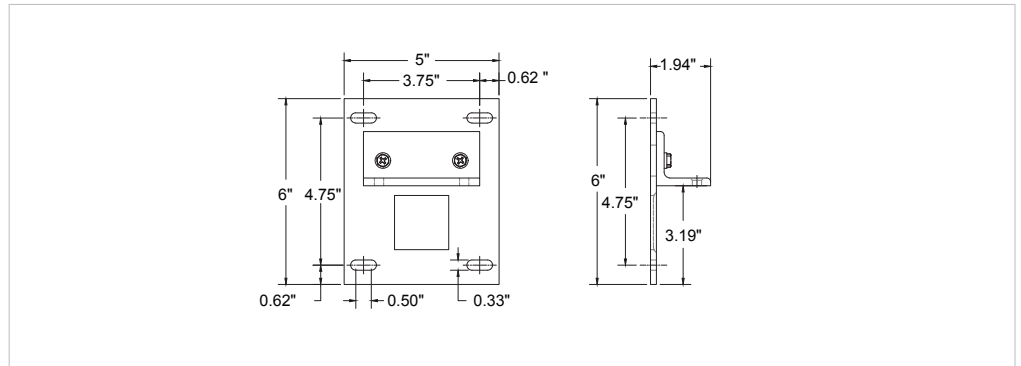
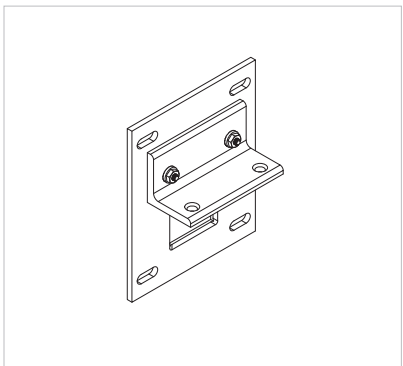
YK Yoke Mount

Implements rotary mechanics to the luminaire enables directional adjustment simplicity. Mounts to structure cover via (2) 1/4" screws.



BF Flush Mount

Standard mounting with back plate.

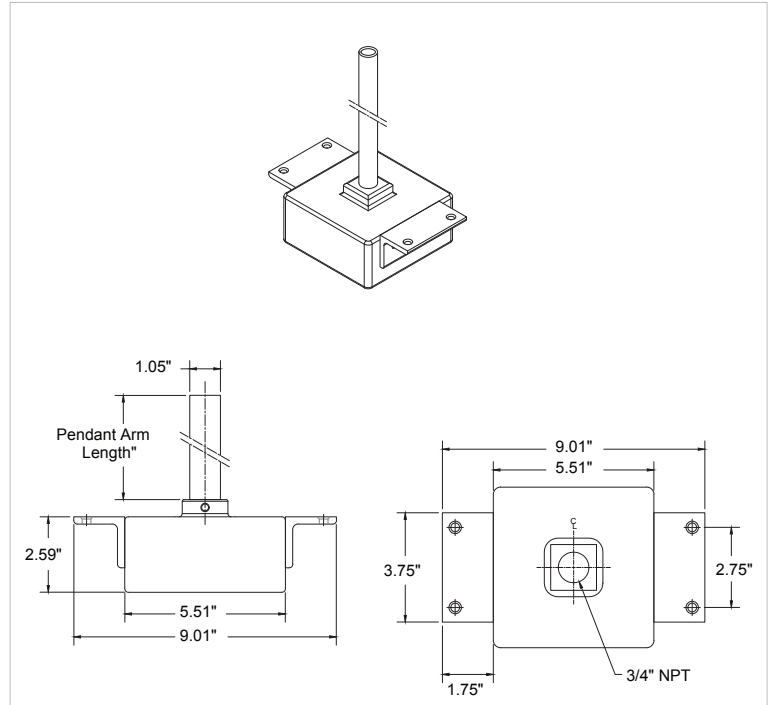
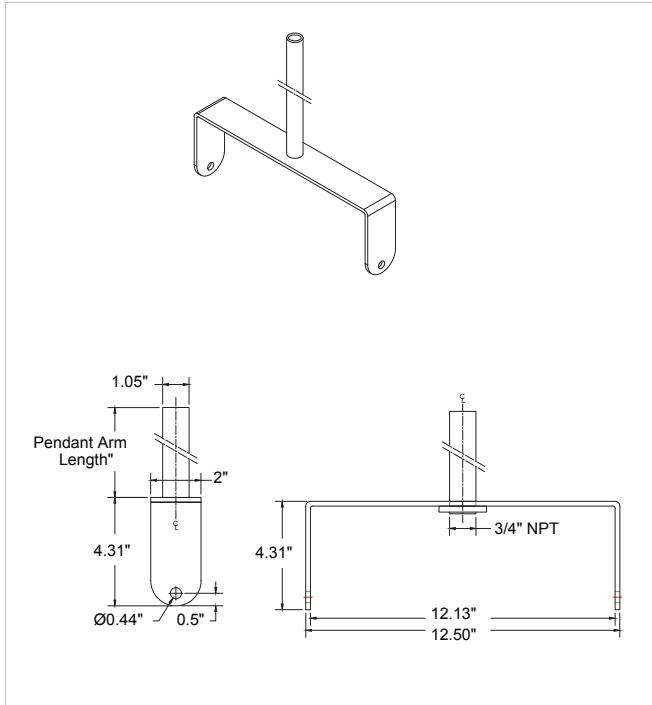


Specifications sheets are subject to change without notification.

ACCESSORIES

PS36, PD36 Single, Double Pendant Mount

Available for single and double fixtures. Standard 36" stems. Fixtures are designed to be mounted above 6' 4".



ACCESSORIES

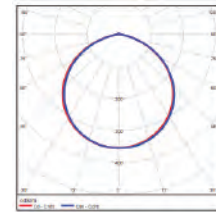
G Glare Shield

Minimizes a direct glare, while maintaining the LED output



W Wide Optic

Wide forward throw lens



ADD-ONS

Surge Protection



Part # 3650LEDSP10KU
(Surge Protection 10KV 120-277V)



Part # 3650LEDSP20KU
(Surge Protection 20KV 120-277V)



Part # 3650LEDSP20KU2
(Surge Protection 20KV 347-480V)

Dusk to Dawn Photocell



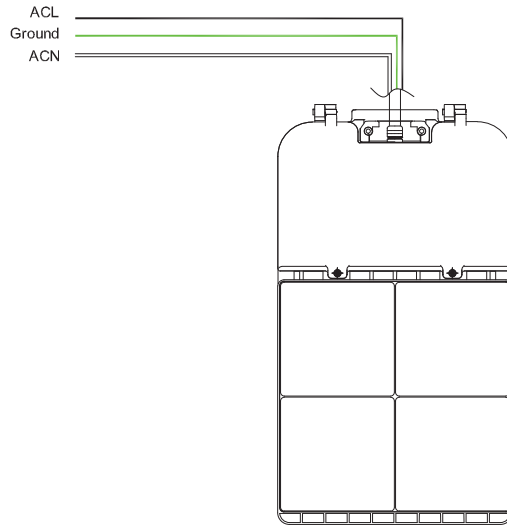
Part # 3650LEDPH
(Twist Lock Photocell & Receptacle 120-277V)

Specifications sheets are subject to change without notification.

Leaf 3650

ELECTRICAL DETAILS

Non-Dimming | 3 Wire



BLACK	WHITE	GREEN
POWER +	NEUTRAL -	GROUND

0-10V Dimming | 5 Wire

BLACK	WHITE	GREEN	PURPLE	GREY
POWER +	NEUTRAL -	GROUND	DIM +	DIM -

