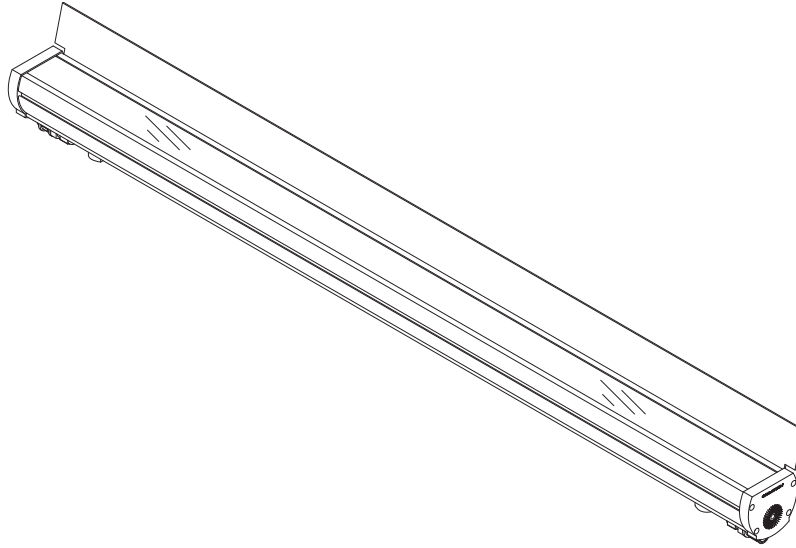


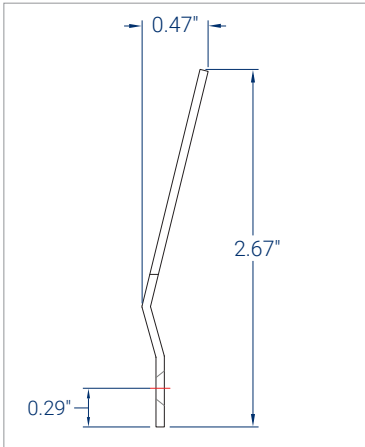


WARNING!

- READ THE PROVIDED INSTRUCTIONS PRIOR TO INSTALLING.
- INSTALLATION SHOULD BE CARRIED OUT BY QUALIFIED INSTALLERS.
- THE INSTALLER HAS THE FINAL RESPONSIBILITY FOR THE STRENGTH AND RIGIDITY OF THE WALL/CEILING STRUCTURE.
- A MINIMUM OF 2 PEOPLE REQUIRED WHEN INSTALLING LONG LENGTH FIXTURES.



MOUNT DIMENSIONS



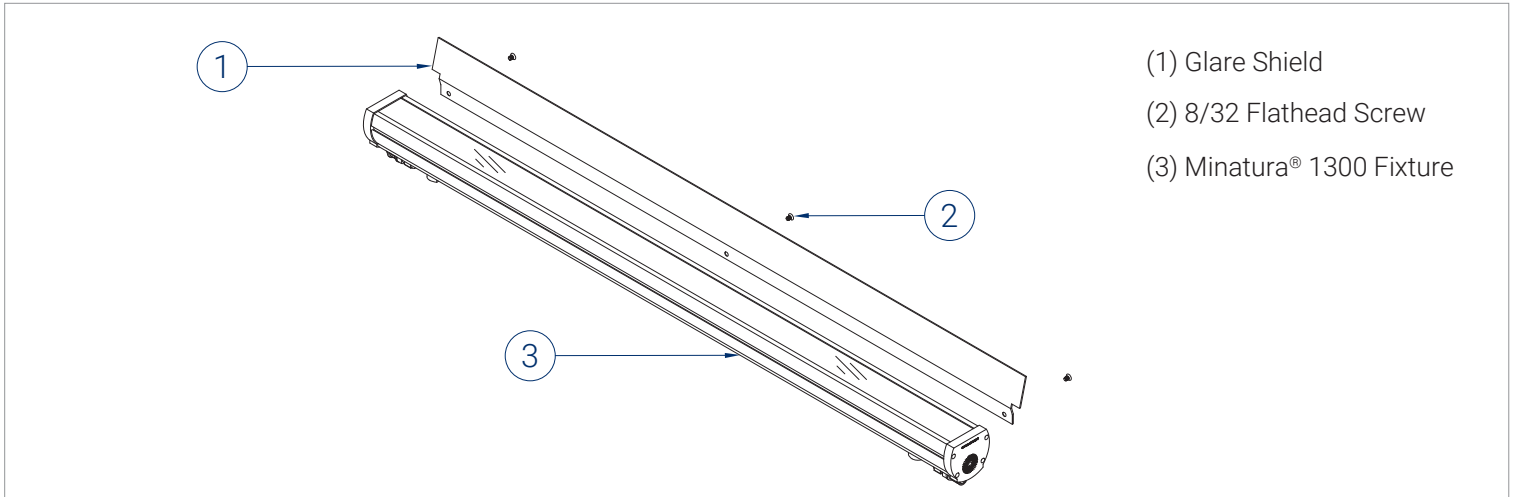
PACKAGE INCLUDES



ITEMS NEEDED (BY OTHERS)



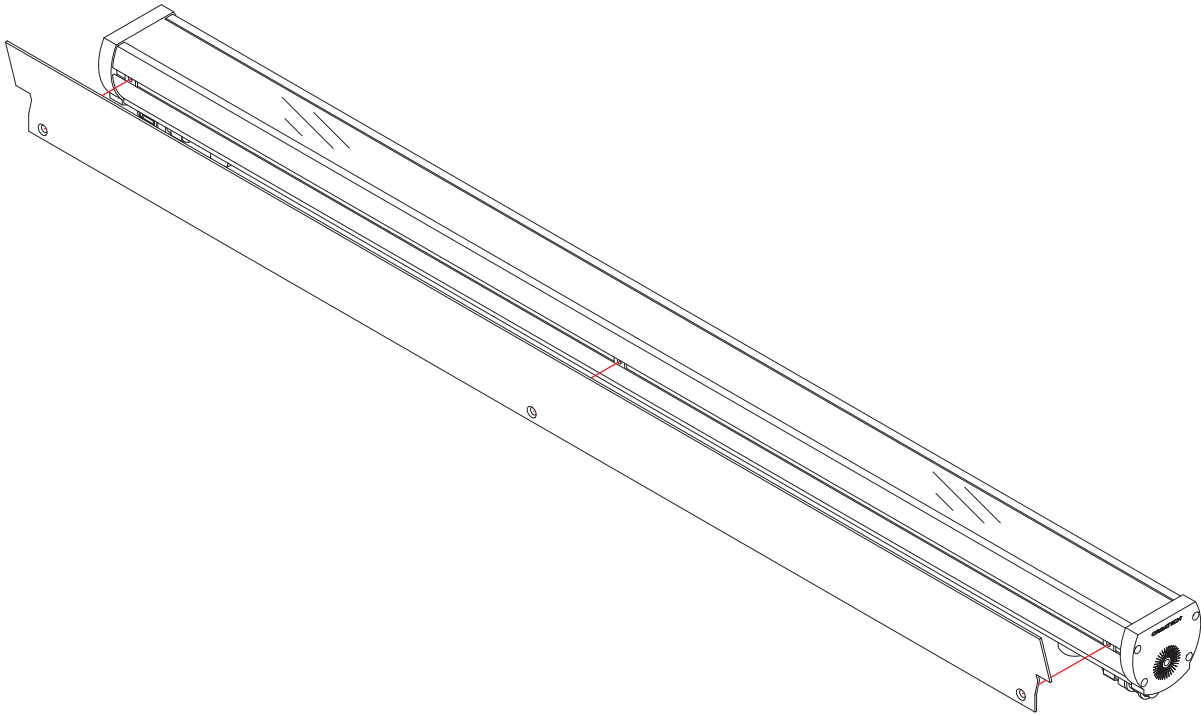
ISOMETRIC / EXPLODED VIEW



- (1) Glare Shield
- (2) 8/32 Flathead Screw
- (3) Minatura® 1300 Fixture

**1 ALIGN TRACK NUT(S)**

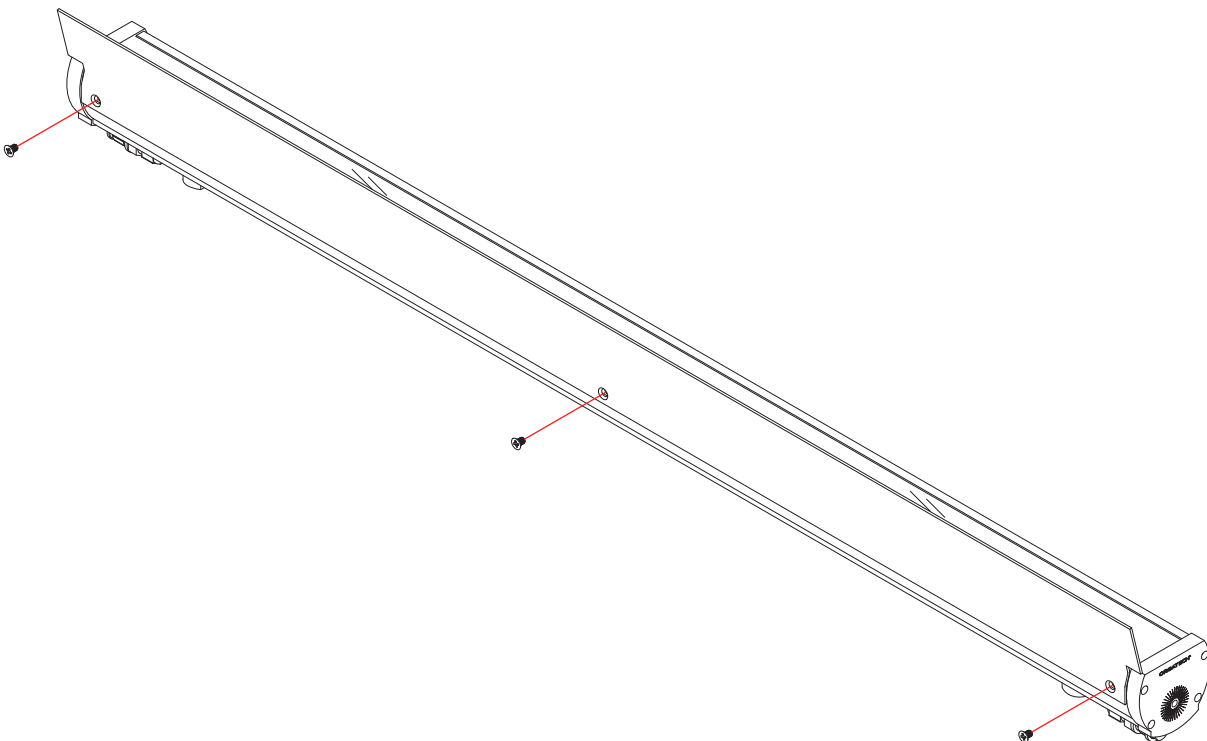
- ALIGN TRACK NUTS WITH GLARE SHIELD MOUNTING HOLE(S).



BACK VIEW

**2 INSERT SCREW(S) AND SECURE**

- INSERT 8/32 FLATHEAD SCREWS INTO GLARESHIELD MOUNTING HOLE(S). FASTEN UNTIL SECURE.



BACK VIEW