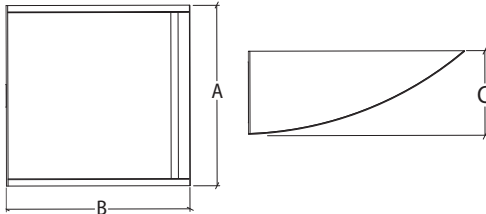


# Butterfly 3600

Indirect Wallwash LED  
120-277VAC

Project	
Type	Date

Fixture	L29	L50	L75	L100	L140	L220
<b>Length (Nom.)</b>	12 & 16 in.			24 in.		
<b>Color</b>	35K, 40K & 50K		30K, 35K, 40K & 50K			
<b>Optics</b>	Forward throw, indirect ceiling illumination					
<b>Wattage</b>	29W	50W	75W	100W	140W	220W
<b>Lumens</b>	3,500	6,000	9,000	12,000	15,300	20,740



Fixture	A	B	C	Max Wt.
<b>L29-L100</b>				
12"	12½"	16¾"	4⅞"	12.5 lbs
16"	16"	20¼"	6¼"	17.5 lbs
<b>L140-L220</b>				
12" Slim	12½"	16¾"	2"	10.5 lbs
16" Slim	16"	20¼"	2"	15.5 lbs
24"	24"	24½"	9⅝"	23.5 lbs

Butterfly are powerful indirect LED wall or pendant mounting fixtures providing forward throw indirect lighting. Slim, clean architectural design with superior performance and eliminating the discomfort of the glare associated with direct LED lighting.

Designed for illuminating large volume spaces such as Malls, Churches, Sports Halls and Airports.

**Construction** Cast and fabricated aluminum housing with sealed optics.

**Mounting** Flush mount, Swivel mount, Yoke mount. Single, Double, Triple and Quad pendants. Custom brackets available.

**Electrical** 120-277VAC.

**Finish** Powder coated silver, black, bronze or white. Marine Grade option available.

**Warranty** 5 yr/50,000 hour limited warranty.

**Environment** Suitable for dry or damp locations IP65.

**Certifications** UL Listed 1598.

Series	Length	LED Output	CCT	Voltage	Dimming	Mounting	Finish	Options
3600	12 12" Nom.	L29 29W	30 30K	U (120-277V)	ND Non-Dimming D1 0-10V 10% Dimming	BF Flush Mount B4 4" Swivel Mount YK Yoke Mount PS36 Single Pendant PD36 Double Pendant PT36 Triple Pendant PQ36 Quad Pendant CU Custom Bracket	SO Silver BL Black BZ Bronze WH White CU Custom RAL: _____	BS Butterfly Shield ZS Ziggy Shield Ax Extended Arm CH Custom Housing M Marine Grade N None
	16 16" Nom.	L50 50W	35 35K					
	24 24" Nom.	L75 75W	40 40K					
		L100 100W	50 50K					
	12S 12" Slim Nom.	L140 140W						
	16S 16" Slim Nom.	L220 220W						
		*L29 & L50 not available in 30K						*35K has a 10wk lead time
								*36" standard, 120" max length

Specifications are correct at the time of publishing, but may be modified or improved without notification. 11/20

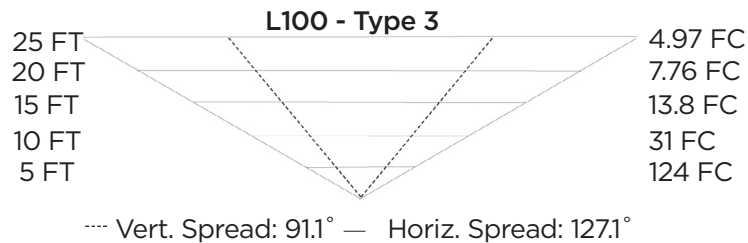


# Butterfly 3600

## Photometrics

Energy efficient output selection and application matching: for optimal energy efficiency and reliability.

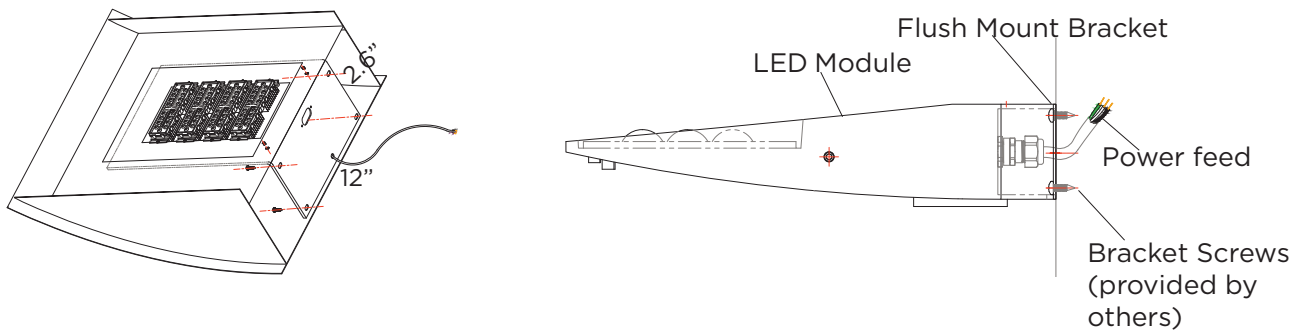
Photometric Data - L100



## Mounting & Options

**BF - Flush Mounting** locks the fixture in by backing out the 10-32 set screws.

*For 12" details contact your sales representative.*



**B4 - 4" Swivel Mount** sets the fixture in place. *For details contact your sales representative.*

**PS36, PD36, PT36, PQ36 Pendant Box** - available for single, double, triple and quadruple pendant fixtures. Standard 36" stems and may be elongated up to 120" max. *For details contact your sales representative.*

*Specifications are correct at the time of publishing, but may be modified or improved without notification. 11/20*

