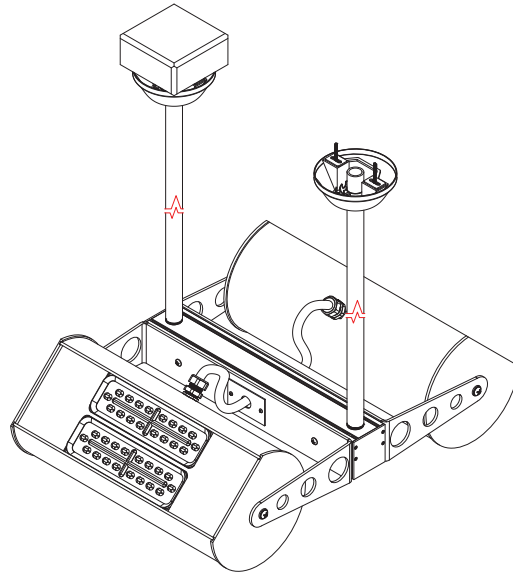




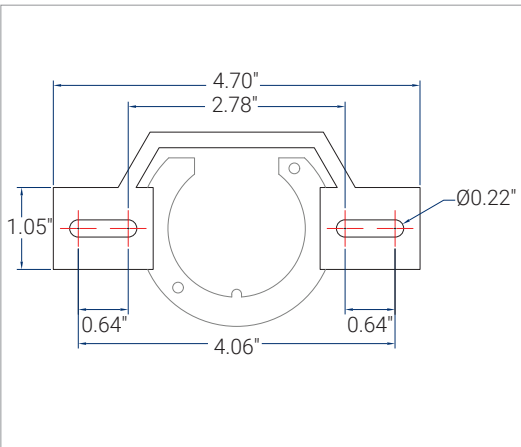
WARNING!

- READ THE PROVIDED INSTRUCTIONS PRIOR TO INSTALLING.
- INSTALLATION SHOULD BE CARRIED OUT BY QUALIFIED INSTALLERS.
- THE INSTALLER HAS THE FINAL RESPONSIBILITY FOR THE STRENGTH AND RIGIDITY OF THE WALL/CEILING STRUCTURE.
- A MINIMUM OF 2 PEOPLE REQUIRED WHEN INSTALLING LONG LENGTH FIXTURES.

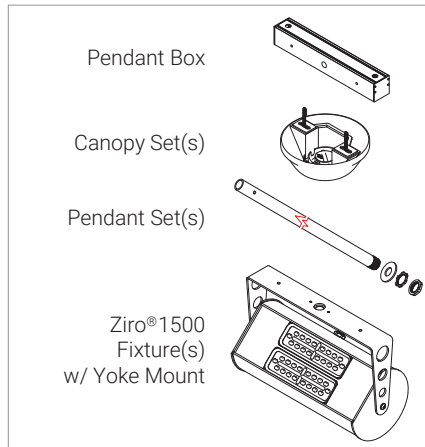


LUMINAIRE SHOWN AS AN UPLIGHT

MOUNT DIMENSIONS



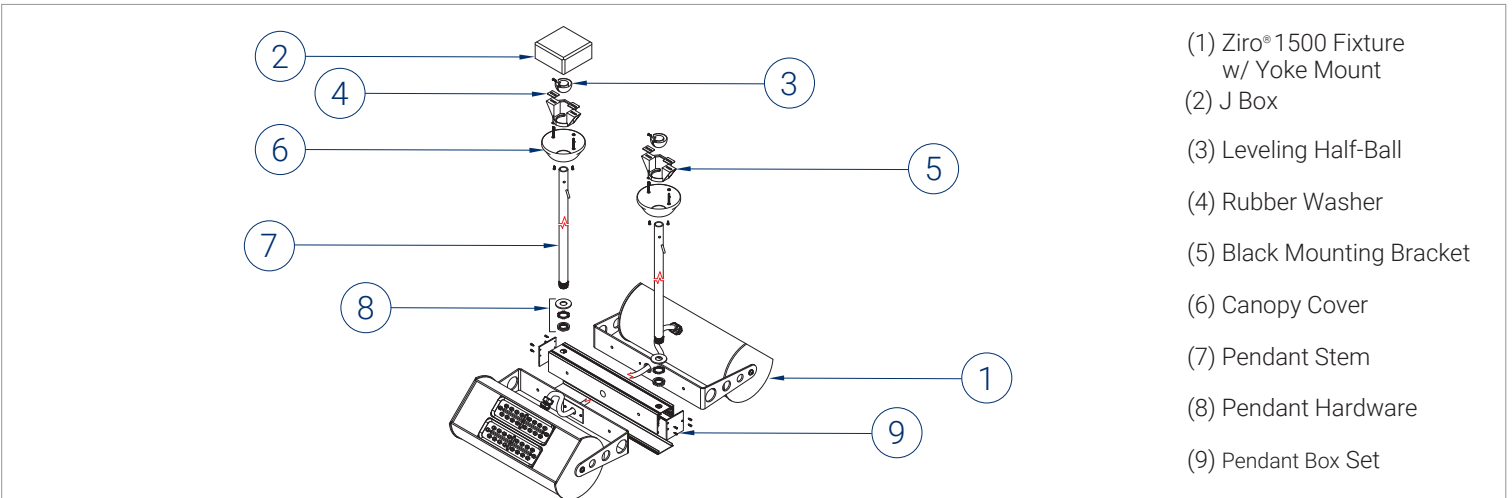
PACKAGE INCLUDES



ITEMS NEEDED (BY OTHERS)



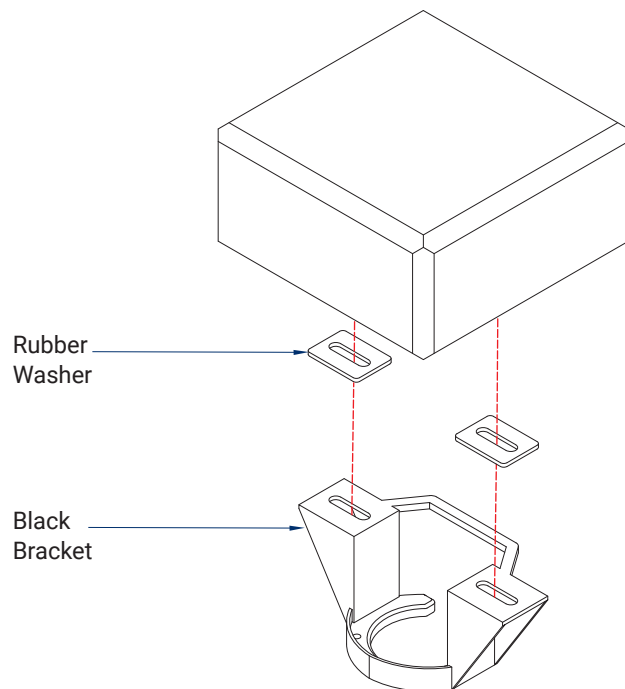
ISOMETRIC VIEW



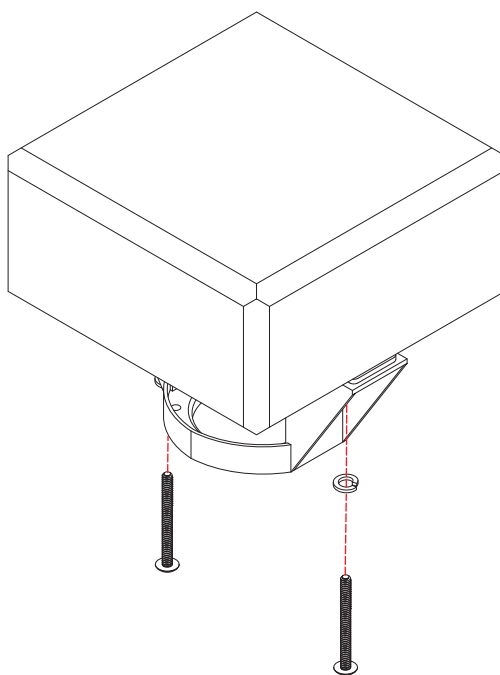
- (1) Ziro® 1500 Fixture w/ Yoke Mount
- (2) J Box
- (3) Leveling Half-Ball
- (4) Rubber Washer
- (5) Black Mounting Bracket
- (6) Canopy Cover
- (7) Pendant Stem
- (8) Pendant Hardware
- (9) Pendant Box Set

1 INSERT RUBBER WASHERS

- TURN OFF CIRCUIT BREAKER.
- PLACE RUBBER WASHER BETWEEN CEILING JBOX AND BLACK MOUNTING BRACKET.

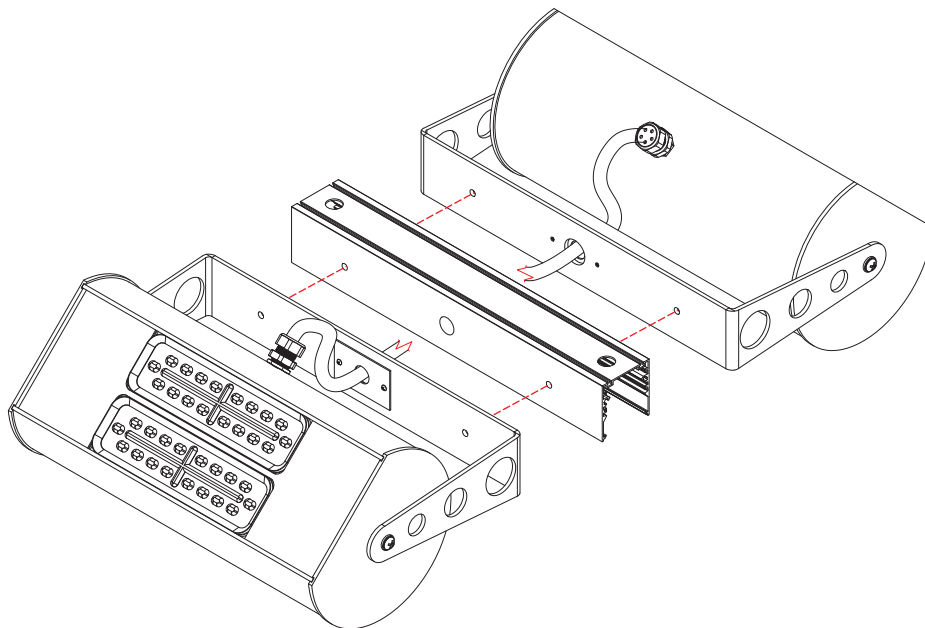
**2 ALIGN HOLES AND SECURE BRACKET TO JBOX**

- ALIGN HOLES AND SECURE BRACKET TO JBOX USING 1-1/2 MACHINE SCREWS AND WASHER (SUPPLIED).

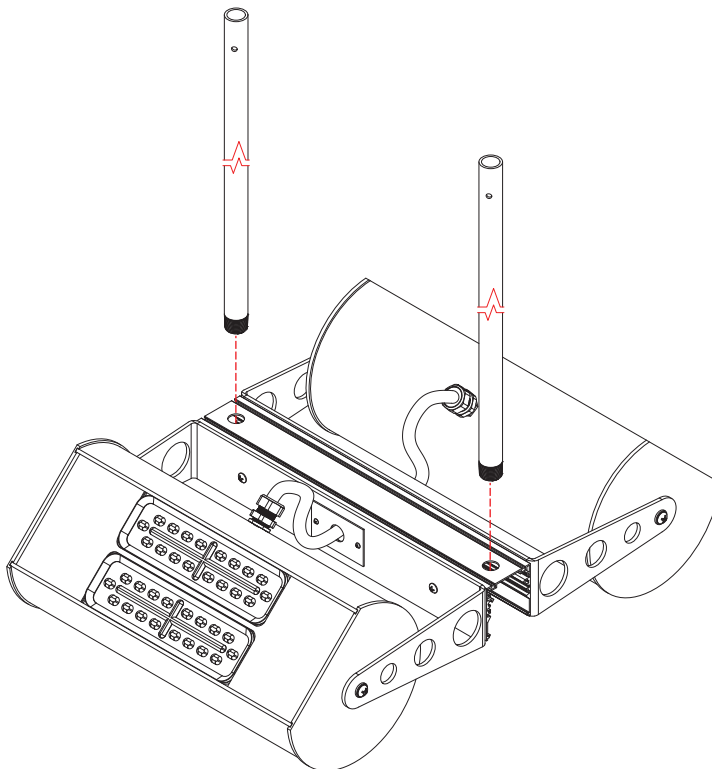


3 ATTACH FIXTURE TO PENDANT BOX

- ATTACH ZIRO 1500 FIXTURES USING YOKE MOUNT TO THE PENDANT BOX, THEN SECURE WITH SCREWS.

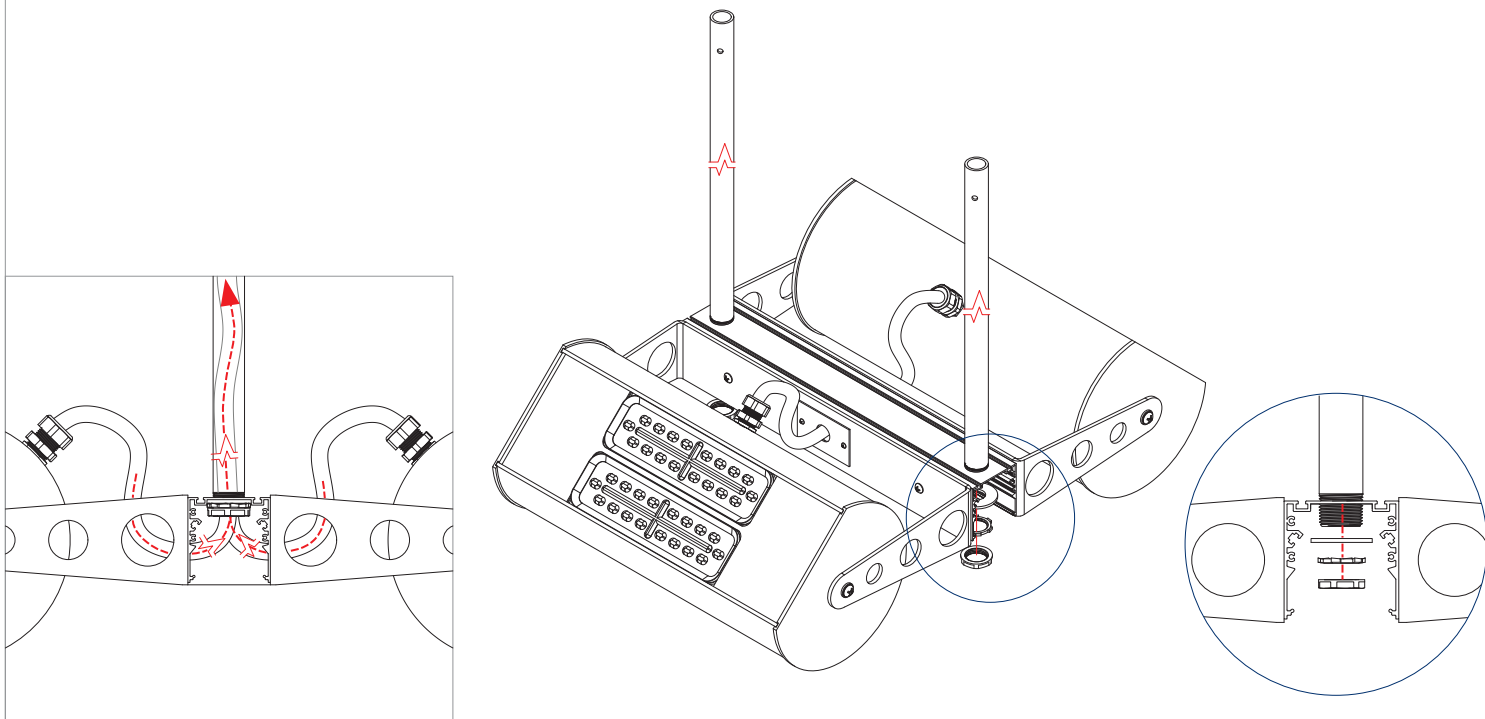
**4 INSERT PENDANT STEMS**

- INSERT PENDANT STEMS INTO THE PENDANT BOX.

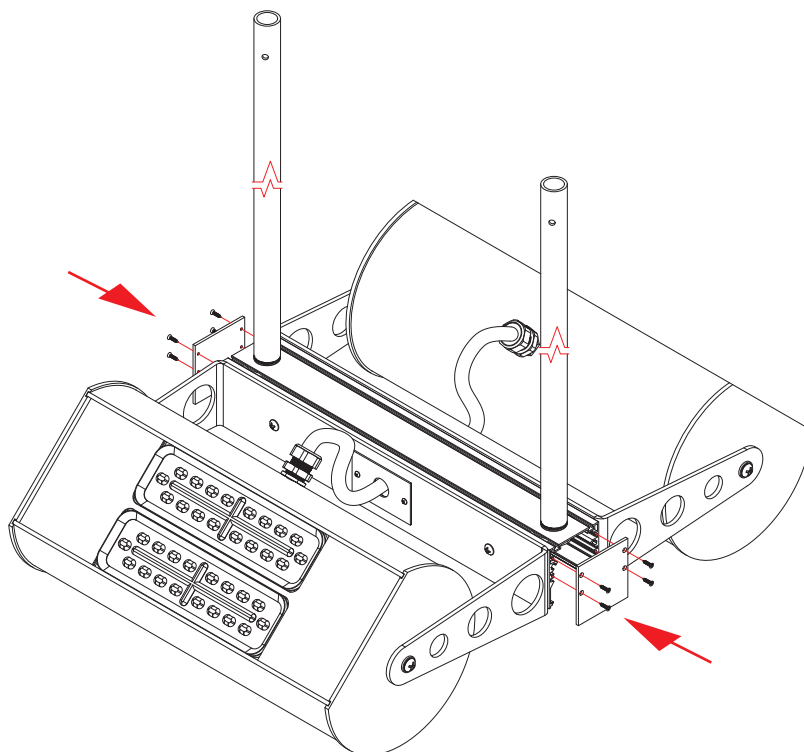


5 INSERT CANOPY COVER

- INSERT PENDANT STEM HARDWARE TO SECURE PENDANT STEM IN PLACE.
- FEED POWER CORD THROUGH YOKE MOUNT POWER HOLE, THEN THROUGH THE PENDANT BOX.
- SECURE PENDANT STEM BY TIGHTENING LOCKNUT UNDERNEATH THE PENDANT BOX.
- SPLICE CABLES IN PENDANT BOX AND RUN (1) CABLE THROUGH PENDANT STEM.

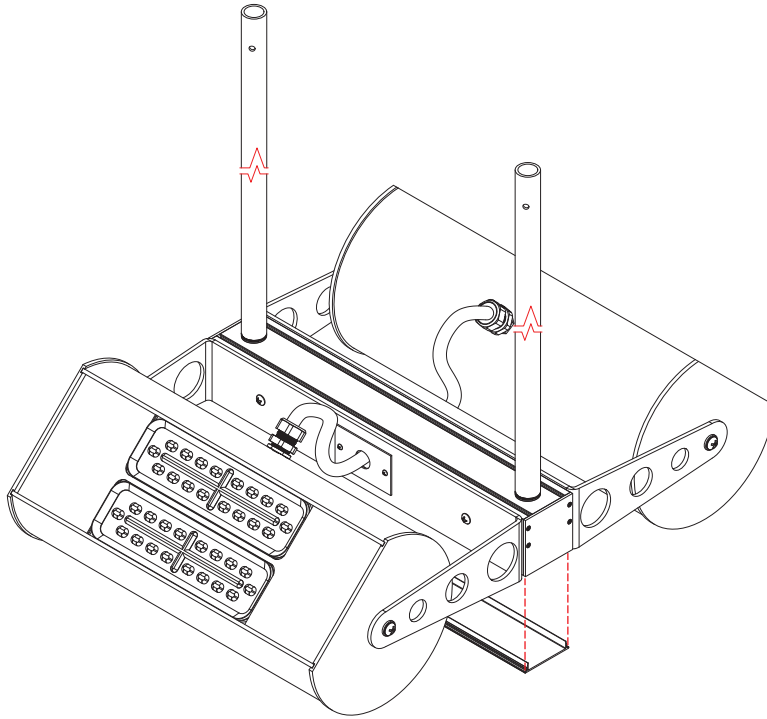
**6 ATTACH COVERS**

- ATTACH PENDANT BOX END CAPS AND SECURE.



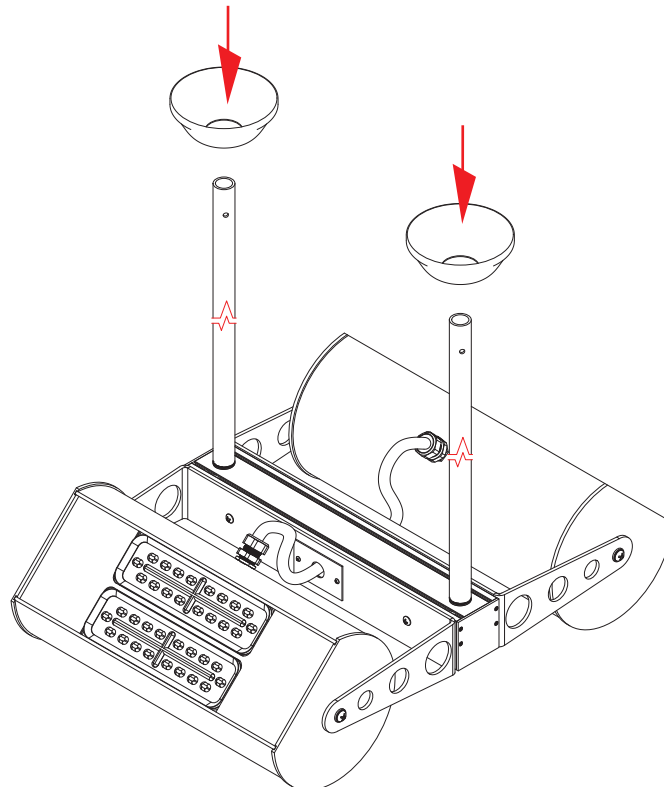
7 INSERT LOWER COVER

- INSERT PENDANT BOX COVER. SNAP IN PLACE.



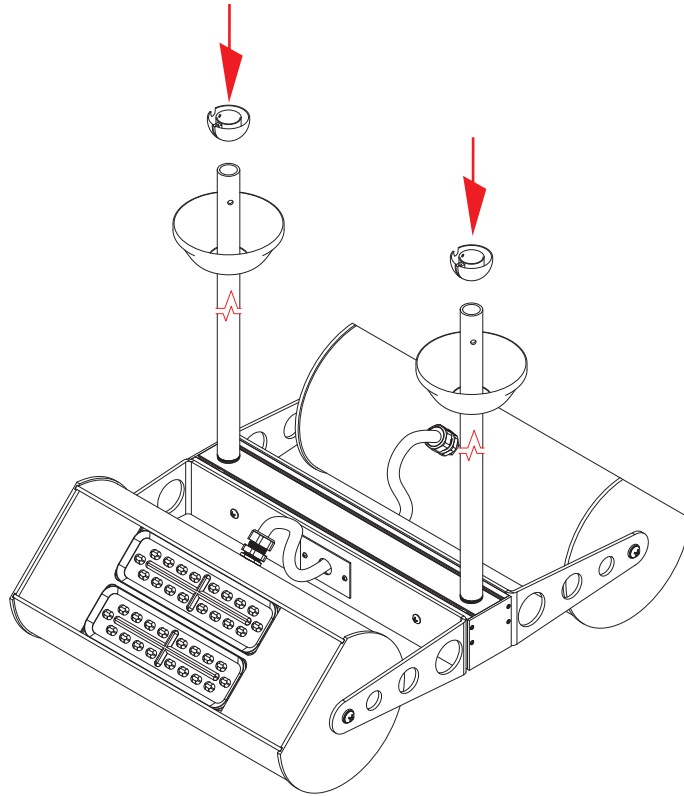
8 SLIDE CANOPY COVERS

- SLIDE CANOPY COVERS ONTO PENDANT STEMS.



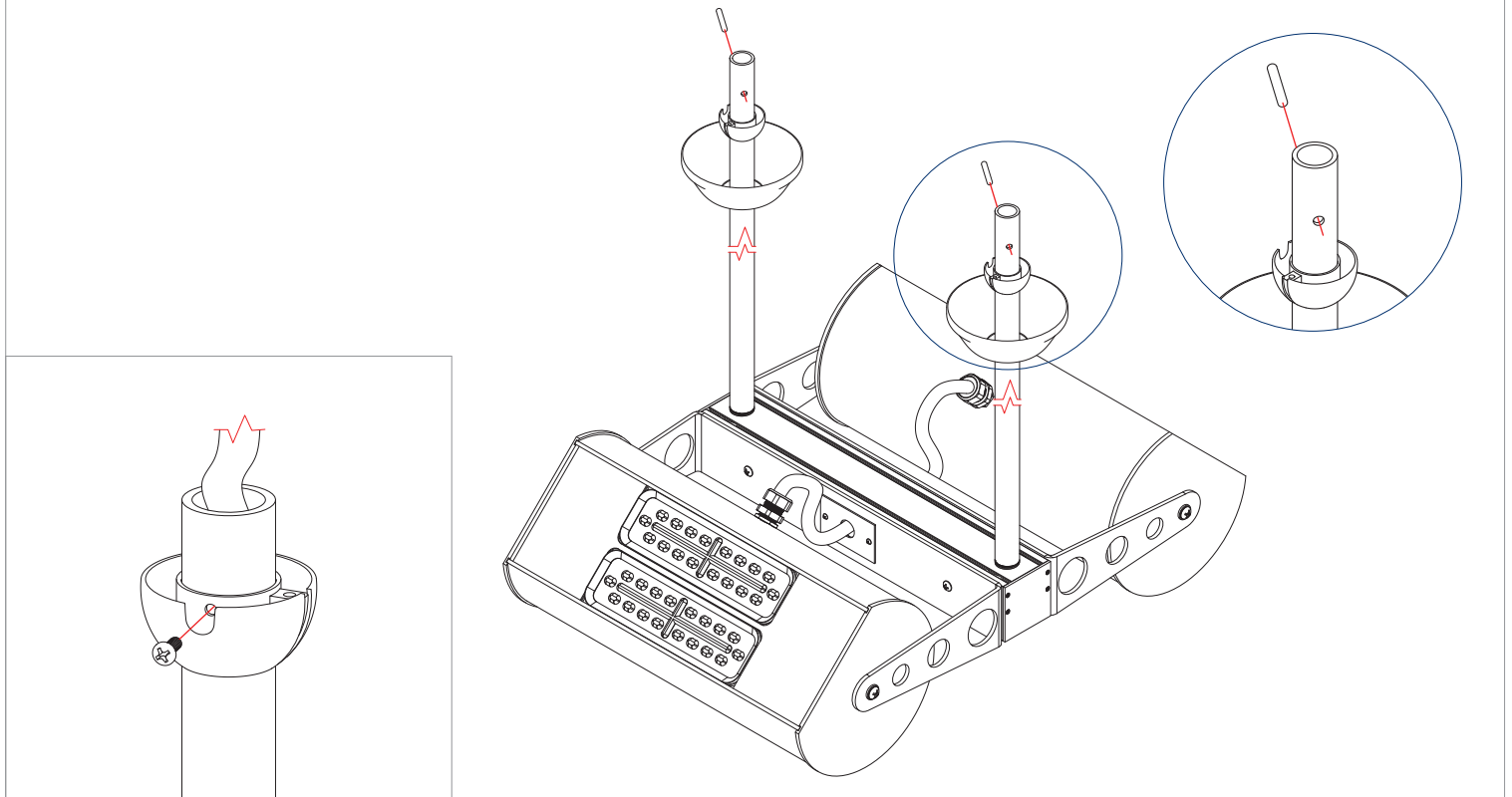
9 SLIDE LEVELING HALF-BALLS

- SLIDE LEVELING HALF-BALLS ONTO PENDANT STEMS.



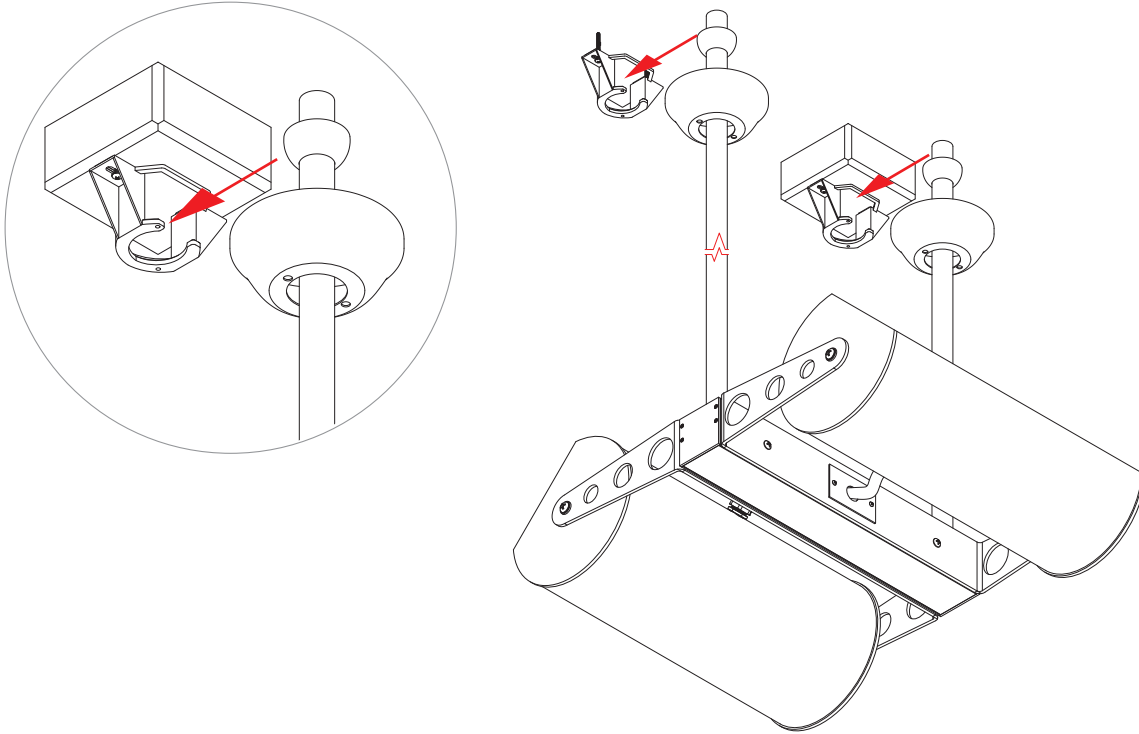
10 INSERT PINS AND SECURE LEVELING HALF-BALL

- INSERT PINS INTO PENDANT STEMS.
- SLIDE UP LEVELING HALF-BALL, THEN SECURE WITH SET SCREWS.

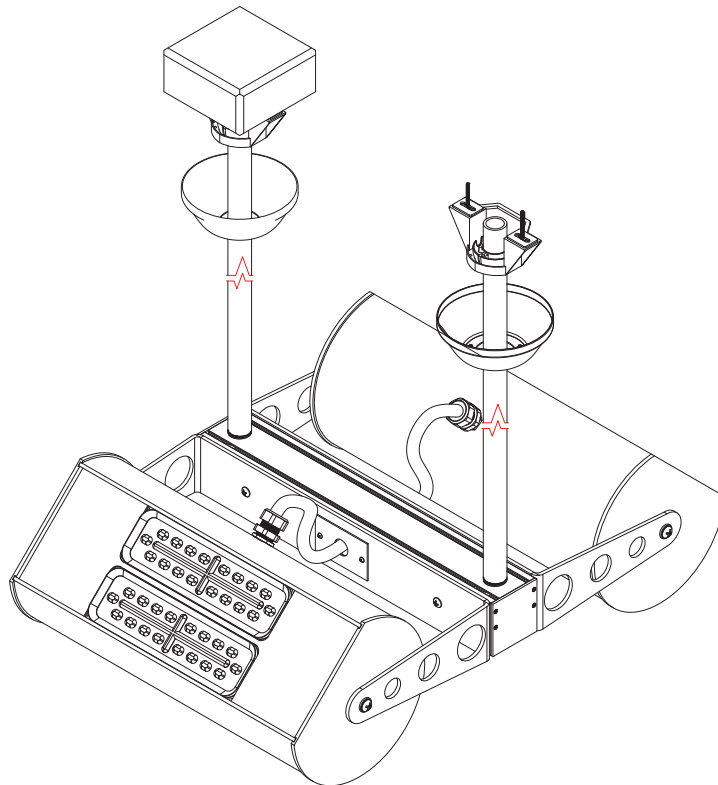


11 INSERT PENDANT STEM ONTO MOUNTING BRACKET

- LIFT ZIRO 1500 PENDANT FIXTURE AND SLIDE PENDANT STEM AND LEVELING HALF-BALL ONTO MOUNTING BRACKET.

**12 MAKE WIRE CONNECTIONS**

- MAKE PROPER WIRE CONNECTIONS IN CEILING JBOX.



13 SECURE CANOPY COVER

- PLACE CANOPY COVER INTO PROPER POSITION OVER BLACK BRACKET AND SECURE WITH SCREWS.

