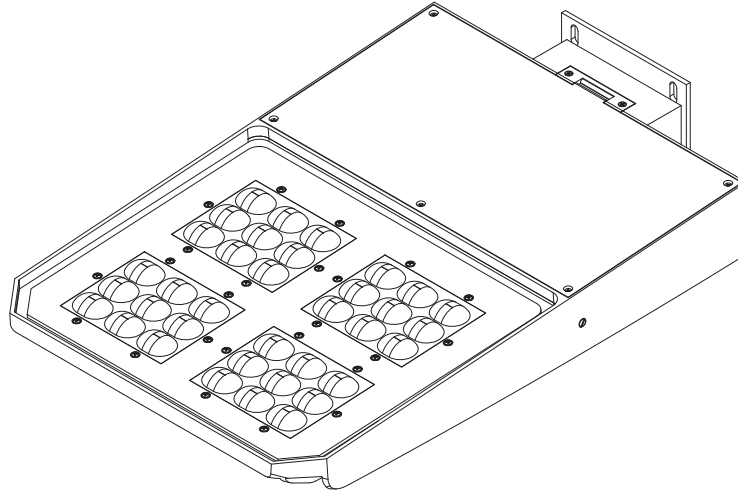




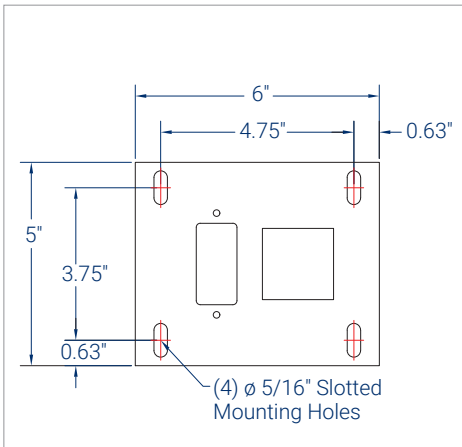
WARNING!

- READ THE PROVIDED INSTRUCTIONS PRIOR TO INSTALLING.
- INSTALLATION SHOULD BE CARRIED OUT BY QUALIFIED INSTALLERS.
- THE INSTALLER HAS THE FINAL RESPONSIBILITY FOR THE STRENGTH AND RIGIDITY OF THE WALL/CEILING STRUCTURE.
- A MINIMUM OF 2 PEOPLE REQUIRED WHEN INSTALLING LONG LENGTH FIXTURES.

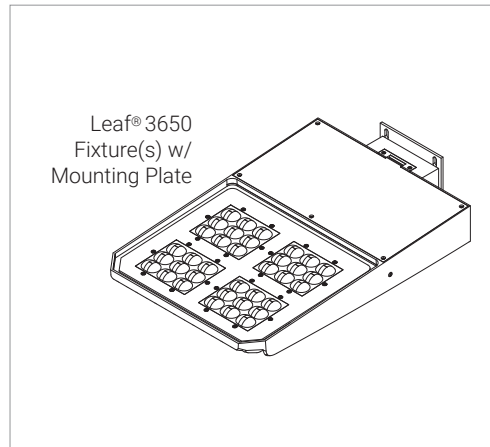


LUMINAIRE SHOWN AS AN UPLIGHT

MOUNT DIMENSIONS



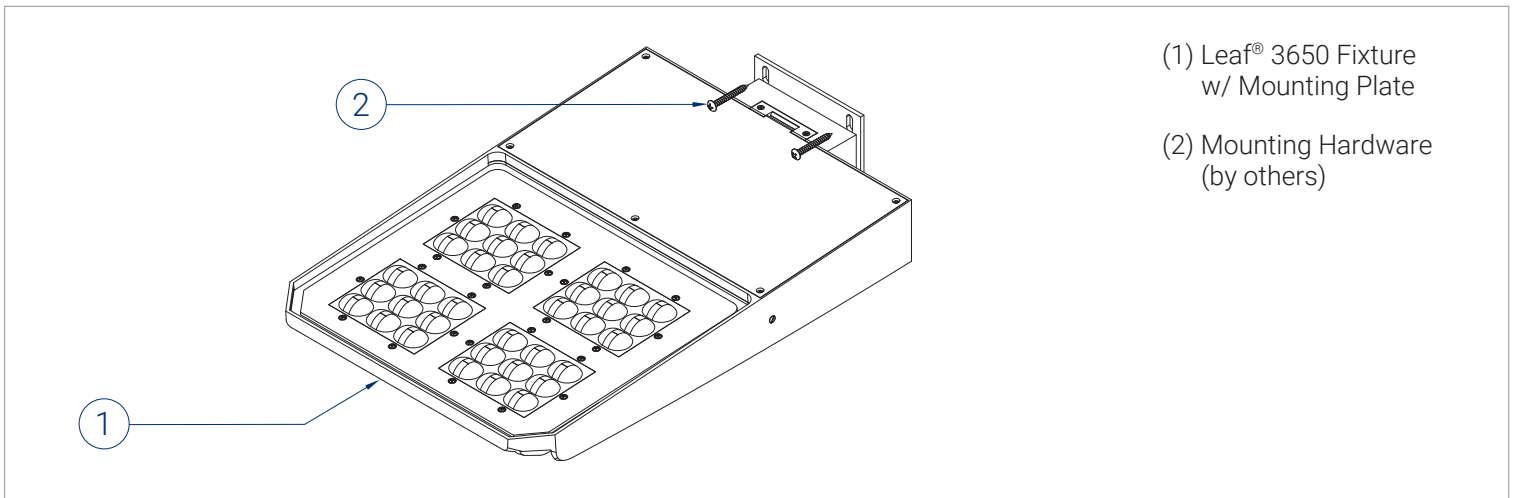
PACKAGE INCLUDES



ITEMS NEEDED (BY OTHERS)



ISOMETRIC / EXPLODED VIEW



1 MOUNT FIXTURE(S) TO SURFACE

· MOUNT FIXTURE(S) ONTO SURFACE THROUGH MOUNTING PLATE UNTIL SECURE.

