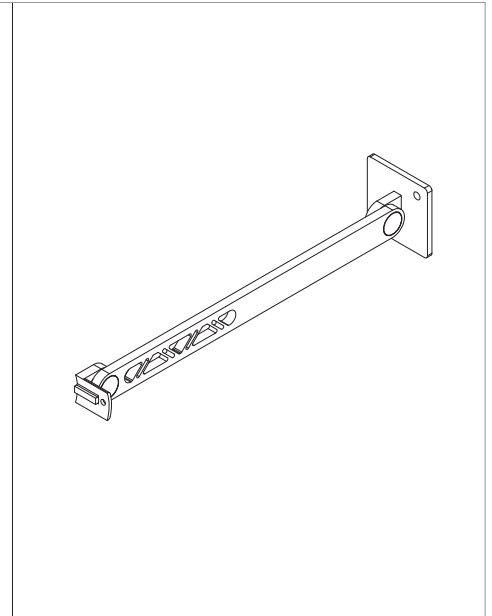
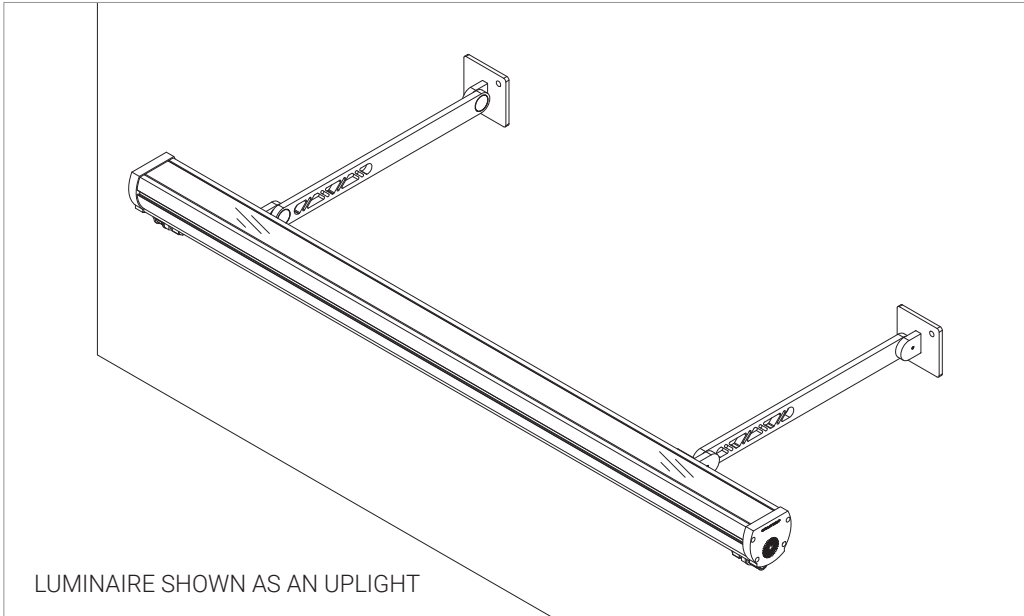


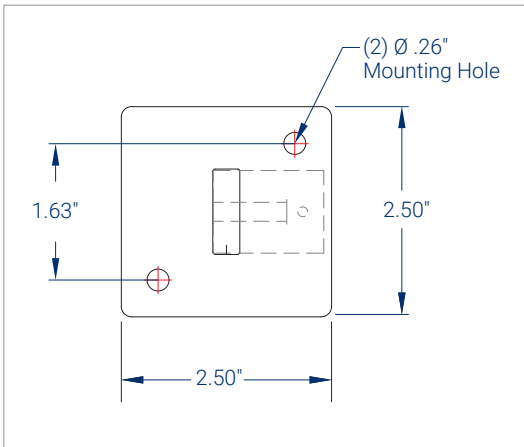


WARNING!

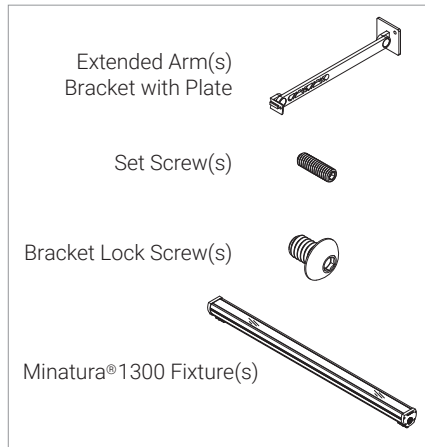
- READ THE PROVIDED INSTRUCTIONS PRIOR TO INSTALLING.
- INSTALLATION SHOULD BE CARRIED OUT BY QUALIFIED INSTALLERS.
- THE INSTALLER HAS THE FINAL RESPONSIBILITY FOR THE STRENGTH AND RIGIDITY OF THE WALL/CEILING STRUCTURE.
- A MINIMUM OF 2 PEOPLE REQUIRED WHEN INSTALLING LONG LENGTH FIXTURES.



MOUNT DIMENSIONS



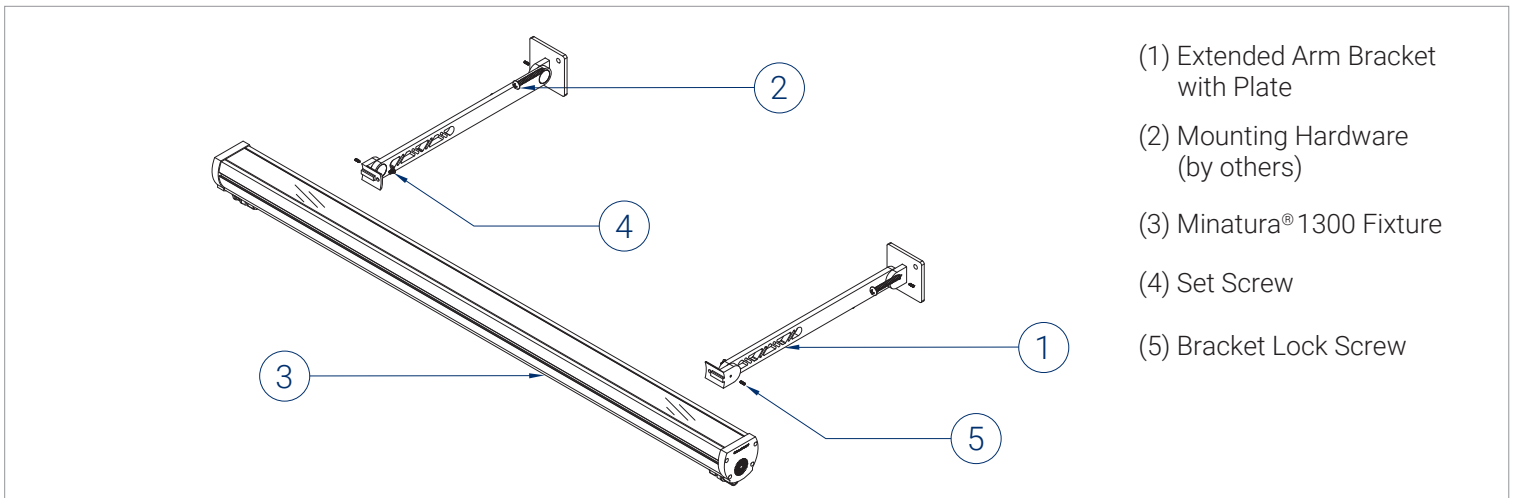
PACKAGE INCLUDES



ITEMS NEEDED (BY OTHERS)



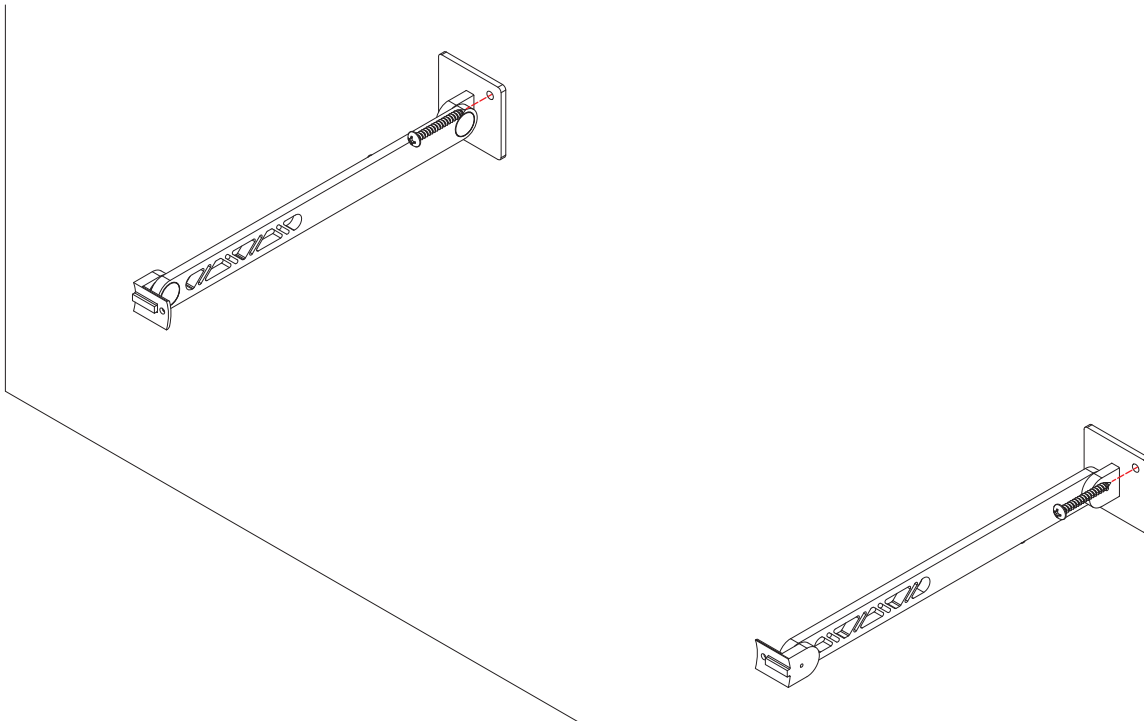
ISOMETRIC VIEW



- (1) Extended Arm Bracket with Plate
- (2) Mounting Hardware (by others)
- (3) Minatura®1300 Fixture
- (4) Set Screw
- (5) Bracket Lock Screw

1 MOUNT EXTENDED ARM PLATE(S) TO SURFACE

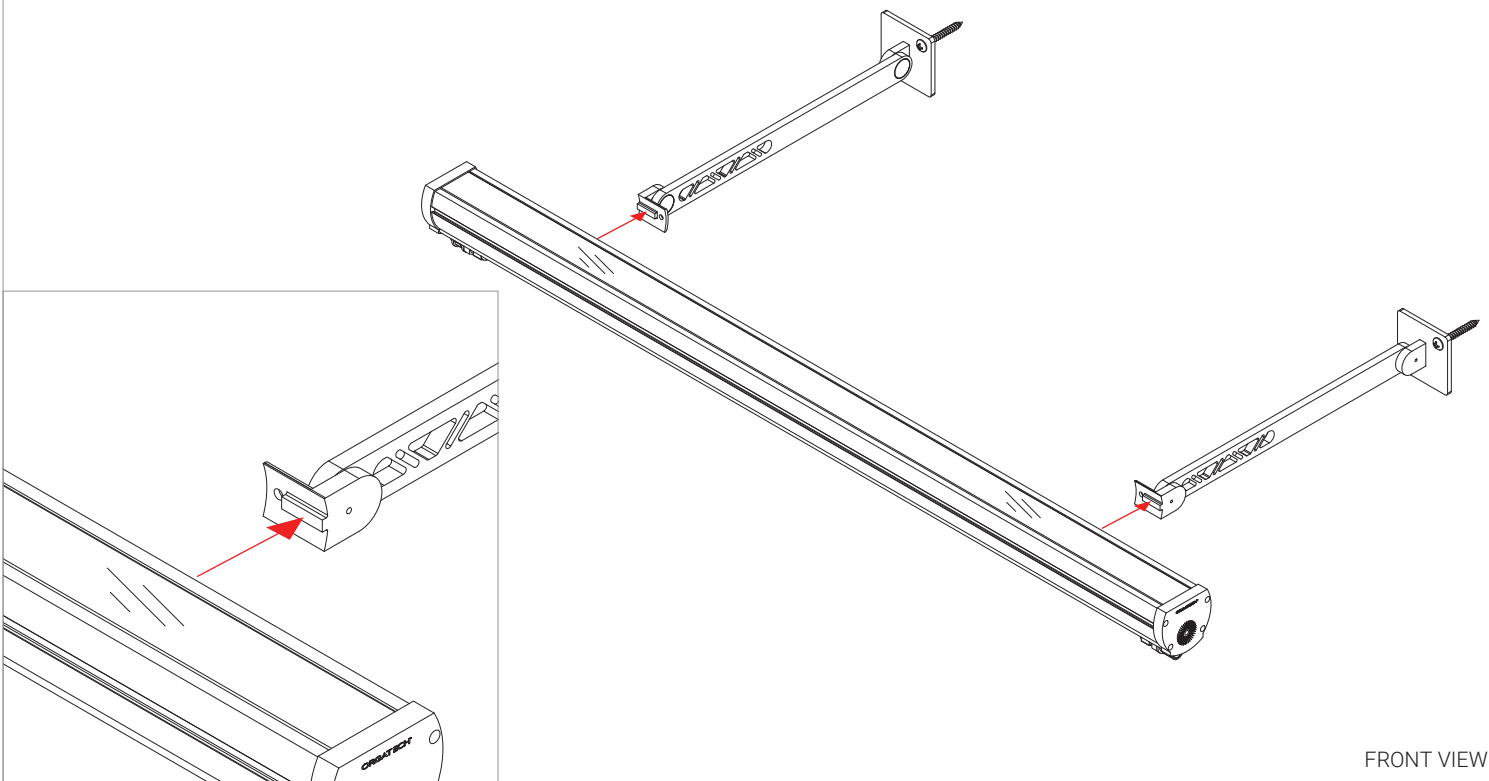
- MEASURE AND MARK THE SURFACE ACCORDING TO FIXTURE LENGTH TO ENSURE ACCURATE PLACEMENT OF EXTENDED ARM PLATES(S).
- MOUNT EXTENDED ARM PLATE(S) TO SURFACE USING MOUNTING HARDWARE (BY OTHERS).



FRONT VIEW

2 SNAP FIXTURE(S) IN PLACE

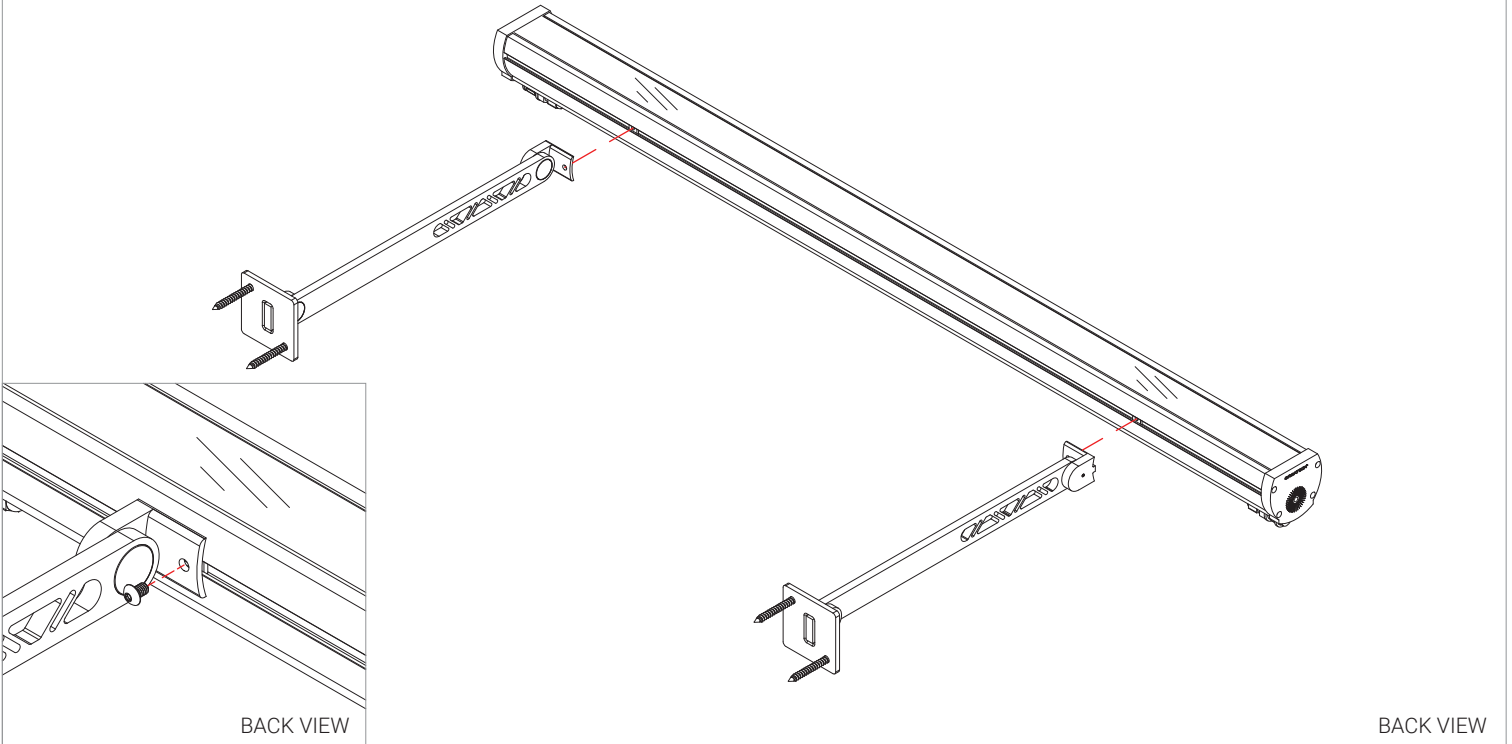
- SNAP MINATURA® 1300 FIXTURE TO EXTENDED ARM BRACKET.
- ENSURE THAT THE TRACK NUT(S) ALIGN (SEE STEP 3)



FRONT VIEW

3 ALIGN TRACK NUT(S) TO EXTENDED ARM BRACKET(S)

- ALIGN TRACK NUT(S) TO EXTENDED ARM BRACKET(S).
- SECURE BRACKET(S) TO TRACK NUT(S) BY SCREWING IN THE BRACKET LOCK SCREW(S).



4 SELECT DESIRED ANGLE

- ROTATE AND TILT THE FIXTURE INTO DESIRED DEGREE ANGLE AND TIGHTEN SET SCREW(S).

