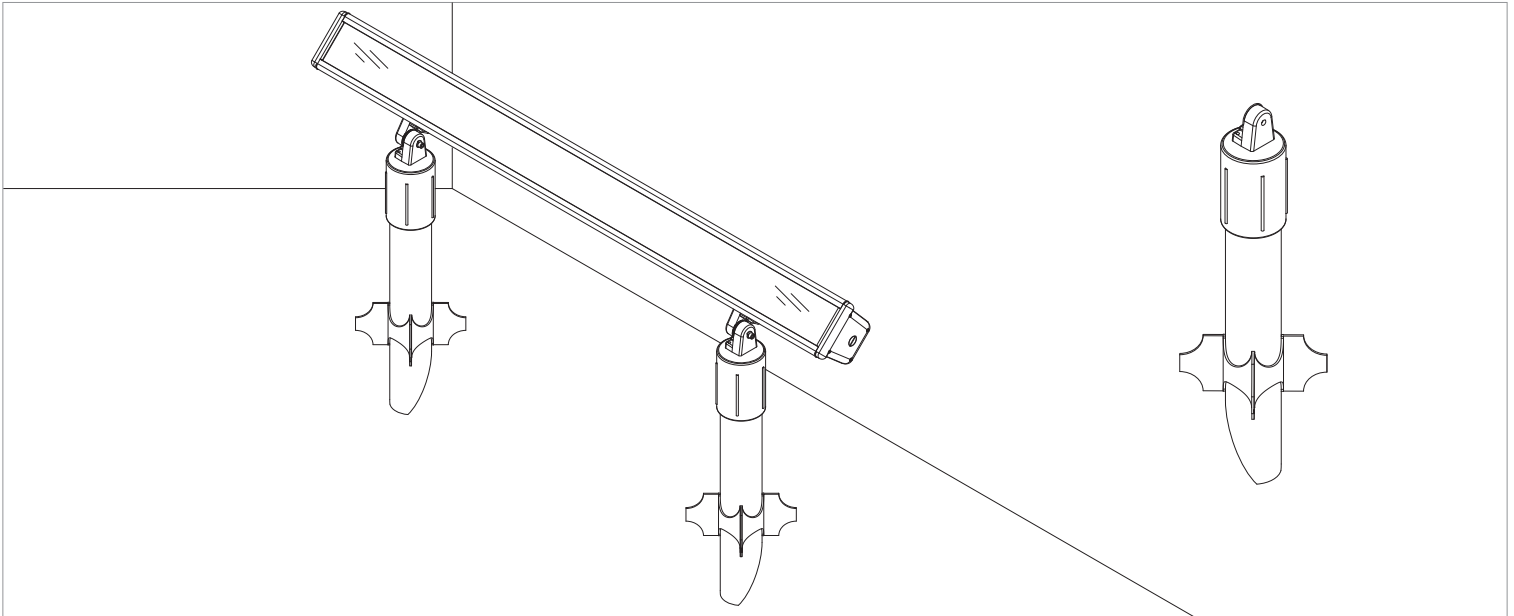


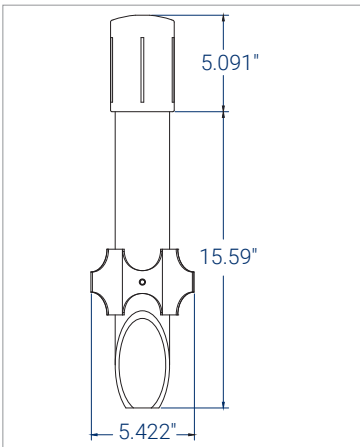


WARNING!

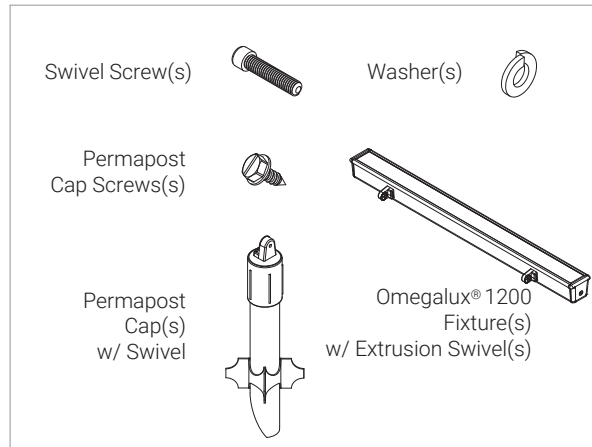
- READ THE PROVIDED INSTRUCTIONS PRIOR TO INSTALLING.
- INSTALLATION SHOULD BE CARRIED OUT BY QUALIFIED INSTALLERS.
- THE INSTALLER HAS THE FINAL RESPONSIBILITY FOR THE STRENGTH AND RIGIDITY OF THE WALL/CEILING STRUCTURE.
- A MINIMUM OF 2 PEOPLE REQUIRED WHEN INSTALLING LONG LENGTH FIXTURES.



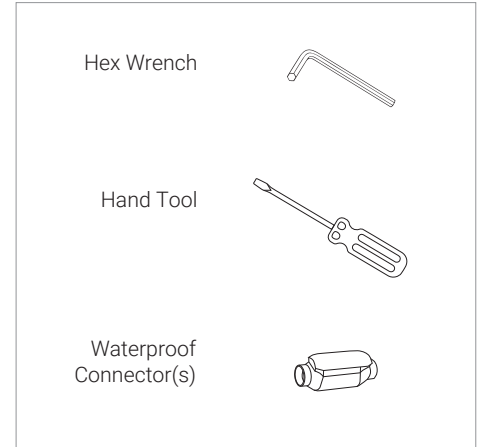
MOUNT DIMENSIONS



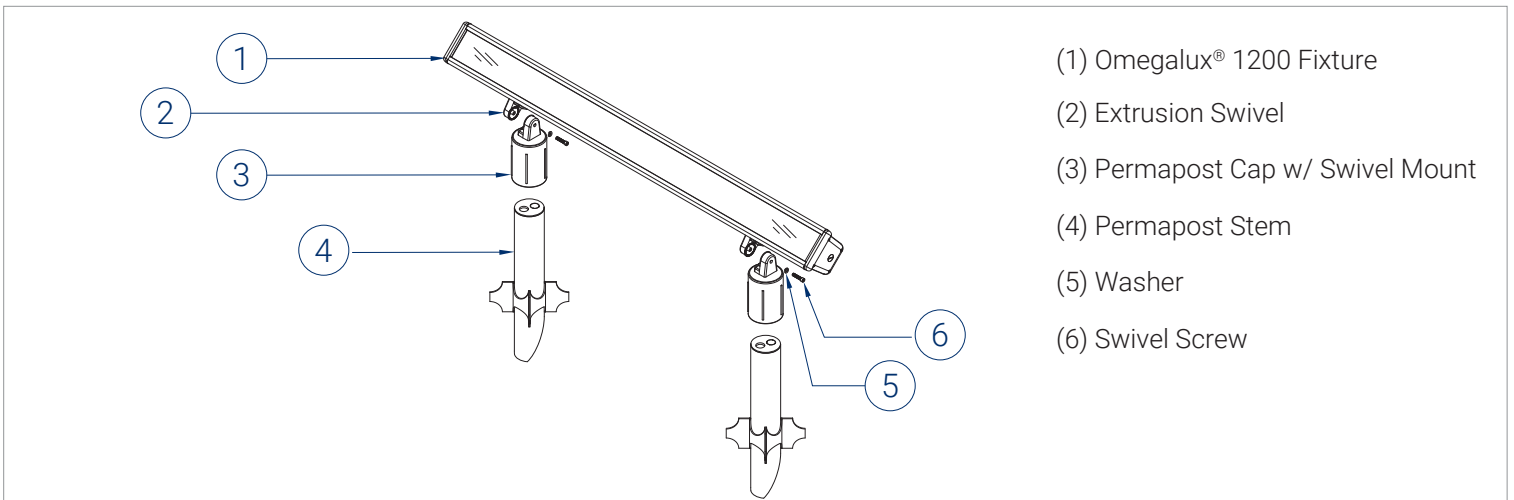
PACKAGE INCLUDES



ITEMS NEEDED (BY OTHERS)



ISOMETRIC / EXPLODED VIEW



- (1) Omegalux® 1200 Fixture
- (2) Extrusion Swivel
- (3) Permapost Cap w/ Swivel Mount
- (4) Permapost Stem
- (5) Washer
- (6) Swivel Screw

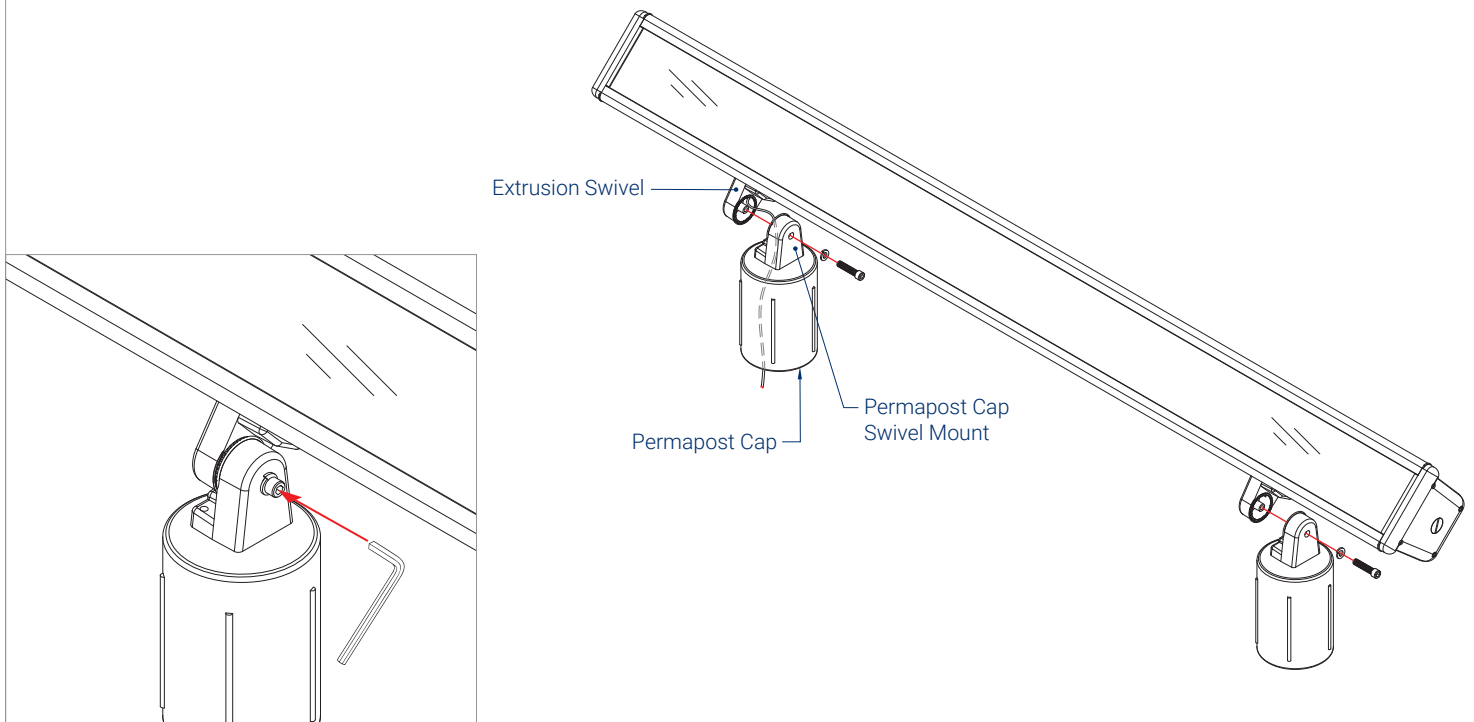
1 INSERT POWER LEADS

- INSERT FIXTURE POWER LEADS INTO PERMAPOST CAP SWIVEL MOUNT.



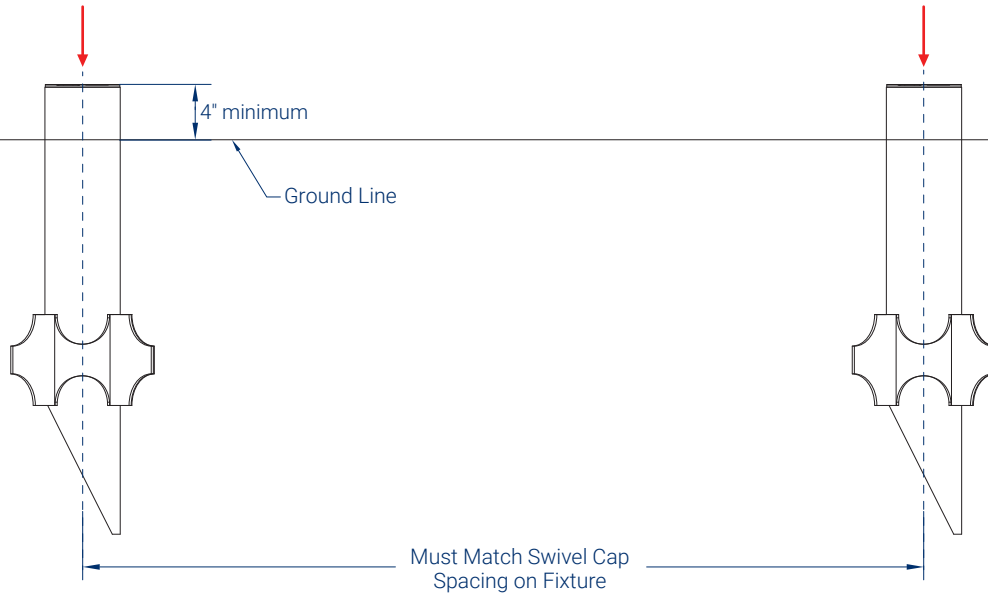
2 MOUNT FIXTURE TO PERMAPOST CAP(S)

- ATTACH EXTRUSION SWIVEL(S) TO PERMAPOST CAP SWIVEL MOUNT(S) ON PERMAPOST CAP(S).
- USE THE SWIVEL SCREW(S) AND WASHER(S) TO LOOSELY ATTACH THE PERMAPOST CAP SWIVEL MOUNT(S) TOGETHER. THE WASHER PRECEDES THE SCREW. (SEE ILLUSTRATION).



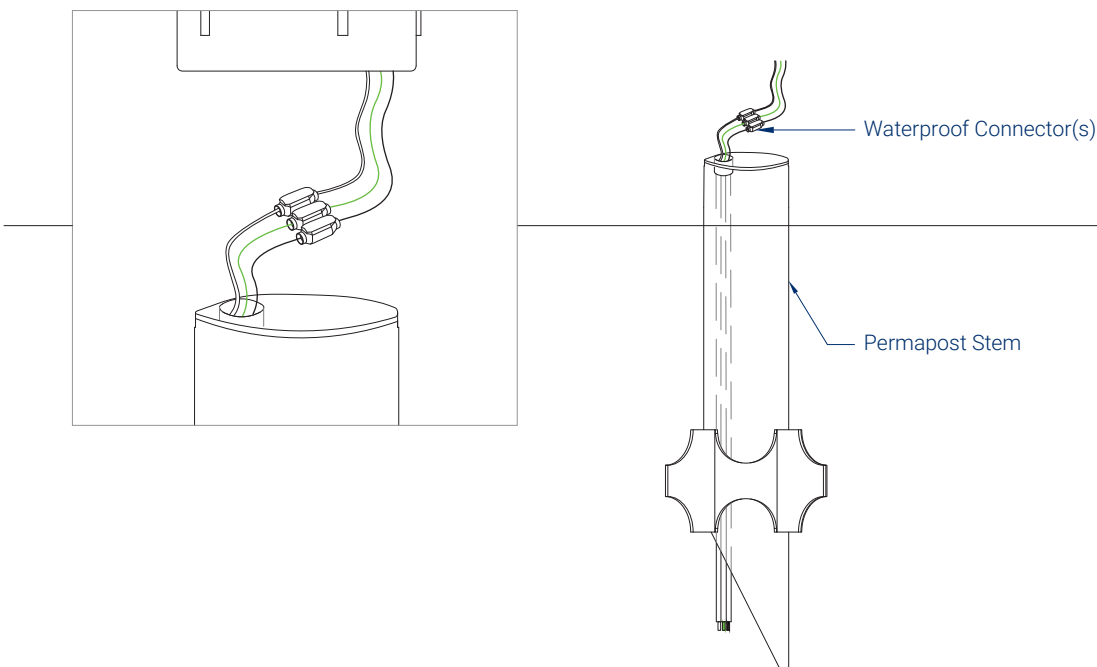
3 INSERT PERMAPOST STEM(S)

- INSERT PERMAPOST STEM(S) INTO THE GROUND TO THE SAME DISTANCE AS THE CAPS ON THE FIXTURE.
- IT IS RECOMMENDED THAT FIXTURE IS MOUNTED AT LEAST 4" ABOVE GROUND LEVEL TO ENSURE WATER RUNOFF.



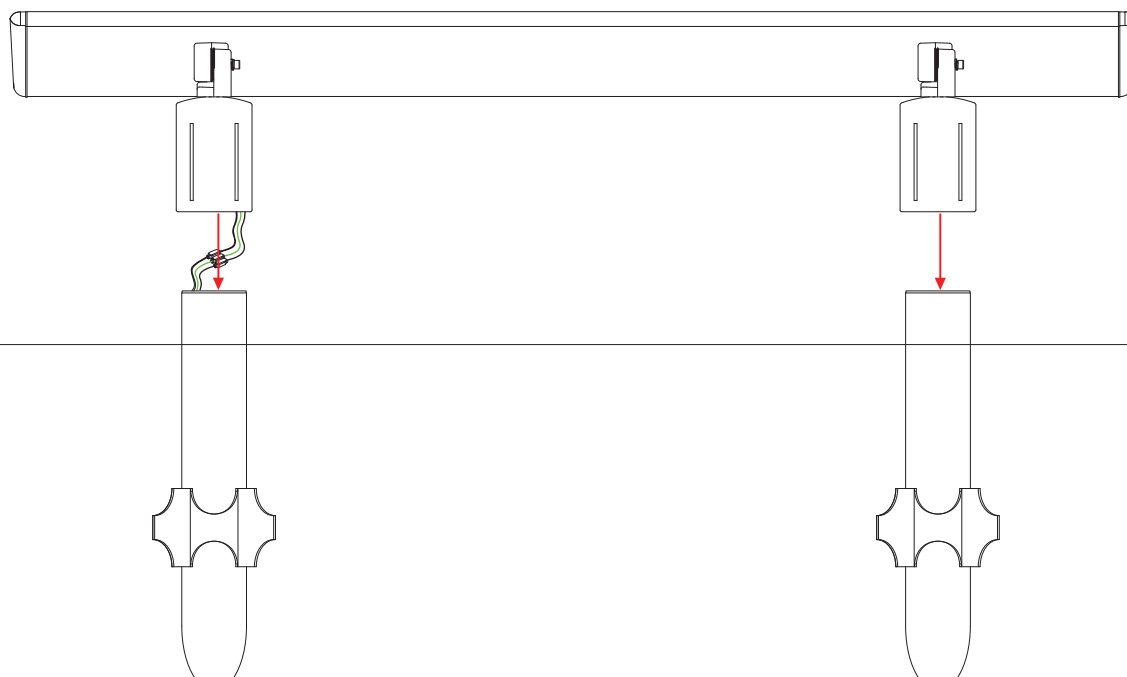
4 COMPLETE WIRING

- WIRE FIXTURE INSIDE THE PERMAPOST STEM. USE ONLY WATERPROOF CONNECTORS.



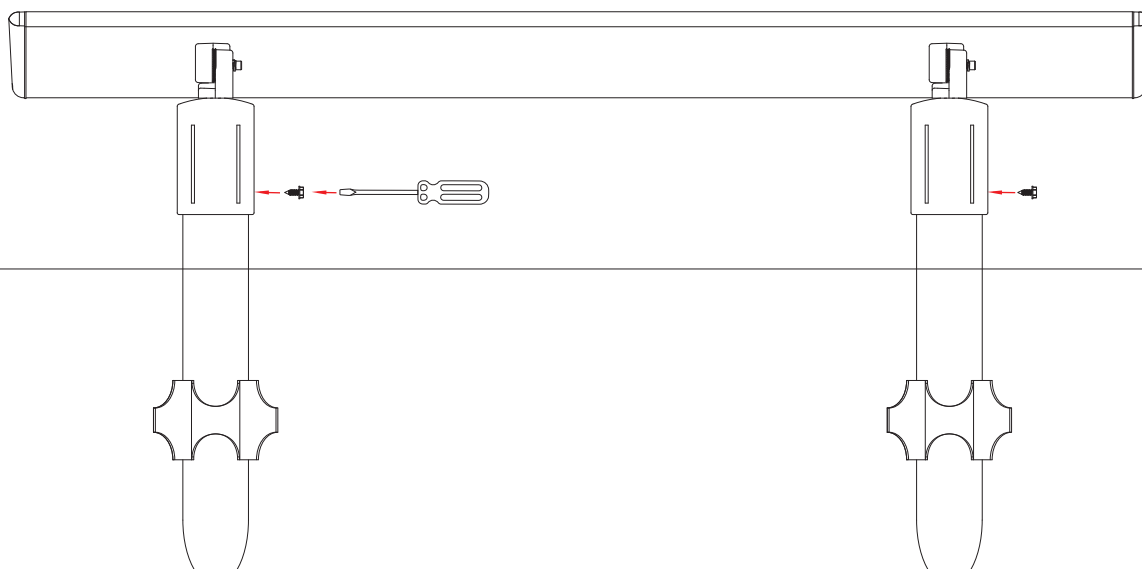
5 POSITION PERMAPOST CAPS ONTO PERMAPOST STEMS

· POSITION AND PLACE FIXTURE WITH ATTACHED PERMAPOST CAPS ONTO THE PERMAPOST STEMS.



6 SECURE PERMAPOST CAPS

· SECURE PERMAPOST CAPS TO THE STEMS WITH THE PERMAPOST SCREWS..



7 SELECT DESIRED ANGLE

- ROTATE AND TILT THE FIXTURE INTO DESIRED ANGLE.
- TIGHTEN SWIVEL SCREWS TO SECURE.

