

Ziro 1500 Cathedral Series Indirect or Wallwash

120-277VAC

Project

Date



Fixture	Available Length	Watts	Lumen Output
L30	14" & 18"	30W	5,400lm
L40	14" & 18"	40W	7,000lm
L50	14" & 18"	50W	8,500lm
L60	14" & 18"	60W	9,780lm
L80	18" & 24"	80W	14,000lm
L90	18" & 24"	90W	15,500lm
L100	18" & 24"	100W	17,000lm
L120	18" & 24"	120W	19,560lm
L150	18" & 24"	150W	25,500lm
L180	18" & 24"	180W	29,340lm
L200	24"	200W	34,000lm
L240	24"	240W	39,120lm
L360	36"	360W	58,680lm
L420	46"	420W	68,460lm
L480	46"	480W	78,240lm

DESCRIPTION

The Ziro produces powerful indirect LED illumination using the latest high efficiency LEDs to their true advantage. Energy efficiency combined with the well-known visual performance benefits of indirect lighting eliminates the hazards and discomfort of LED glare. At 180lm/W, the Ziro is 60% more efficient than our previous models. Our cool running fixtures with integral drivers compliment architectural elements while making their own discrete statement.

FEATURES

Construction	Extruded Aluminum w/ Aluminum Endcaps & Stainless Steel Hardware.
Length (nom.)	14" / 18" / 24" / 36" / 46"
Weight	14" - 10lbs / 18" - 12lbs / 24" - 15lbs / 36" - 22lbs / 46" - 30lbs
CCT	3000K, 3500K, 4000K, 5000K
Dimming	Non-dimming, 0-10V Dimming
Optics	Type III Lens (Forward Throw)
Mounting	Swivel Mount, Extended Arm, Yoke Mount, Pendant-Single, Double
Finish	Powder Coated White, Black, Bronze, Silver, Custom, Marine Grade

PERFORMANCE

Electrical	120-277V AC. Integral Drivers, Constant Current
LED Output	14" & 18" 30W-60W 18" & 24" 80W-200W 24" 240W 36" 360W 46" 420W-480W
Environment	Wet Location - IP67. Operating Temperature - 40°F to 122°F
Warranty	5 yr / 50,000 hour limited warranty
CRI	80+
Certifications	ETL / UL Listed 1598 / BAA and BABA Options Available

ORDERING GUIDE

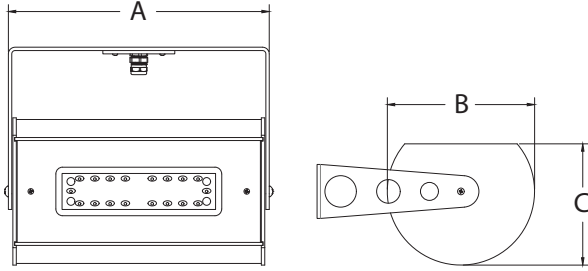
Make selections by filling out the top row or highlighting options.

1500	SERIES	LENGTH	OUTPUT	CCT	VOLTAGE	CONTROL	MOUNTING	FINISH	ACCESSORY	CERTIFICATIONS
1500	1500	14 14"nom 18 18"nom 24 24"nom 36 36"nom 46 46"nom	L30 30W L40 40W L50 50W L60 60W L80 80W L90 90W L100 100W L120 120W L150 150W L180 180W L200 200W L240 240W L360 360W L420 420W L480 480W CU CUSTOM	30 3000K 35 3500K 40 4000K 50 5000K	U 120-277V	ND NON DIMMING D1 0-10V DIMMING	SW SWIVEL MOUNT YK YOKE MOUNT PS36 SINGLE PENDANT* PD36 DOUBLE PENDANT* Ax EXTENDED ARM (x=length)**	WH WHITE BL BLACK BZ BRONZE SO SILVER CU CUSTOM	G GLARE SHIELD M MARINE GRADE FINISH E EMERGENCY DRIVER 2 NATATORIUM PC PHOTOCCELL N NONE	BAA BAA BABA BABA N NONE

*120" Max Pendant length **x=36" max

Specifications sheets are subject to change without notification.

FIXTURE SIZES



FINISHES (POWDER COATED)



FIXTURE	A	B	C	WT.
14"	14½"	8⅜"	6¾"	10 lbs
18"	18½"	8⅜"	6¾"	12lbs
24"	24½"	8⅜"	6¾"	15 lbs
36"	36½"	8⅜"	6¾"	22 lbs
46"	46½"	8⅜"	6¾"	30 lbs

MOUNTING INSTALLATION

SWIVEL MOUNT

A heavy duty adjustable swivel mount with mounting plate. 24" fixtures and longer requires (2) swivel mounts. Power wires feed through swivel.

1 After installing mounting plate to surface, feed wire through swivel mount.

2 Attach extrusion swivel onto swivel mount.

3 Select angle and secure.

Swivel Mount (Tiltable Increments of 9°)

YOKE MOUNT

Implements rotary mechanics to enable directional adjustments simplicity. The symmetrical structure provides a clean and uniform structure. Mounts to structure via 1/4" screws. Power wires feed through Yoke cord grip.

1 After installing mounting plate to surface, align fixture holes with yoke mount holes.

2 Insert hardware

3 Select angle and secure.

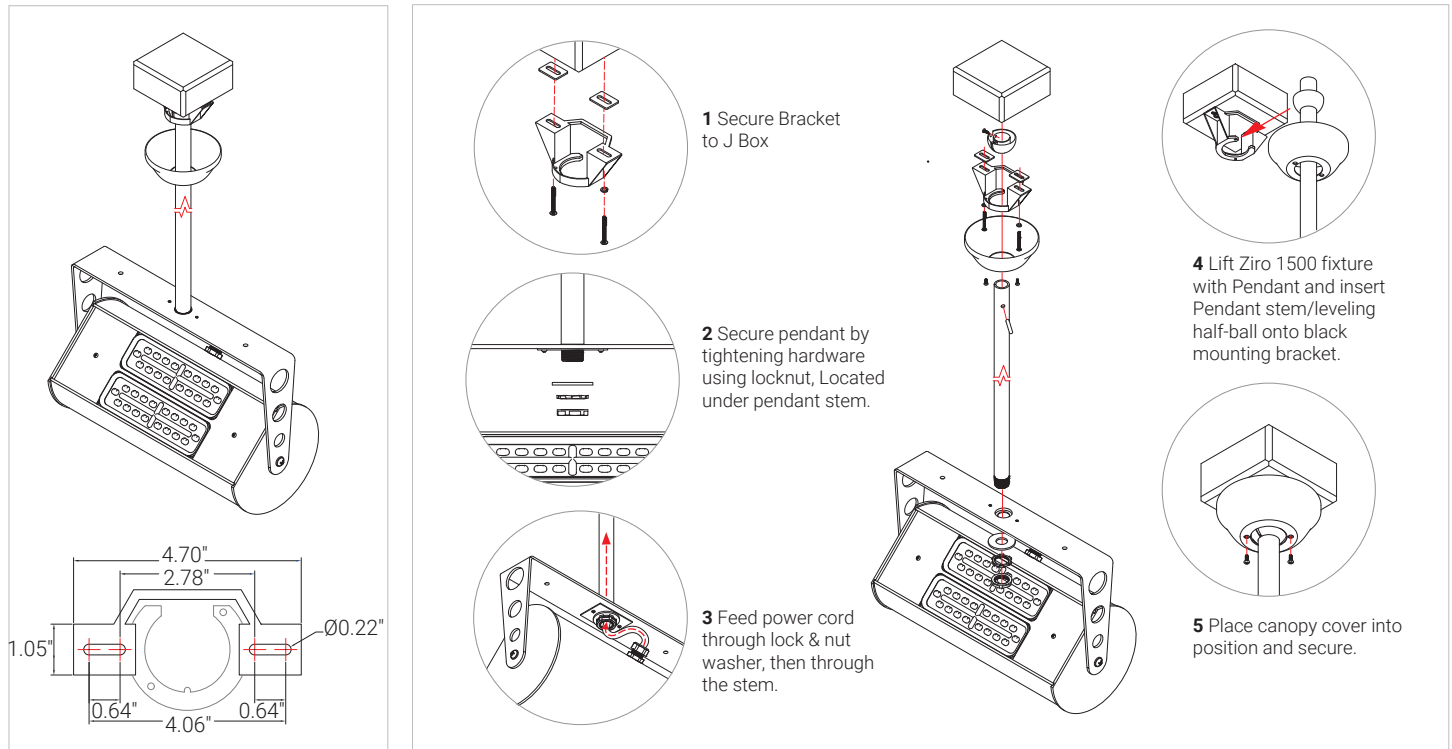
A	B	C
14.5"	9.0"	4.5"
18.5"	12.0"	6.0"
24.5"	12.0"	6.0"
36.5"	24.0"	12.0"
46.5"	36.0"	13.0"

Specifications sheets are subject to change without notification.

MOUNTING INSTALLATION

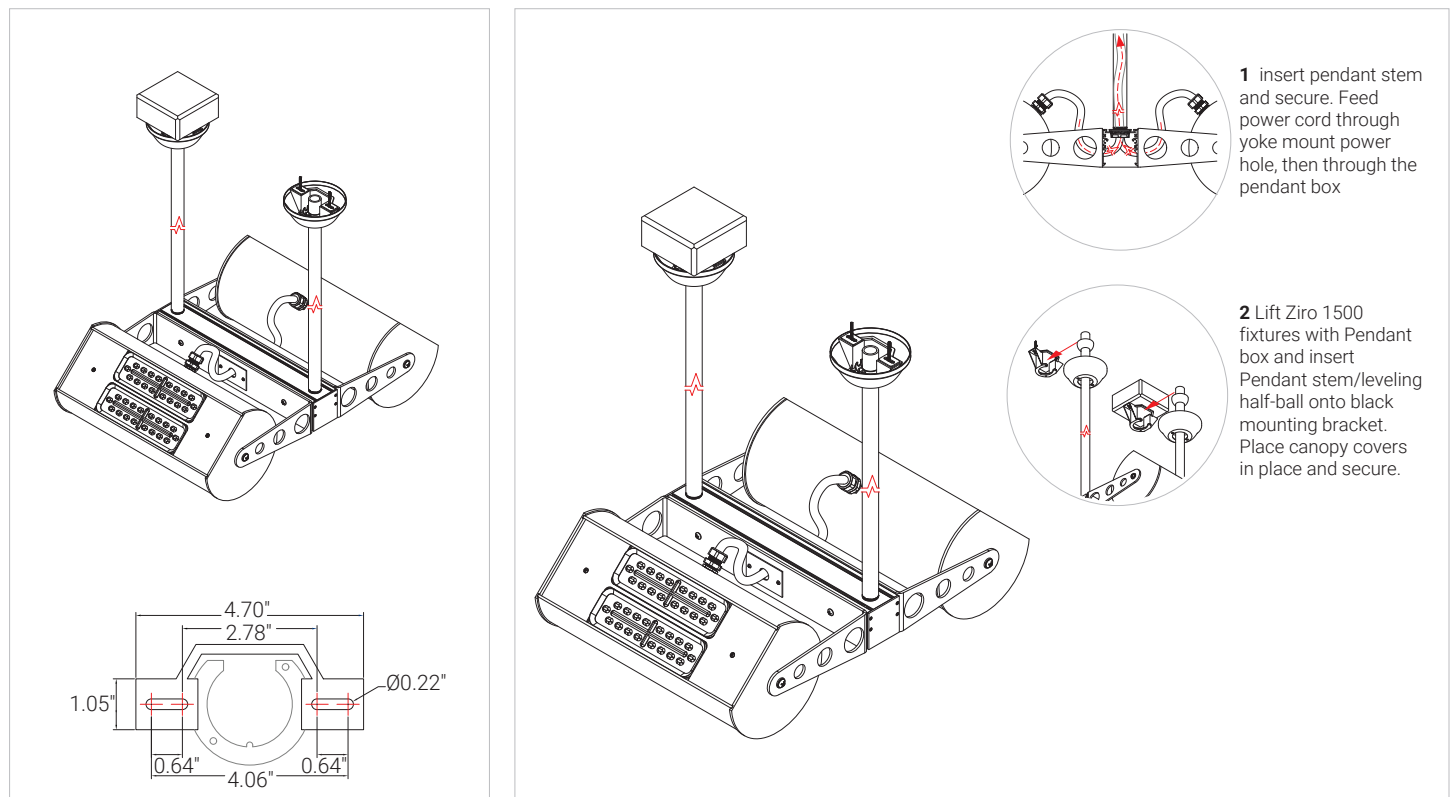
SINGLE FIXTURE, PENDANT MOUNT

With 36" standard stem. Power wires feed through stem.



DOUBLE FIXTURE, PENDANT MOUNT

With 36" standard stems. Power wires feed through stem.

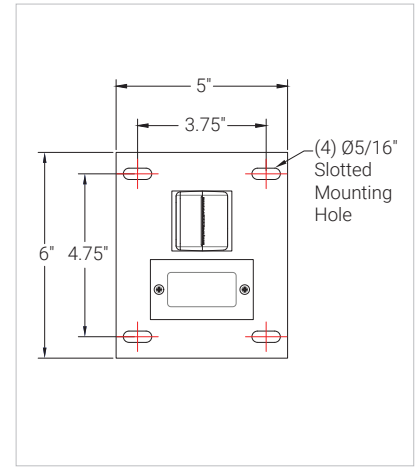
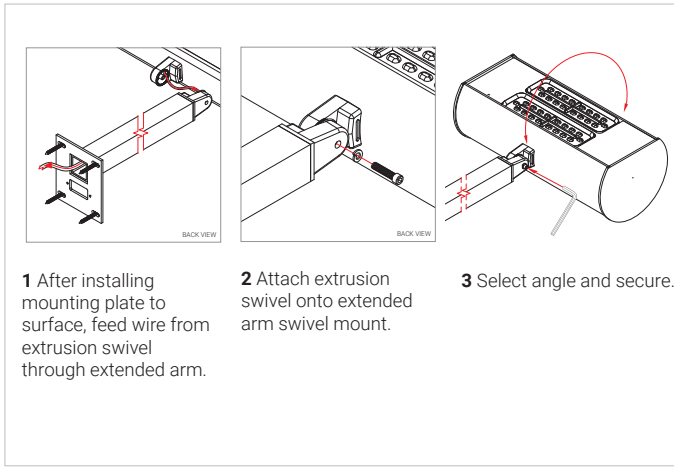
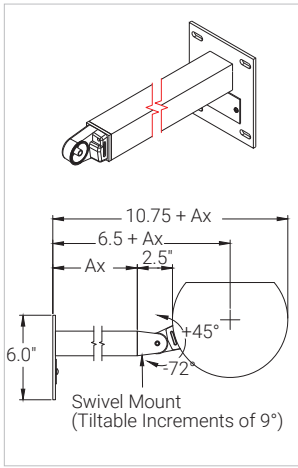


Specifications sheets are subject to change without notification.

MOUNTING INSTALLATION

EXTENDED ARM

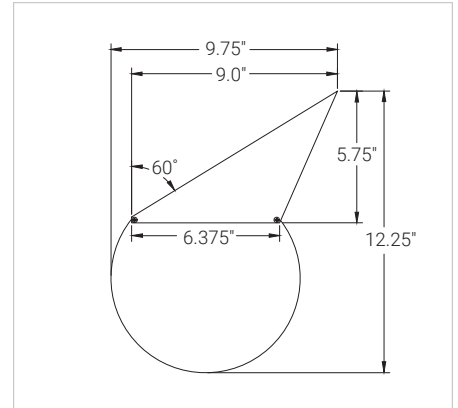
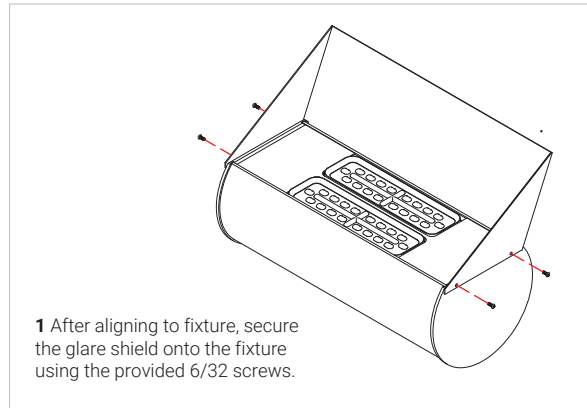
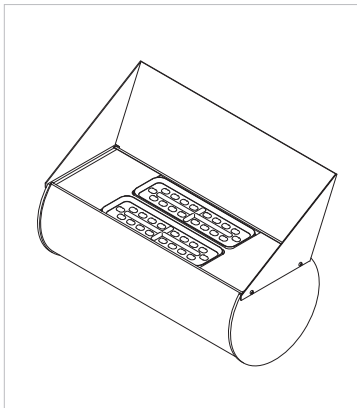
With swivel mount, extended arm is available in 4"-36" lengths. Power cords are routed through arms, exiting close to the wall to connect to an adjacent j-box or other power outlet, providing a tidy installation. 24" fixtures and longer require (2) swivel mounts.



ACCESSORIES

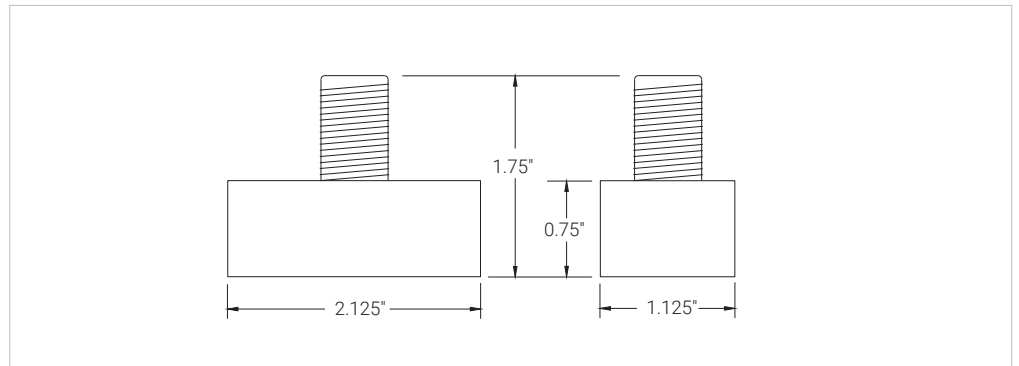
GLARE SHIELD

Minimizes a direct glare, while maintaining the LED output.



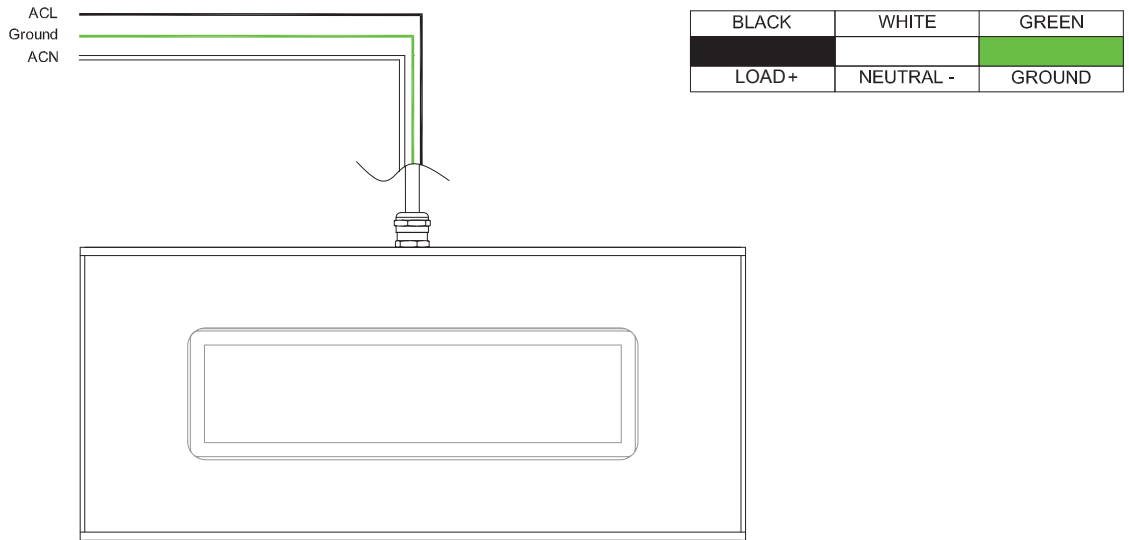
BUTTON PHOTOCELL

Automatically turns ON at dusk and OFF at dawn. Attached to Ziro Fixture.



ELECTRICAL DETAILS

Non-Dimming | 3 Wire | 120-277V



0-10V Dimming | 5 Wire | 120-277V

