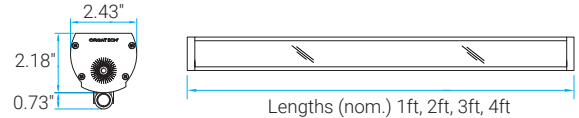


Minatura 1300

Linear Wallwash LED

120-277VAC



Project
Date



DESCRIPTION

High performance, very low profile, linear wallwash luminaire combining state-of-the-art power conversion with powerful optical lenses and inspired architectural design. Simple specification and snap-together power and control connectors enable time saving installation and long connected runs up to 295ft. Lens options enable grazing or long throw and increase lumen output by up to 5X over 120° unlensed fixture for higher surface luminance, longer throw and improved energy efficiency. Fixtures run 10° cooler than competing products and ensure long LED life in extreme climates such as desert locations.

FEATURES

Construction	Anodized Aluminum w/ Diecast Endcaps. Polycarbonate lenses.
Length (nom.)	1ft, 2ft, 3ft, 4ft
Weight	1lb/ft
White CCT	2700K, 3000K, 3500K, 4000K, 5000K
Dimming	Non-dimming, 0-10V Dimming, Forward Phase(TRIAC), Reverse Phase(ELV)
Optics	15°, 30°, 45°, 120°
Mounting	Swivel Mount, Extended Arm, L Bracket, Cantilever Arm, & Permapost
Finish	Anodized Silver

PERFORMANCE

Electrical	120-277V AC, Row Interconnection or Daisy Chain with input/output IP67 Jumper Cables.
LED Wattage	LS 4.5W/ft (467lm/ft) / LH 5.8W/ft (600lm/ft) LEH 7.2W/ft (750lm/ft) / LXH 9.64W/ft (1000lm/ft)
Max Run	295ft
Environment	Wet Location - IP67. Operating Temperature - 22°F to 122°F
Warranty	5 yr / 50,000 hour limited warranty
CRI	90+
Certifications	UL Listed

LS 4.5W/ft	Delivered Output	Watts
1ft	467lm	4.5w
2ft	934lm	9w
3ft	1401lm	13.5w
4ft	1868lm	18w

LH 5.8W/ft	Delivered Output	Watts
1ft	600lm	5.8w
2ft	1200lm	11.6w
3ft	1800lm	17.4w
4ft	2400lm	23.2w

LEH 7.2W/ft	Delivered Output	Watts
1ft	750lm	7.2w
2ft	1500lm	14.4w
3ft	2250lm	21.6w
4ft	3000lm	26.8w

LXH 9.64W/ft	Delivered Output	Watts
1ft	1000lm	9.6w
2ft	2000lm	19.3w
3ft	3000lm	28.9w
4ft	4000lm	38.6w

*based on 30° optics

ORDERING GUIDE

Make selections by filling out the top row or highlighting options.

1300	SERIES	LENGTH	OUTPUT	CCT	VOLTAGE	CONTROL	OPTICS	MOUNTING	FINISH	ACCESSORY
1300		1 1'nom 2 2'nom 3 3'nom 4 4'nom	LS STANDARD LH HIGH LEH EXTRA HIGH LEH EXTREMELY HIGH	27 2700K 30 3000K 35 3500K 40 4000K 50 5000K	U 120-277V	ND NON DIMMING D1 0-10V DIMMING TRI FORWARD PHASE ELV REVERSE PHASE	15 15° 30 30° 45 45° 120 120°	SW SWIVEL MOUNT Ax EXTENDED ARM (x=length - 4 - 36in) LB L BRACKET	SO SILVER	G GLARE SHIELD P PERMAPOST Cx CANTILEVER ARM (x=length-up to 18in) Sax SWIVEL ARM (x=length) M MARINE GRADE FINISH 2 NATATORIUM N NONE

Specifications sheets are subject to change without notification.

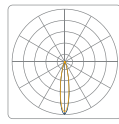


OPTICS & FIXTURE SIZES

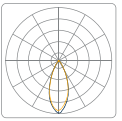
OPTICS



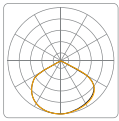
15°



30°



45°



120°

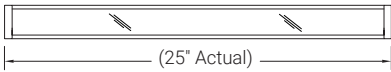


FIXTURE SIZES

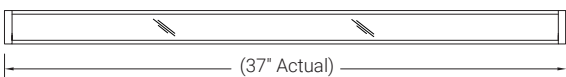
1ft nom.



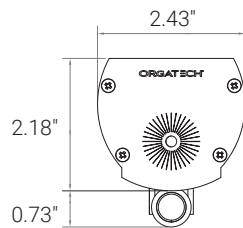
2ft nom.



3ft nom.



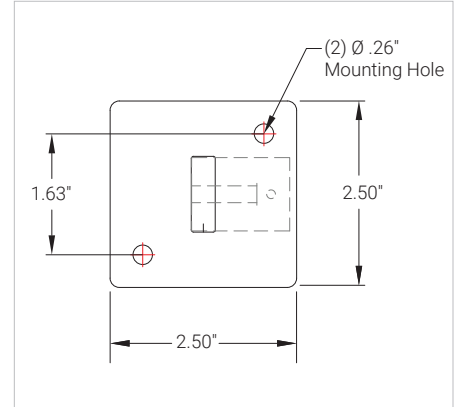
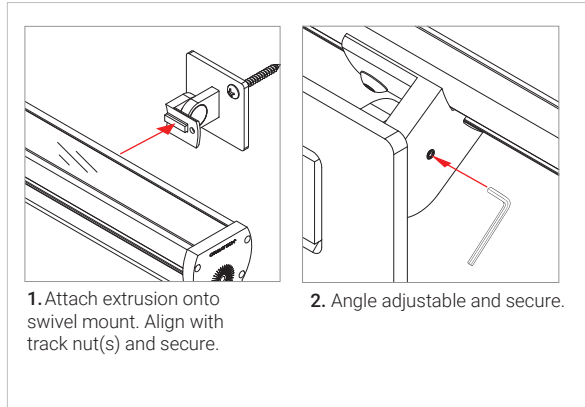
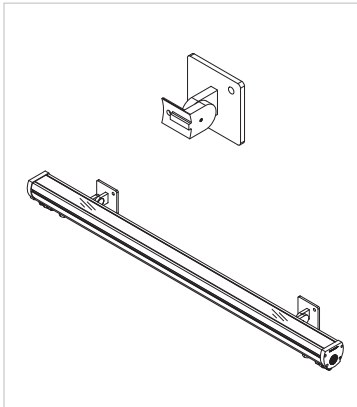
4ft nom.



MOUNTING INSTALLATION

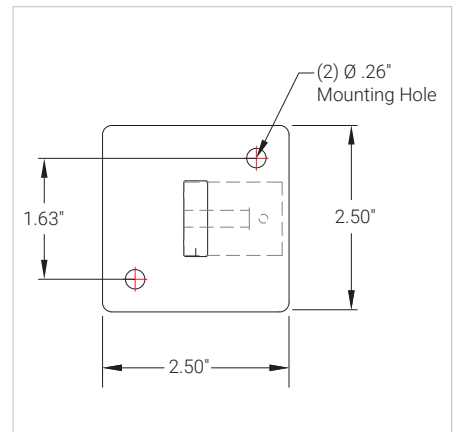
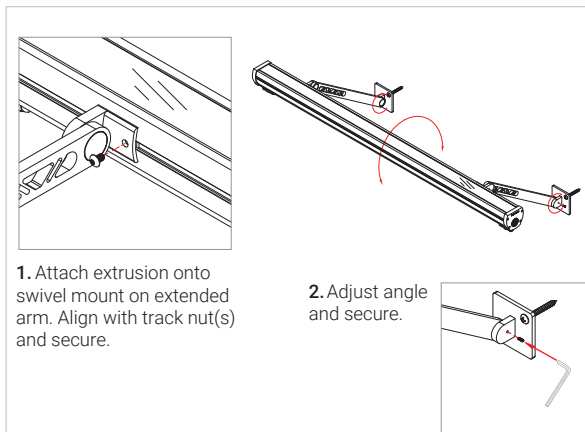
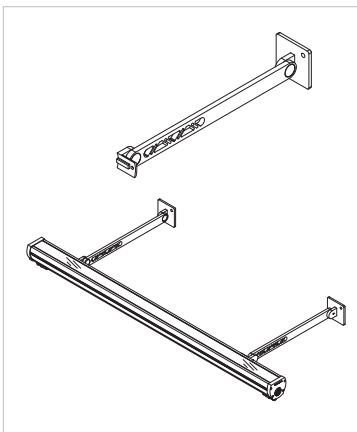
SWIVEL MOUNT

A heavy duty adjustable swivel mount with mounting plate.



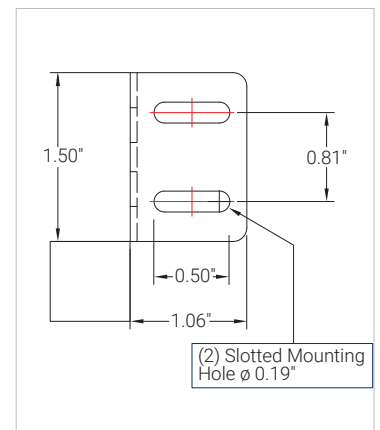
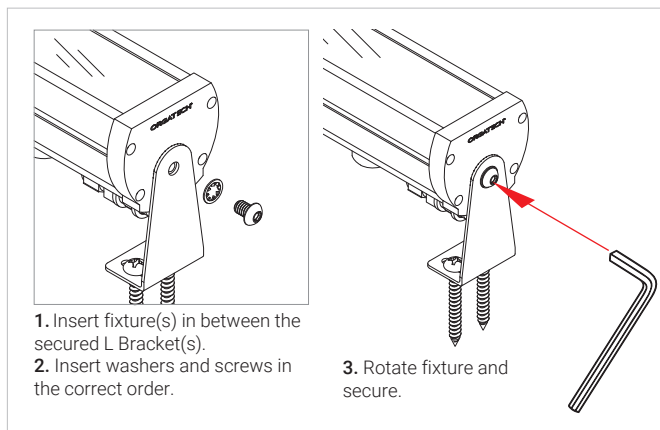
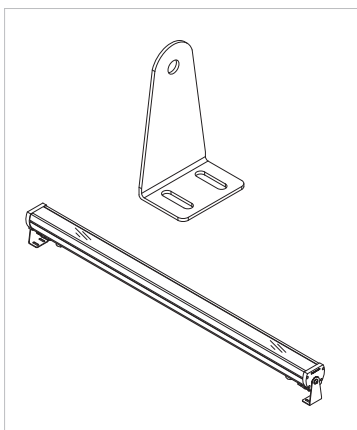
EXTENDED ARM

Extended arm is available in 4"-36" lengths.



L BRACKET

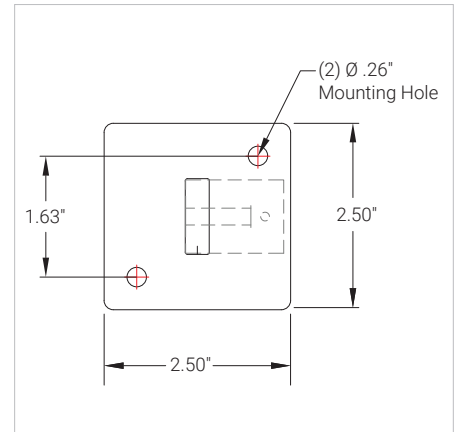
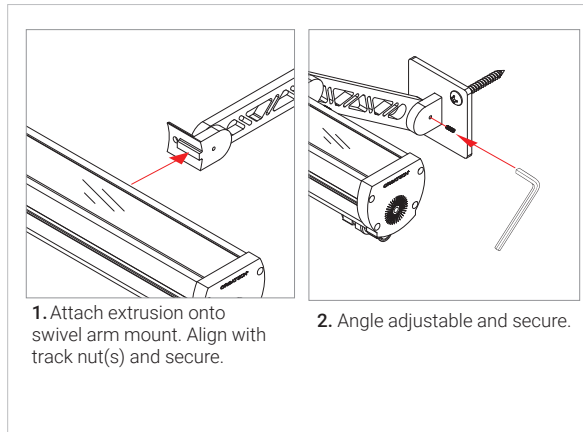
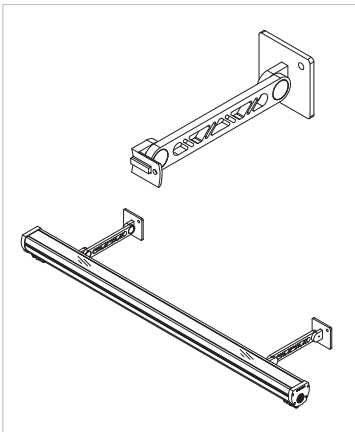
Surface mounts in position with 1/4" screws (not supplied). Fixtures 4ft + require two brackets.



ACCESSORIES

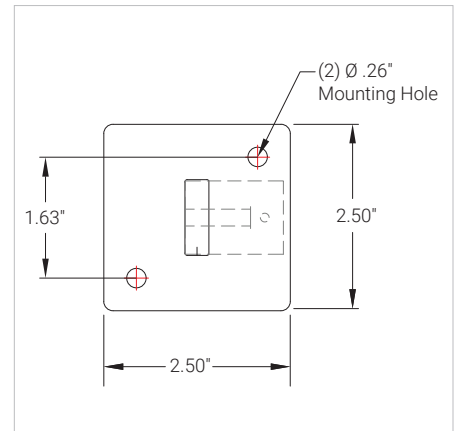
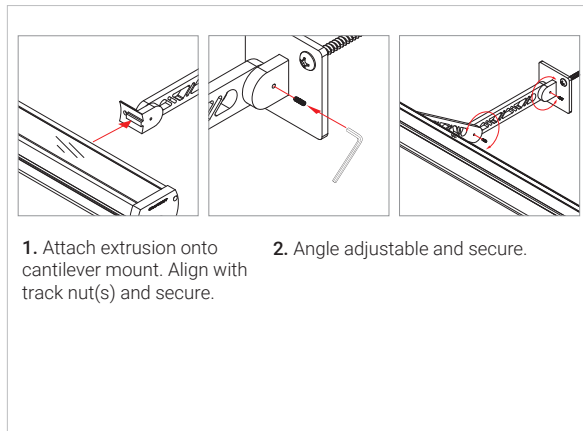
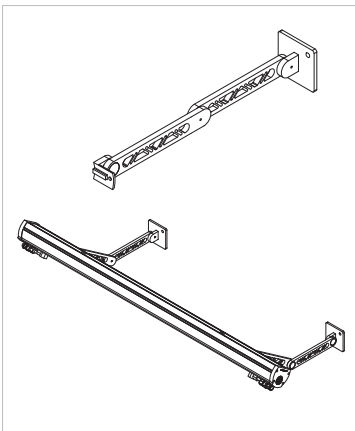
SWIVEL ARM

With swivel arm, extended arm is available in 4"-36" lengths.



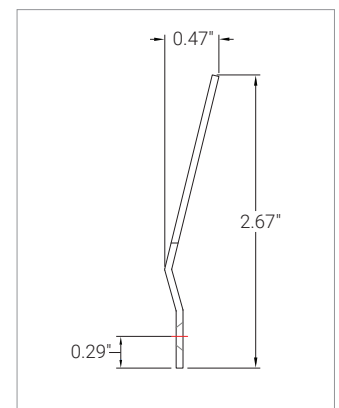
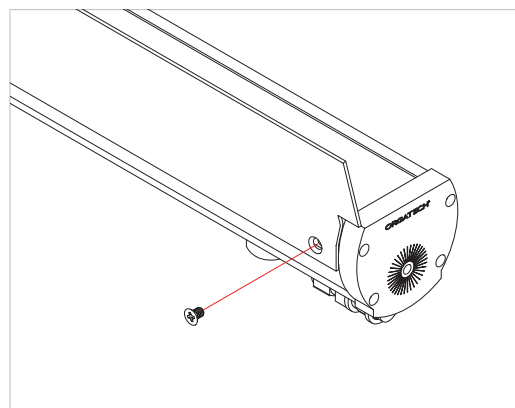
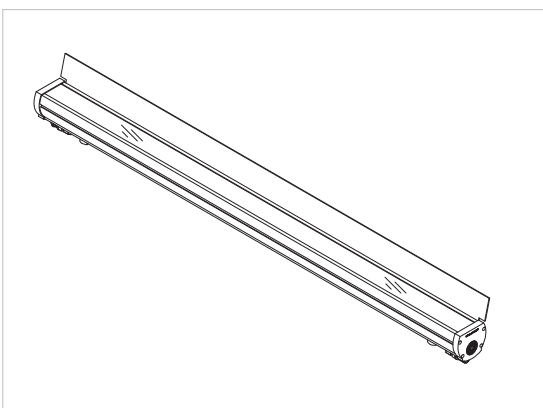
CANTILEVER ARM

With swivel arm, extended arm is available in 4"-36" lengths.



GLARE SHIELD

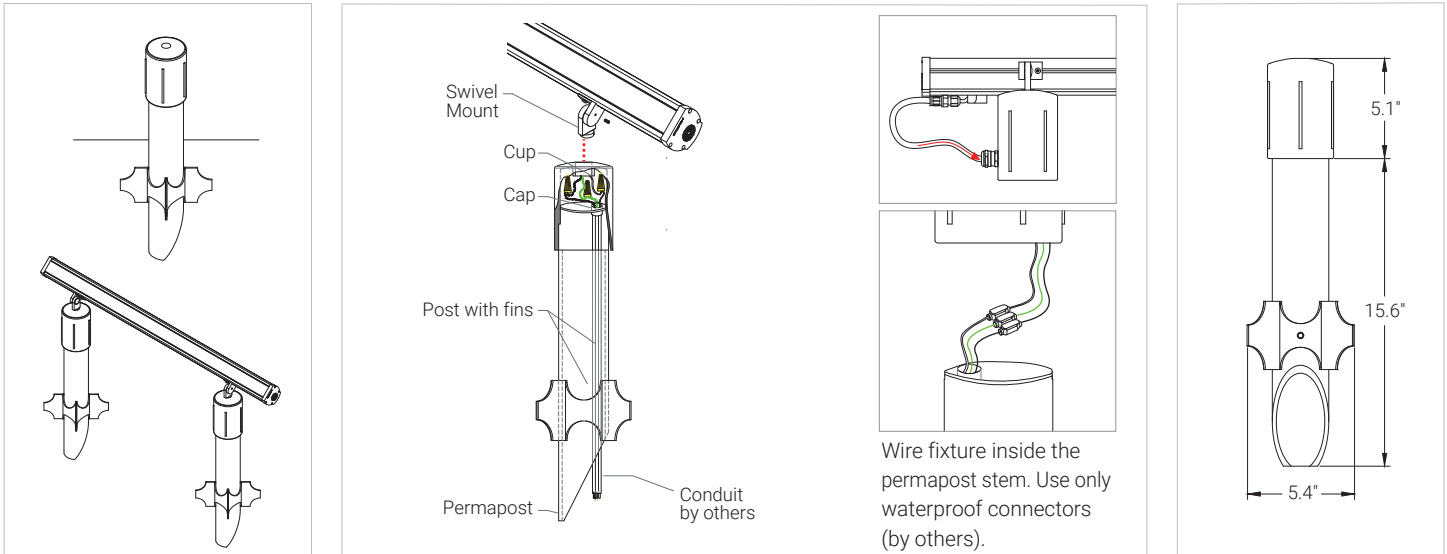
Minimizes a direct glare, while maintaining the LED output.



ACCESSORIES

PERMAPOST

Provides easy at-grade installation. Includes swivel mount with 1/2" nipple. Fixture must be mounted at least 4" above ground level to avoid water accumulation.



ACCESSORIES

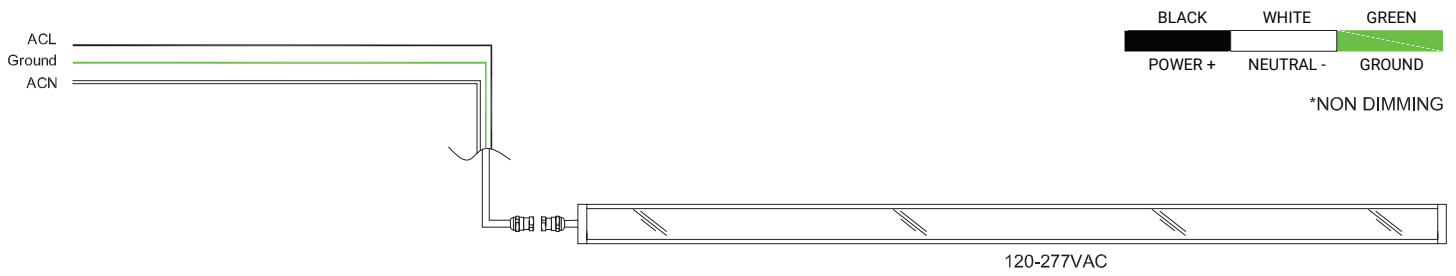
Part #	Description
OGL12SC3P	12" Starter Lead (non-dimming)
OGL24SC3P	24" Starter Lead (non-dimming)
OGL48SC3P	48" Starter Lead (non-dimming)
OGL12J3P	12" Jumper (non-dimming)
OGL24J3P	24" Jumper (non-dimming)
OGL48J3P	48" Jumper (non-dimming)
OGLEH	End Cap for 3 Pin Connectors

*longer cable lengths available per request.

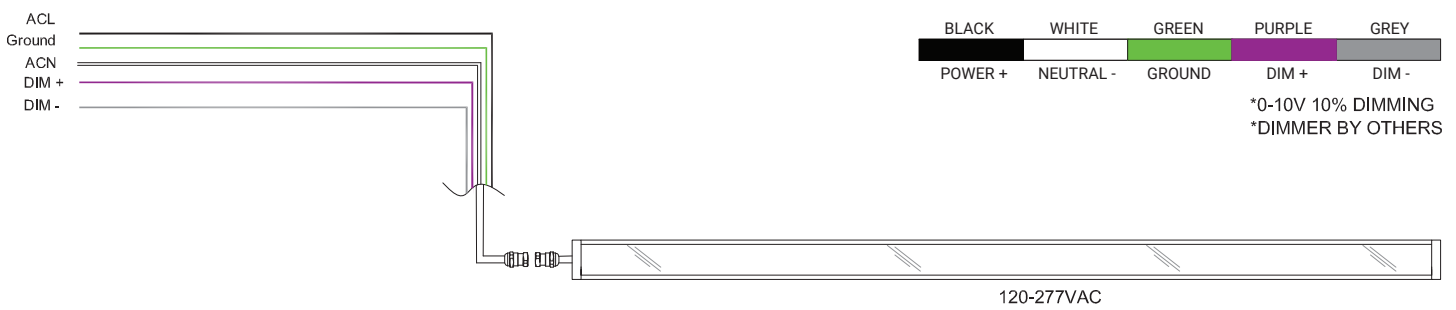
Part #	Description
OGL12SC5P	12" Starter Lead (dimming)
OGL24SC5P	24" Starter Lead (dimming)
OGL48SC5P	48" Starter Lead (dimming)
OGL12J5P	12" Jumper (dimming)
OGL24J5P	24" Jumper (dimming)
OGL48J5P	48" Jumper (dimming)
OGLEL	End Cap for 5 Pin Connectors

ELECTRICAL DETAILS

Non-Dimming | 3 Wire

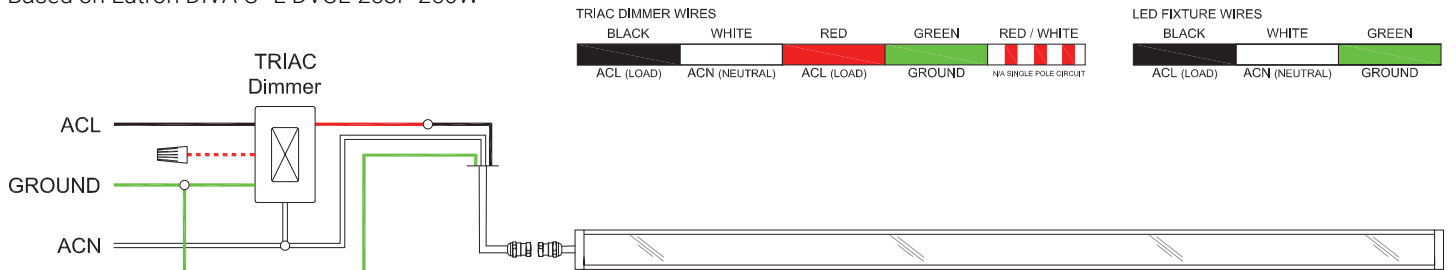


0-10V Dimming | 5 Wire



TRIAC | Forward Phase | 3 Wire

Based on Lutron DIVA C•L DVCL-253P 250W



ELV | Reverse Phase | 3 Wire

Based on Lutron DIVA DVRP-253P 250W & Lutron DIVA DVELV-303P-WH 300W

