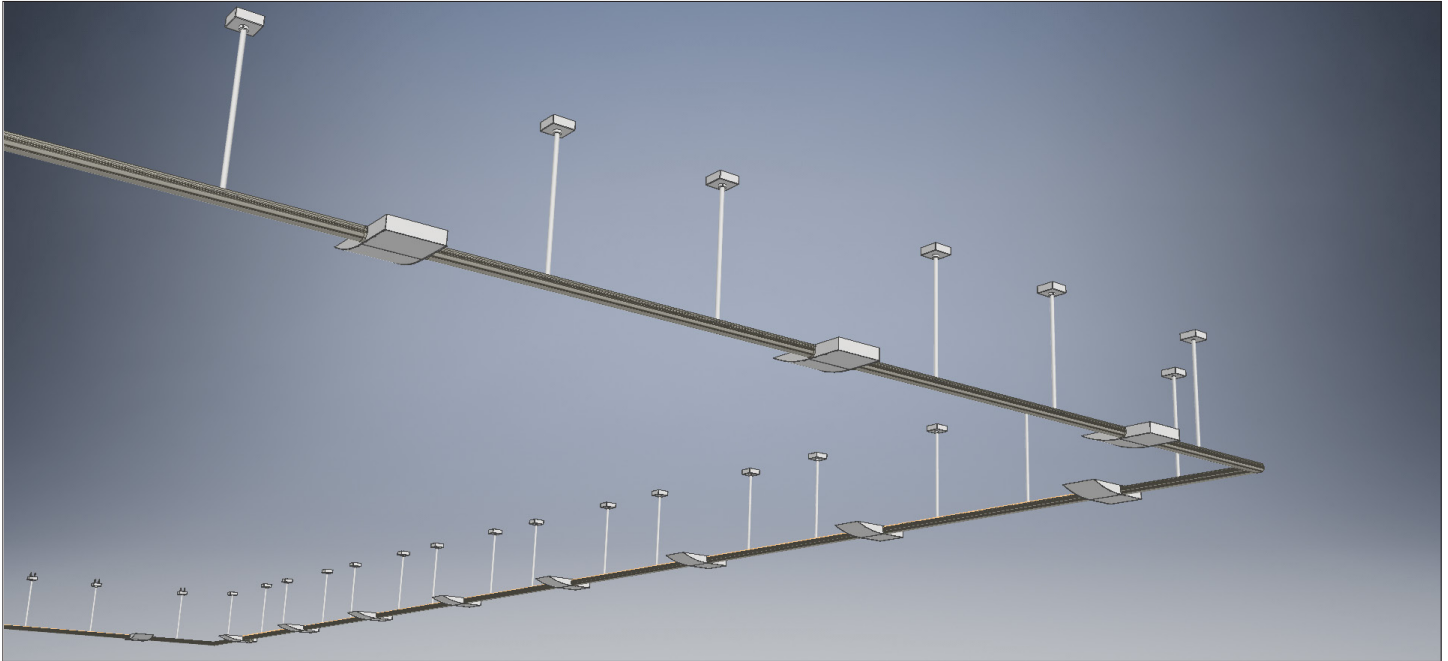




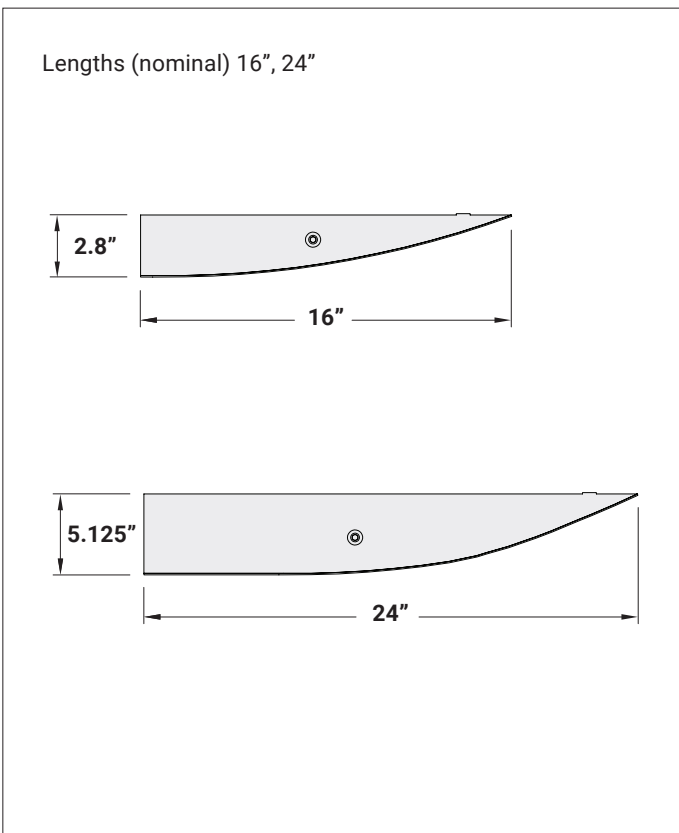
WARNING!

IMPORTANT NOTICE.

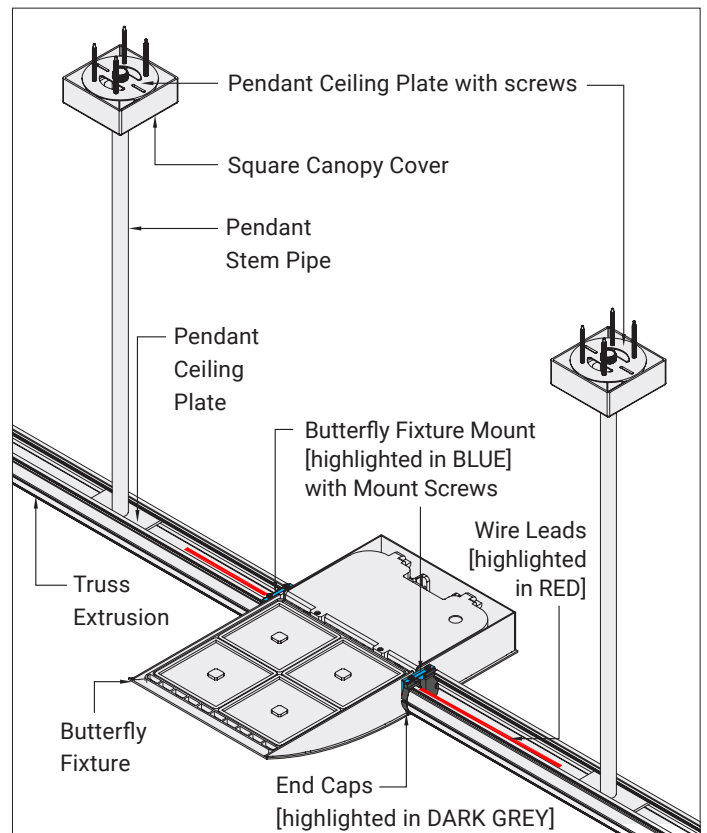
- READ THE PROVIDED INSTRUCTIONS PRIOR TO INSTALLING.
- INSTALLATION SHOULD BE CARRIED OUT BY QUALIFIED INSTALLERS.
- THE INSTALLER HAS THE FINAL RESPONSIBILITY FOR THE STRENGTH AND RIGIDITY OF THE WALL/CEILING STRUCTURE.
- A MINIMUM OF 2 PEOPLE REQUIRED WHEN INSTALLING LONG LENGTH FIXTURES.



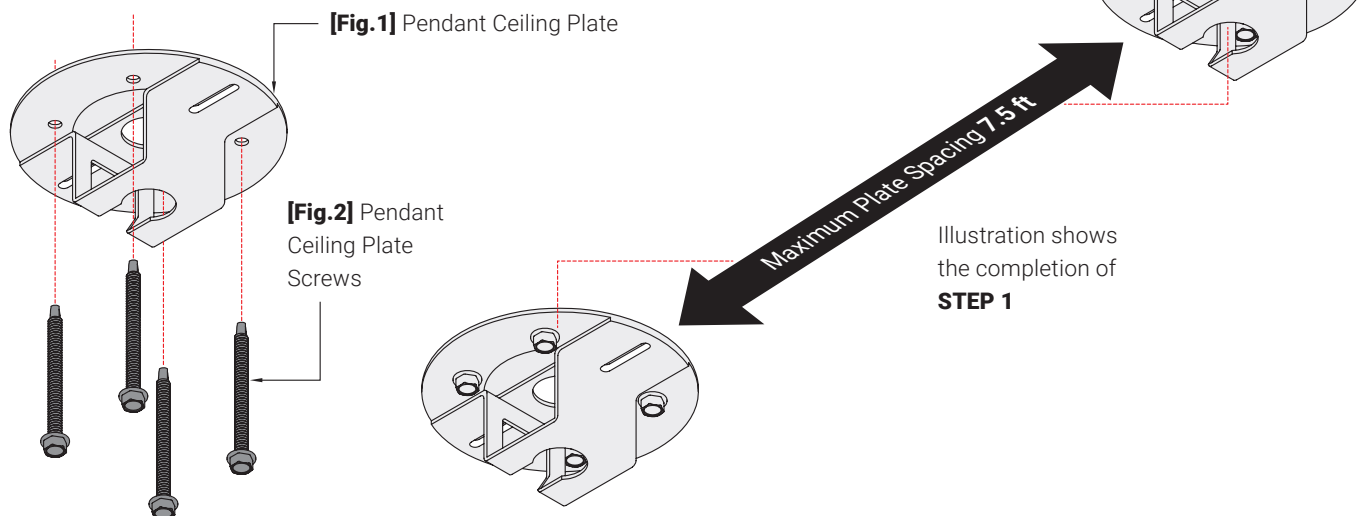
HUB MOUNT DIMENSIONS



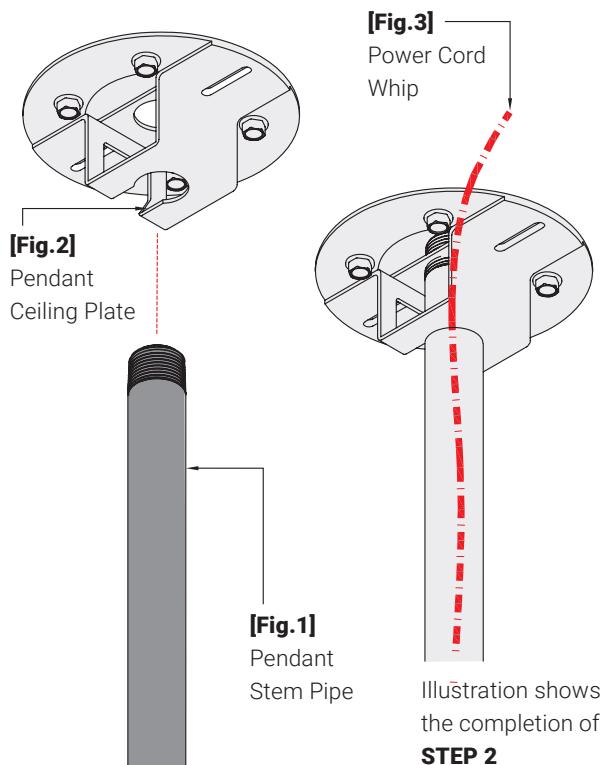
ISOMETRIC VIEW



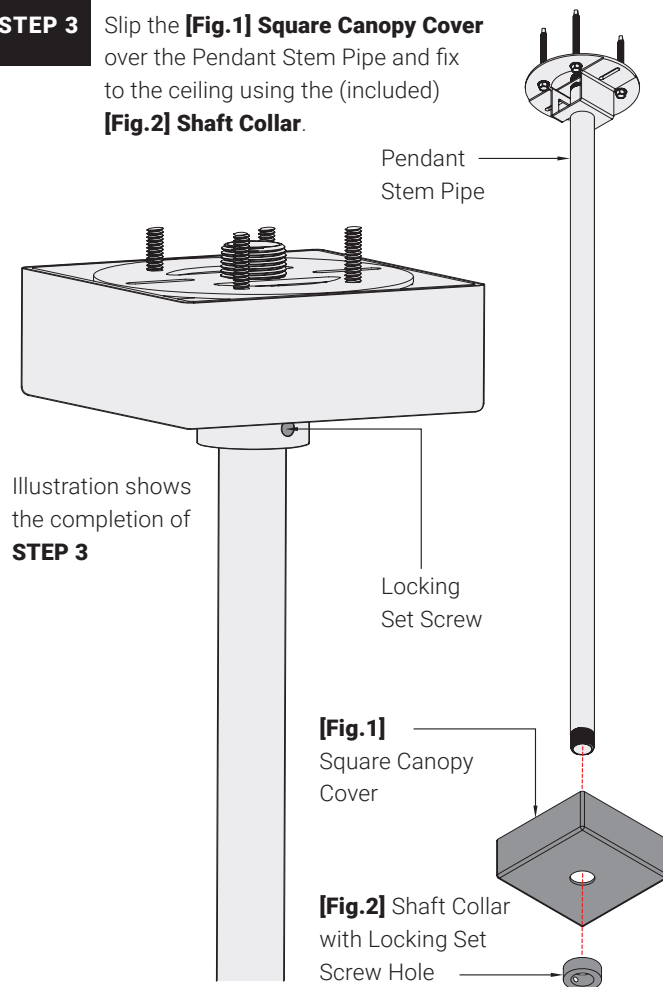
STEP 1 Mount the **[Fig.1] Pendant Ceiling Plate** using the **[Fig.2] Pendant Ceiling Plate Screws**. Ensure spacing between each Pendant Ceiling Plate is **NO LONGER** than 7.5 ft.



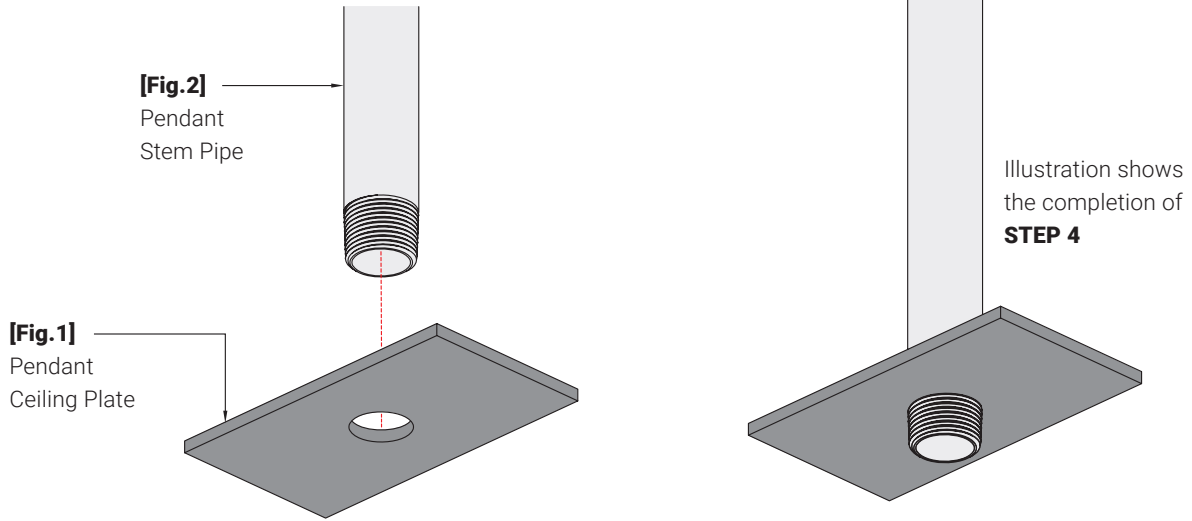
STEP 2 Install **[Fig.1] Pendant Stem Pipe** to the **[Fig.2] Pendant Ceiling Plate**. If the power is required, ensure the **[Fig.3] Power Cord Whip** is inserted in this step. Place Wire Nuts on the cords for accidental powered-on safety.



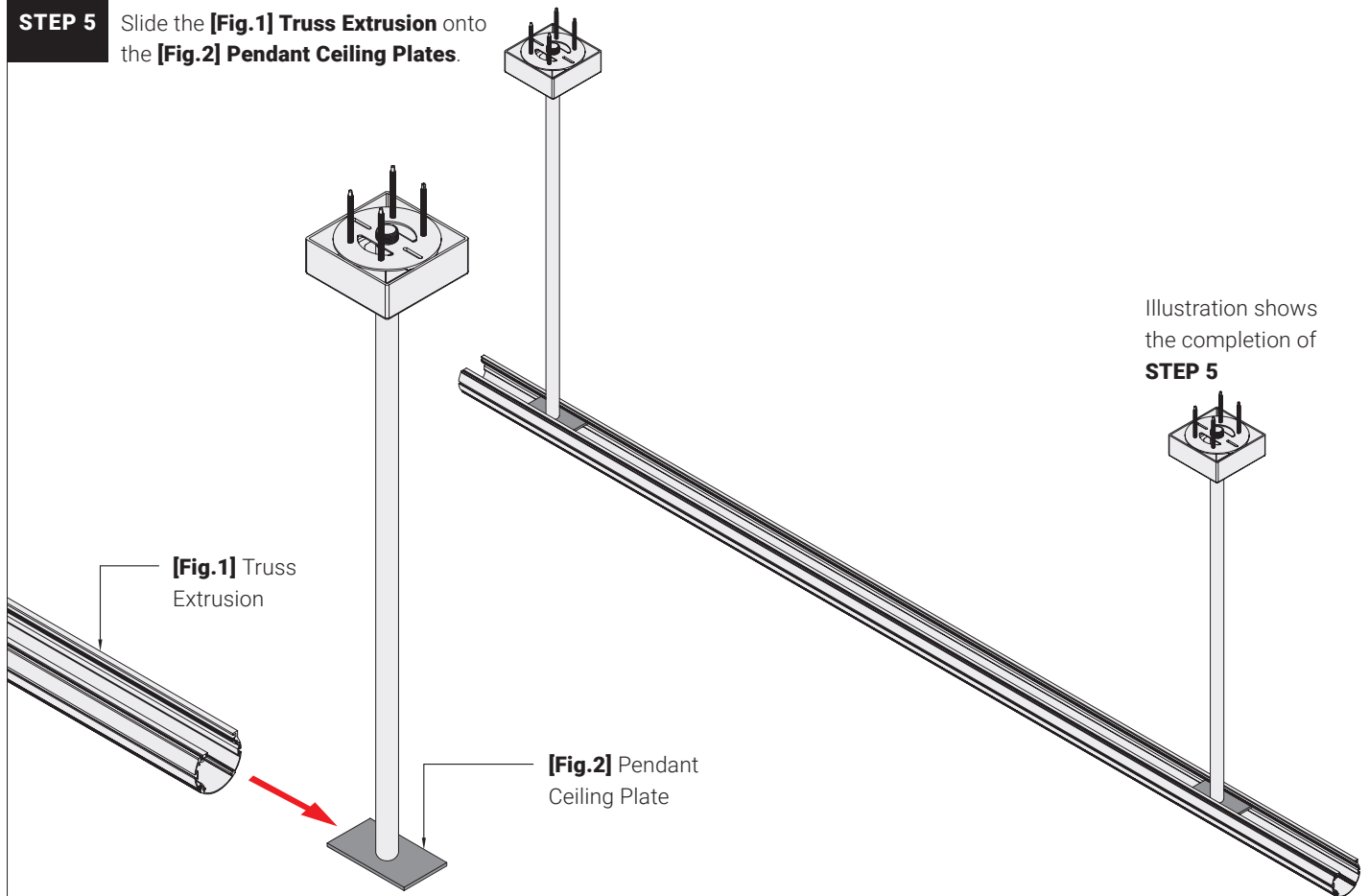
STEP 3 Slip the **[Fig.1] Square Canopy Cover** over the Pendant Stem Pipe and fix to the ceiling using the (included) **[Fig.2] Shaft Collar**.



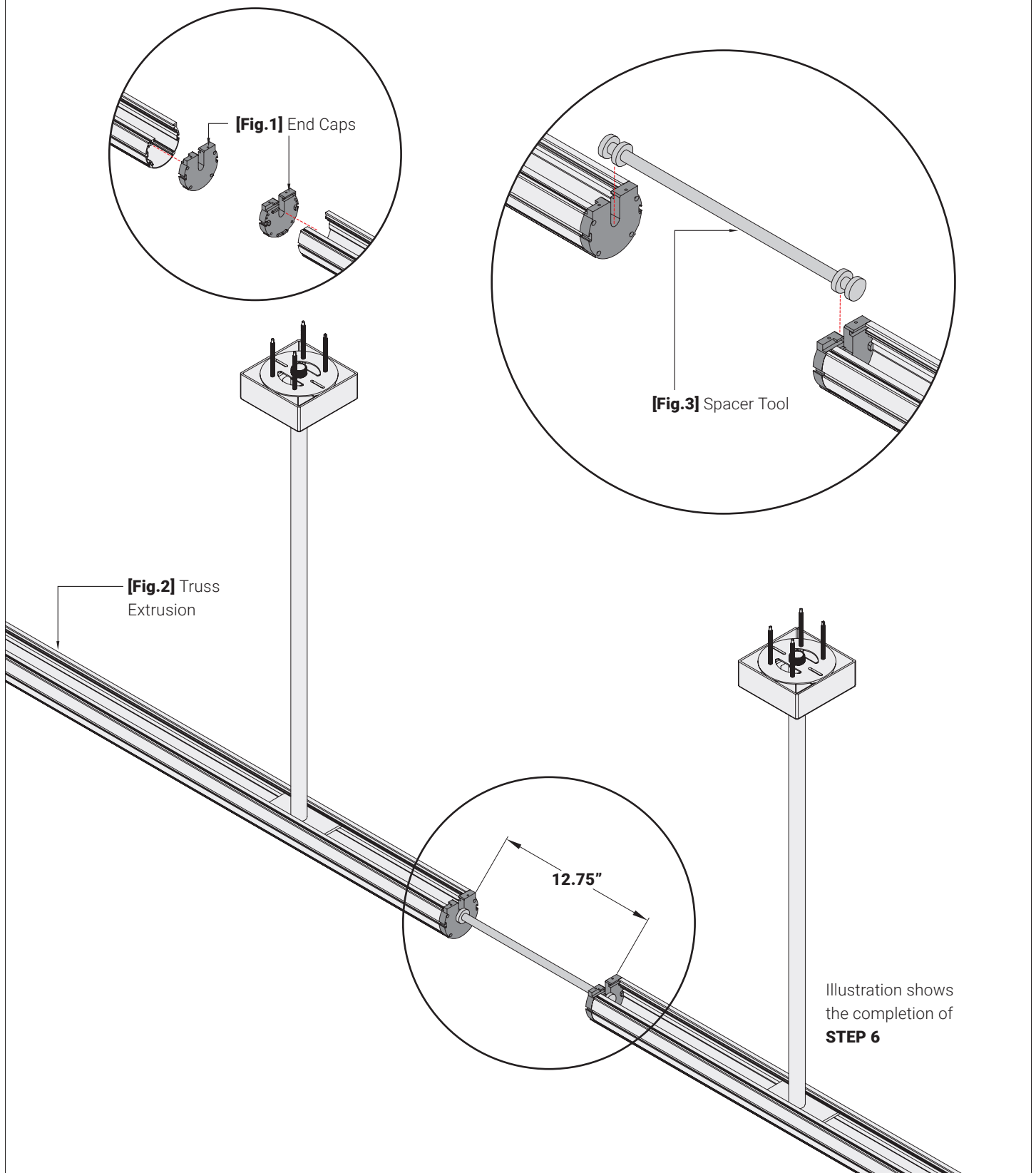
STEP 4 Install the **[Fig.1] Pendant Ceiling Plate** to the **[Fig.2] Pendant Stem Pipe**.



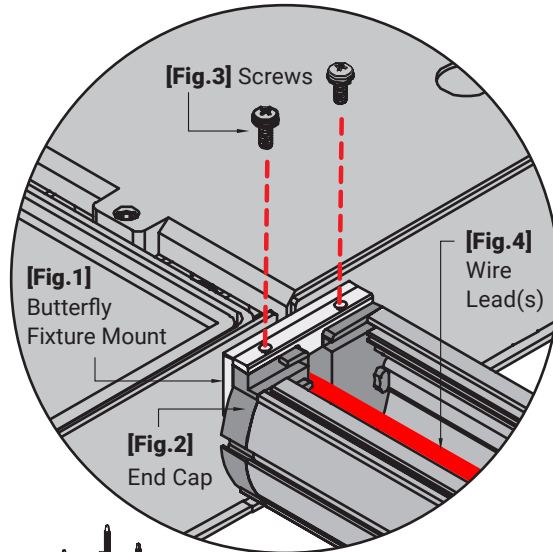
STEP 5 Slide the **[Fig.1] Truss Extrusion** onto the **[Fig.2] Pendant Ceiling Plates**.



STEP 6 Install (provided) **[Fig.1] End Caps** to the **[Fig.2] Truss Extrusion(s)**. Use the (provided) **[Fig.3] Spacer Tool** to ensure the distance between the gap of the next extrusion is 12.75"; this allows for the Butterfly Fixture to drop-install into position.



STEP 7 Once all Truss Extrusions are in place, and End Caps are installed with 12.375" spaced in between, proceed to install the Butterfly Fixings in place.



Align the **[Fig.1] Butterfly Fixture's Mount** to the **[Fig.2] End Cap(s)**, and use the (provided) **[Fig.3] Screws** to fasten in place.

Ensure that the **[Fig.4] Wire Lead(s)** are slotted into the End Caps; this will allow Power Wire through.

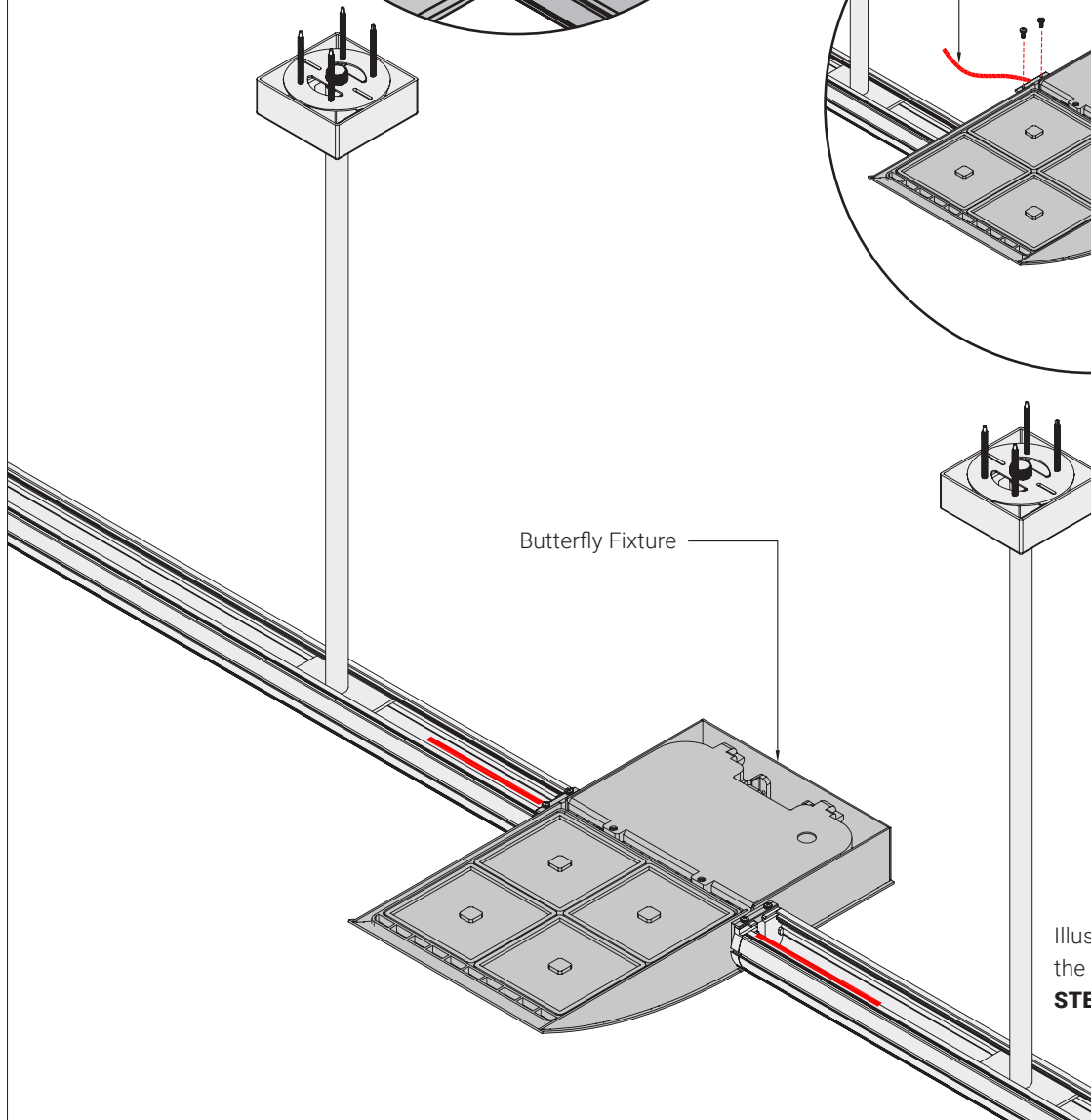
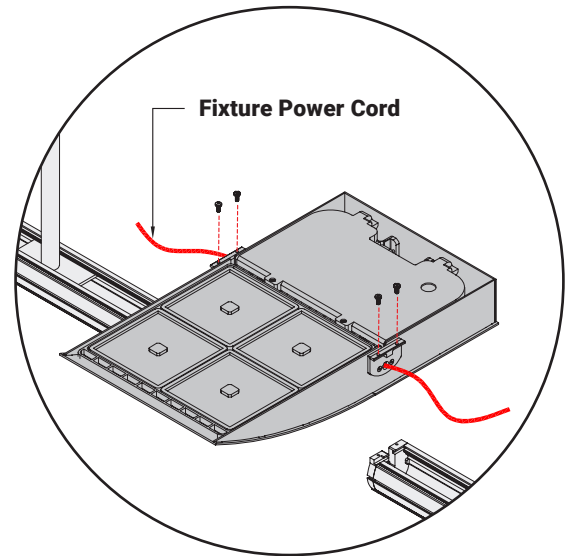
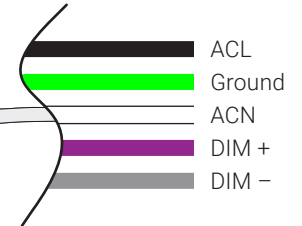
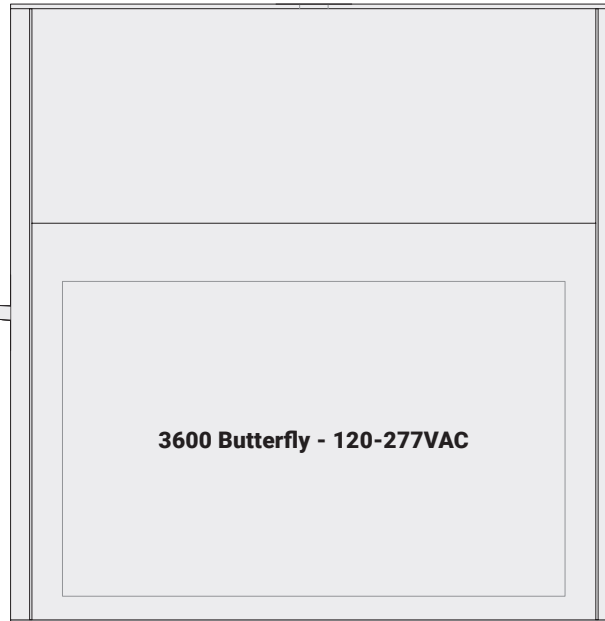
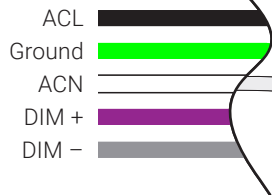


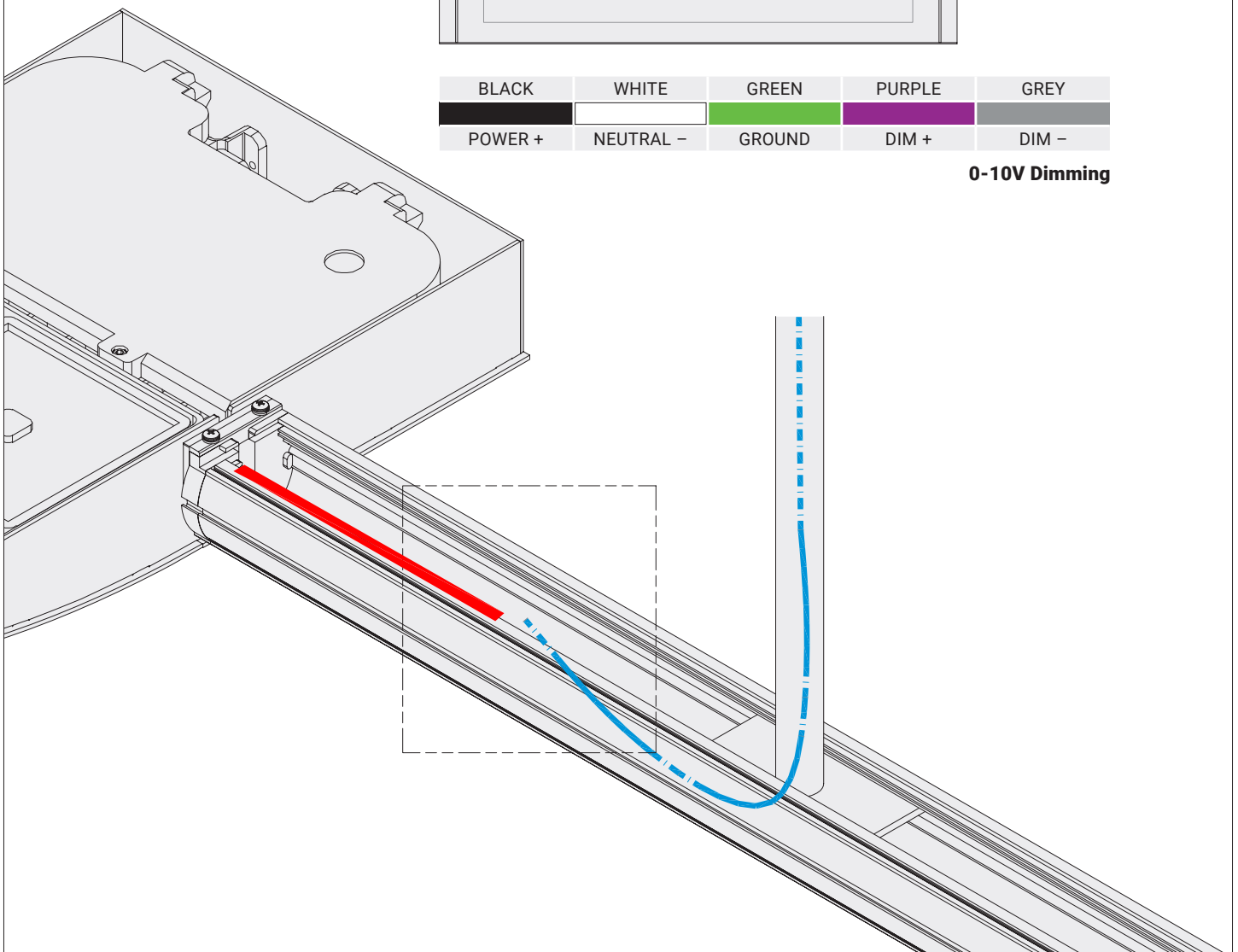
Illustration shows the completion of **STEP 7**

STEP 8 Wire the Butterfly Fixtures using Wire Nuts accordingly.



BLACK	WHITE	GREEN	PURPLE	GREY
POWER +	NEUTRAL -	GROUND	DIM +	DIM -

0-10V Dimming



STEP 9 After wiring stage is completed, install the **[Fig.1] Cover** by sliding it onto the Truss Extrusion, and use the **[Fig.2] Cover Retainer** and **[Fig.3] Cover Retainer Screw(s)** to lock the Lens in place.

