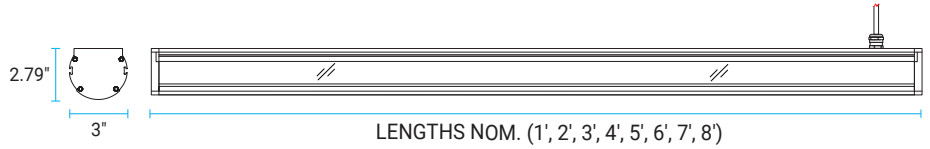


Architura® Signlighter 1400s

120VAC | 277VAC

Project

Date



DESCRIPTION

120V or 277V LED arrays with 120° distribution for general signlighting wallwashing creates a powerful energy efficient and economical linear floodlight. Adjustable aiming. Color temperature, mounting options and finishes are all available to customize the fixture to your specific application. Perfect for signs and wallwashing applications, with unparalleled uniformity.

FEATURES

Construction	Powder coated aluminum with cast end caps. Polycarbonate lenses.
Length (nom.)	1ft, 2ft, 3ft, 4ft, 5ft, 6ft, 7ft, 8ft
Weight	2lbs/ft
White CCT	2700K, 3000K, 3500K, 4000K, 5000K
Dimming	Non-dimming, Forward Phase (TRIAC), Reverse Phase (ELV)
Optics	120°
Mounting	Swivel Mount, Extended Arm, Sliding Bracket, Hub Bracket, & Permapost
Finish	Powder Coated White, Black, Bronze, Silver, Custom

PERFORMANCE

Electrical	120VAC or 277VAC
LED Wattage	LS 4W/ft (480lm/ft) - Standard / LH 8W/ft (960lm/ft)- High
Environment	Wet Location - IP65. Operating Temperature - 22°F to 122°F
Warranty	5 yr / 50,000 hour limited warranty
CRI	90+
Certifications	UL Listed

LS 4w/ft	Delivered Output	Watts
1ft	480lm	4w
2ft	960lm	8w
3ft	1440lm	12w
4ft	1920lm	16w
5ft	2400lm	20w
6ft	2880lm	48w
7ft	3360lm	28w
8ft	3840lm	32w

LH 8w/ft	Delivered Output	Watts
1ft	960lm	8w
2ft	1920lm	16w
3ft	2880lm	24w
4ft	3840lm	32w
5ft	4800lm	40w
6ft	5760lm	48w
7ft	6720lm	56w
8ft	7680lm	64w

ORDERING GUIDE

Make selections by filling out the top row or highlighting options.

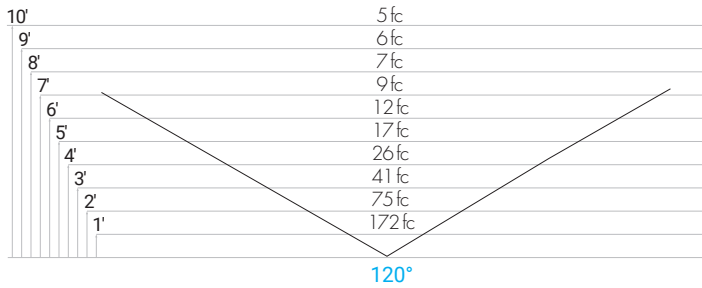
1400s	SERIES	LENGTH	OUTPUT	CCT	VOLTAGE	CONTROL	OPTICS	MOUNTING	FINISH	ACCESSORY
1400s	1	1'nom	LS STANDARD	27 2700K	AC120 120V	ND NON DIMMING	120 120°	SW SWIVEL MOUNT	WH WHITE	B BLADE LOUVER
	2	2'nom	LH HIGH	30 3000K	AC277 277V	TRI FORWARD PHASE		Ax EXTENDED ARM (x=length)	BL BLACK	G GLARE SHIELD
	3	3'nom		35 3500K		ELV REVERSE PHASE		SB SLIDING BRACKET	BZ BRONZE	P PERMAPOST
	4	4'nom		40 4000K					SO SILVER	M MARINE GRADE FINISH
	5	5'nom		50 5000K					CU CUSTOM	2 NATATORIUM
	6	6'nom								N NONE
	7	7'nom								
	8	8'nom								

Specifications sheets are subject to change without notification.

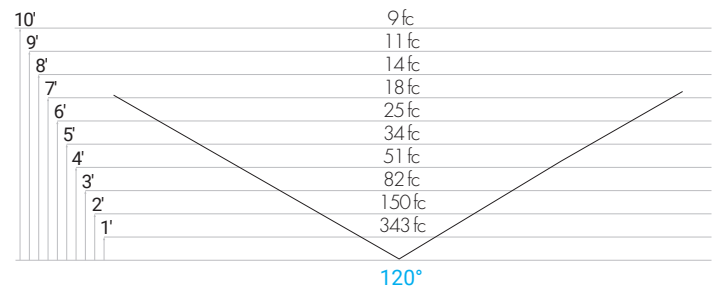
PHOTOMETRICS AND OPTICS

Aiming fixtures with the lens options shown enable perfect asymmetric performances to meet the needs of any signlighting or wallwashing project. Combining easy specification with easy aiming for long throw with even, shadowless distribution.

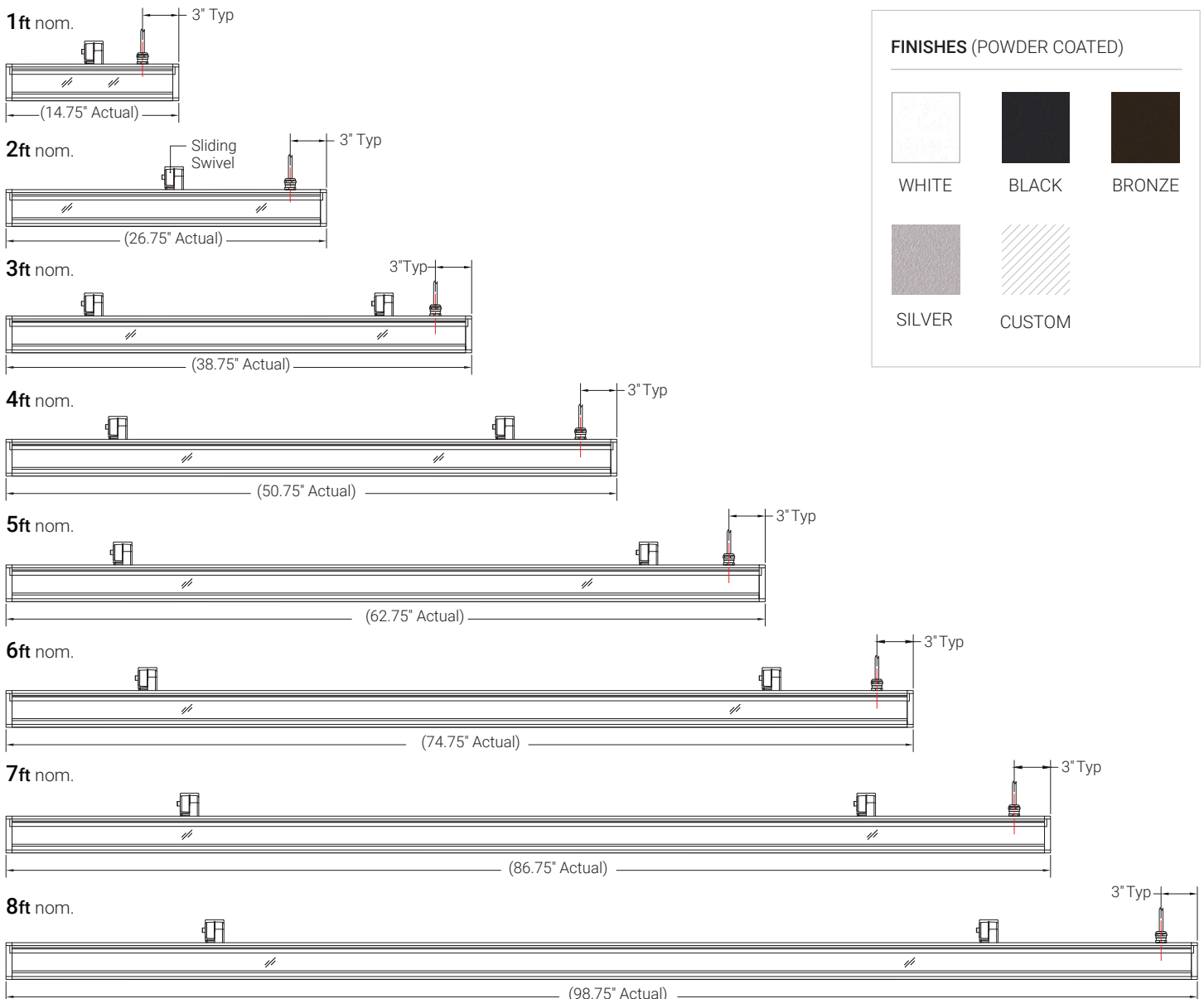
PHOTOMETRIC DATA - LS 4W/ft (based off 4ft fixture)



PHOTOMETRIC DATA - LH 8W/ft (based off 4ft fixture)



FIXTURE SIZES

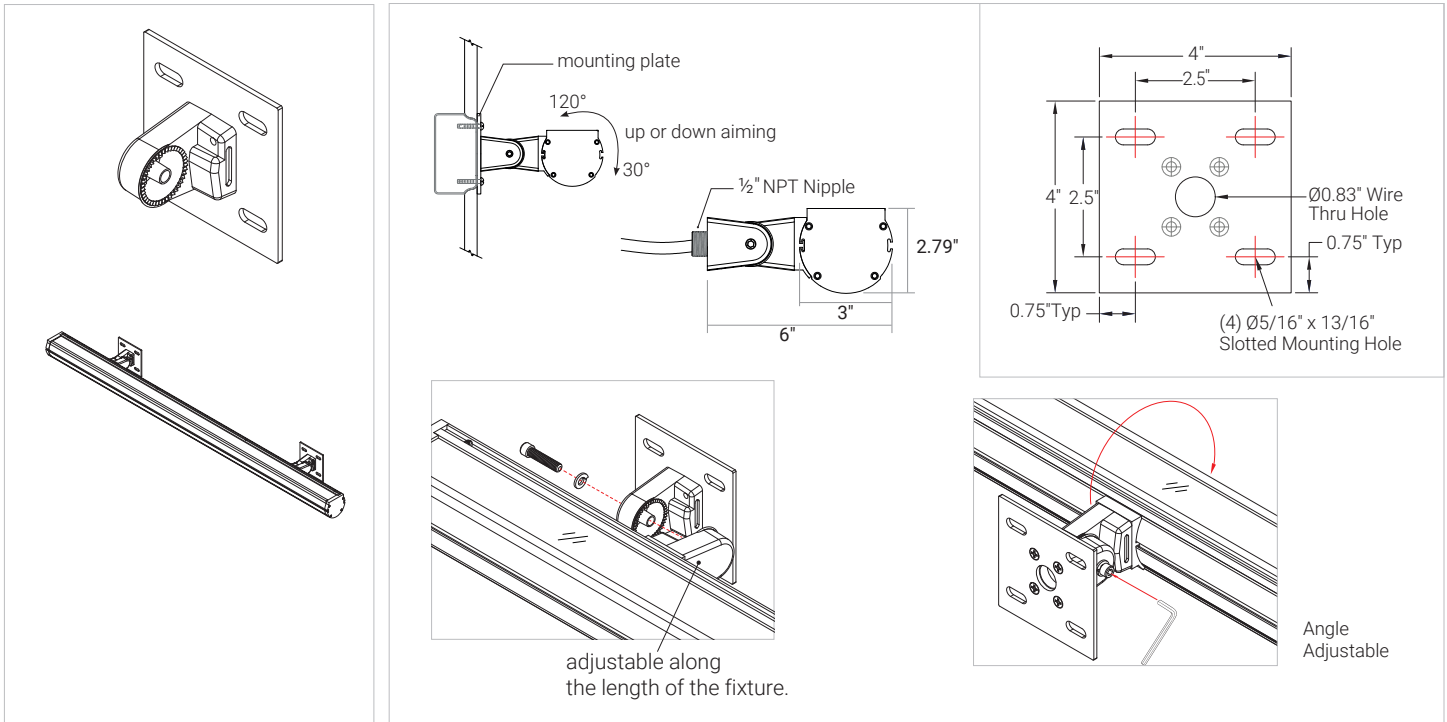


Specifications sheets are subject to change without notification.

MOUNTING INSTALLATION

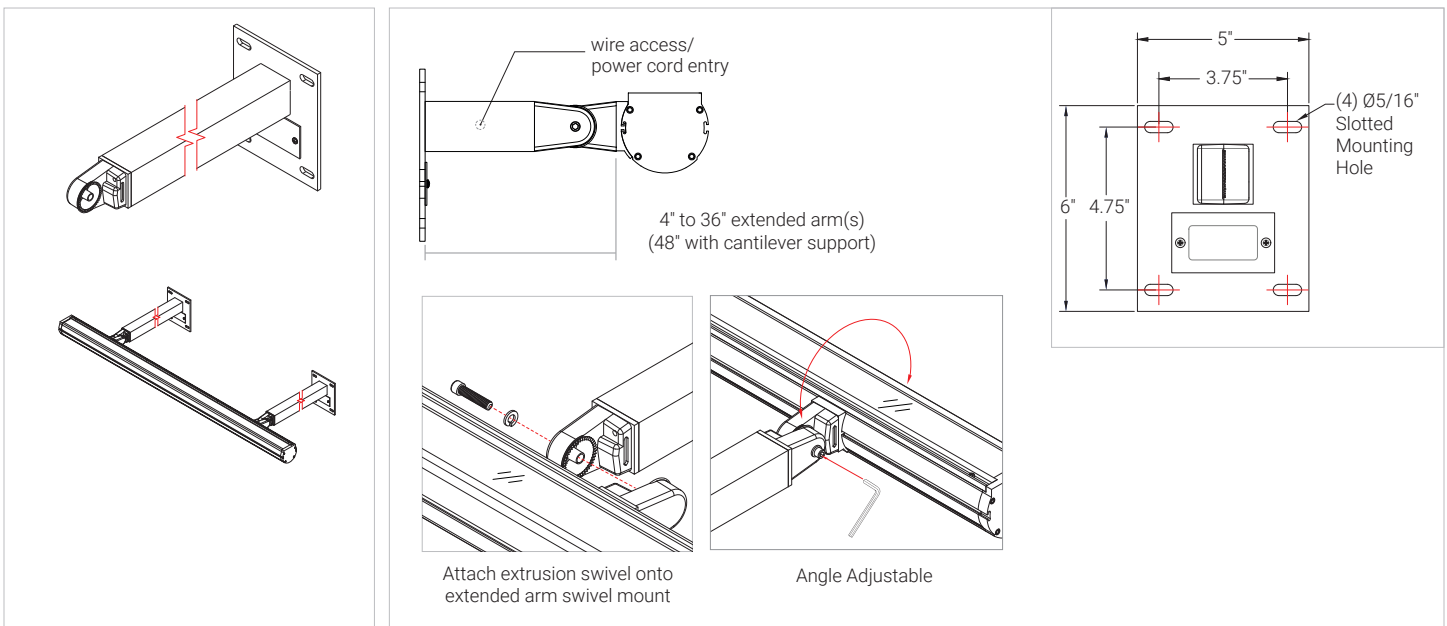
Swivel Mount

A heavy duty adjustable swivel mount with mounting plate. Weatherproof cord exits 3" from the back right end of individual fixtures with the lens in the up position. Fixtures 2ft+ require two swivels. 1/2" nipple (can be specified) mounts directly to weatherproof canopies.



Extended Arm

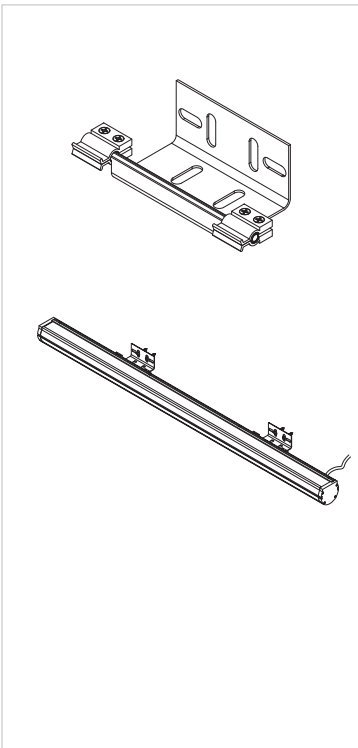
With swivel mount, extended arm is available in 4"-36" lengths. Fixtures 2ft+ require two arms. Power cords can be routed through arms, exiting close to the wall to connect to an adjacent j-box or other power outlet, providing a tidy installation.



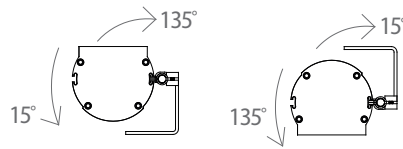
MOUNTING INSTALLATION

Sliding Bracket

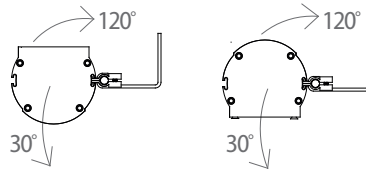
Surface mounts in position with 1/4" screws (not supplied). Fixtures 4ft + require two brackets. (Rows with Hubs - one bracket per fixture.)



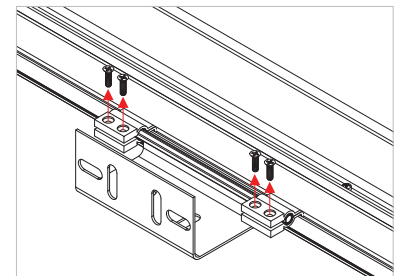
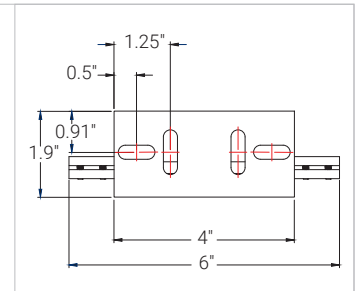
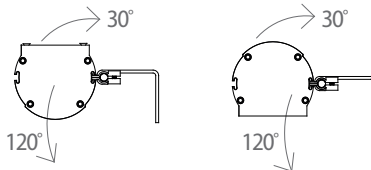
Surface or Recessed Mounting



Wall mounting, bracket down



Wall mounting, bracket up

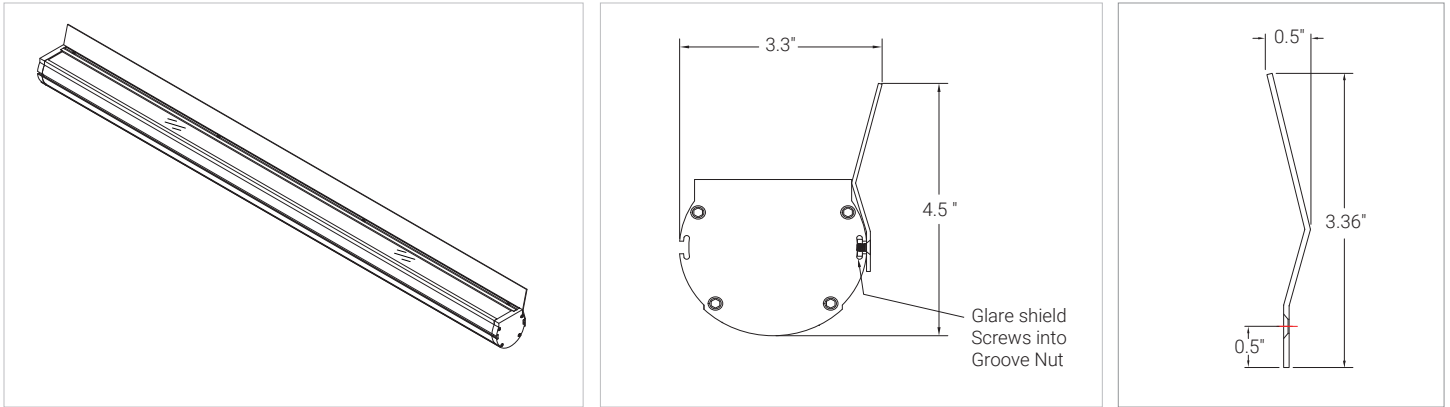


Sliding Bracket can be removed to change to up/down direction or loosened to slide to desired location. Secure screws after adjustment.

ACCESSORIES

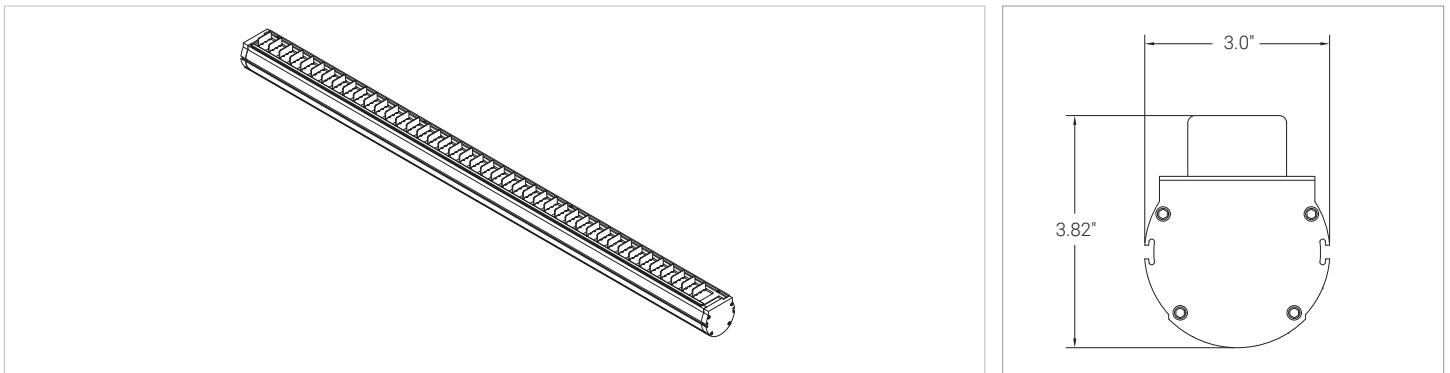
Glare Shield

Minimizes a direct glare, while maintaining the LED output.



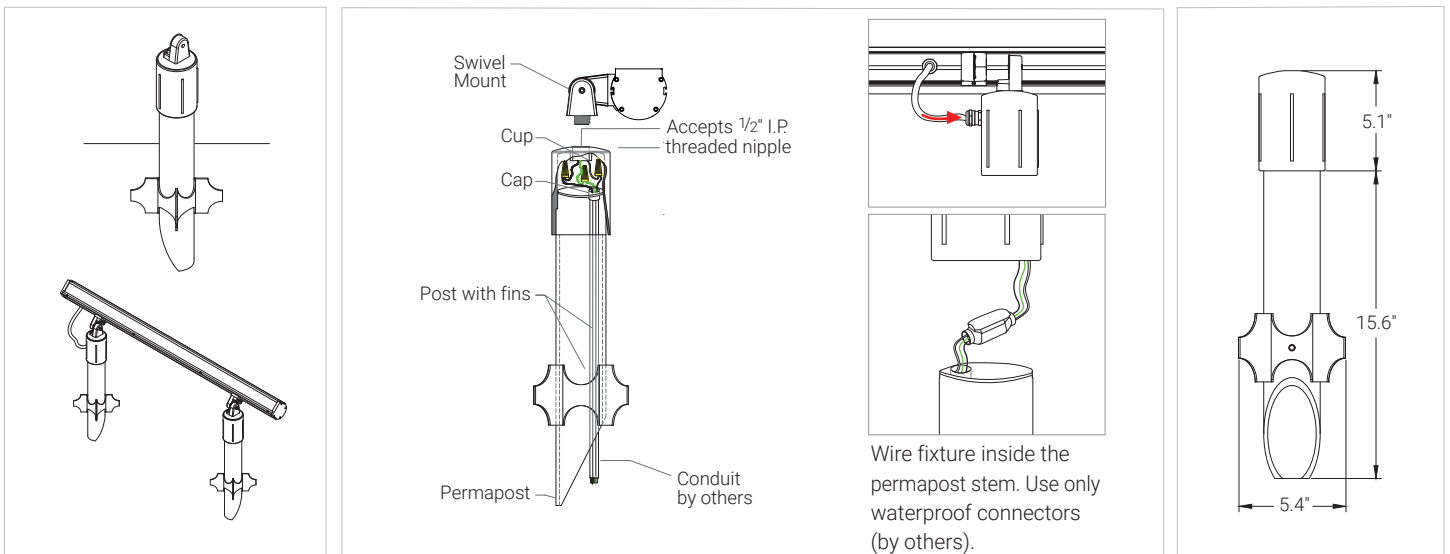
Blade Louver

Minimizes a horizontal glare, while maintaining the LED output.



Permapost

Provides easy at-grade installation. Includes swivel mount with 1/2" nipple. Fixture must be mounted at least 4" above ground level to avoid water accumulation.



Specifications sheets are subject to change without notification.

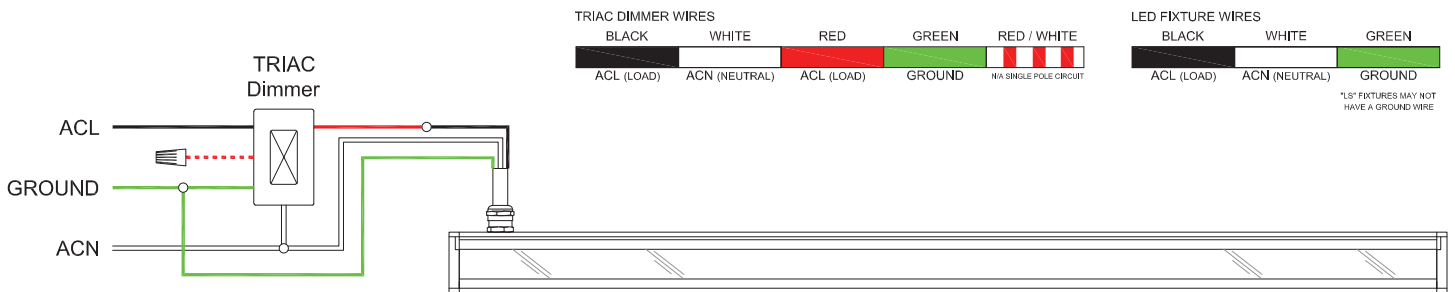
ELECTRICAL DETAILS

Non-Dimming | 3 Wire



TRIAC | Forward Phase | 3 Wire

Based on Lutron DIVA C • L DVCL-253P 250W



ELV | Reverse Phase | 3 Wire

Based on Lutron DIVA DVRP-253P 250W & Lutron DIVA DVELV-303P-WH 300W

