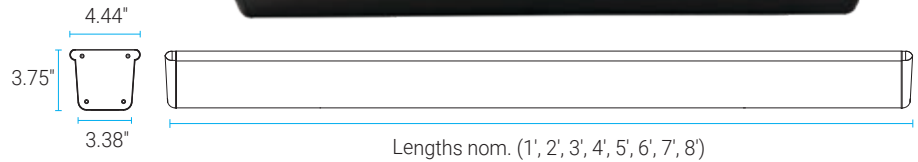


Omegalux[®] Signlighter 1200s

120VAC | 277VAC



Project _____

Date _____

LS 3.3w/ft	Delivered Output	Watts
1ft	238lm	3.3w
2ft	476lm	6.6w
3ft	714lm	9.9w
4ft	952lm	13.2w
5ft	1190lm	16.5w
6ft	1428lm	19.8w
7ft	1666lm	23.1w
8ft	1904lm	26.4w

LH 6.6w/ft	Delivered Output	Watts
1ft	478lm	6.6w
2ft	956lm	13.2w
3ft	1434lm	19.8w
4ft	1912lm	26.4w
5ft	2390lm	33w
6ft	2868lm	39.6w
7ft	3346lm	46.2w
8ft	3824lm	52.8w

LEH 9.9w/ft	Delivered Output	Watts
1ft	714lm	9.9w
2ft	1428lm	19.8w
3ft	2142lm	29.7w
4ft	2856lm	39.6w
5ft	3570lm	49.5w
6ft	4284lm	59.4w
7ft	4998lm	69.3w
8ft	5712lm	79.2w

DESCRIPTION

120V or 277V LED arrays with 120° distribution for general signlighting wallwashing creates a powerful energy efficient and economical linear floodlight. Adjustable aiming. Color temperature, mounting options and finishes area all available to customize the fixture to your specific application. Perfect for signs and wallwashing applications, with unparallelled uniformity.

FEATURES

Construction	Powder coated aluminum fixtures. Polycarbonate lenses.
Length (nom.)	1ft, 2ft , 3ft , 4ft ,5ft, 6ft, 7ft, 8ft
Weight	2.5lbs/ft
White CCT	2700K, 3000K, 3500K, 4000K, 5000K
Dimming	Non-dimming, Forward Phase (ELV), Reverse Phase (TRIAC)
Optics	120°
Mounting	Swivel Mount, Extended Arm, L Bracket, & Permapost
Finish	Powder Coated White, Black, Bronze, Silver, Custom

PERFORMANCE

Electrical	120VAC or 277VAC
LED Wattage	LS 3.3W/ft (238lm/ft) - Standard / LH 6.6W/ft (478lm/ft)- High LEH 9.9W/ft (714lm/ft)
Environment	Wet Location - IP65. Operating Temperature - 22°F to 122°F
Warranty	5 yr / 50,000 hour limited warranty
CRI	90+
Certifications	UL Listed, ROHS, 3G Rated (up to 6ft), UL Tested in accordance to ANSI C136.31-2018, BAA and BABA Options Available

ORDERING GUIDE

Make selections by filling out the top row or highlighting options.

1200s	SERIES	LENGTH	OUTPUT	CCT	VOLTAGE	CONTROL	OPTICS	MOUNTING	FINISH	ACCESSORY	CERTIFICATIONS
1200s	1 1'nom 2 2'nom 3 3'nom 4 4'nom 5 5'nom 6 6'nom 7 7'nom 8 8'nom	LS STANDARD LH HIGH LEH EXTRA HIGH	27 2700K 30 3000K 35 3500K 40 4000K 50 5000K	AC120 120V AC277 277V	ND NON DIMMING TRI FORWARD PHASE ELV REVERSE PHASE	120 120°	SW SWIVEL MOUNT Ax EXTENDED ARM (x=length) LB L BRACKET	WH WHITE BL BLACK BZ BRONZE SO SILVER CU CUSTOM	B BLADE LOUVER G GLARE SHIELD P PERMAPOST M MARINE GRADE FINISH 2 NATATORIUM WAF* WILDLIFE AMBER FILTER SF** SURGE PROTECTOR & INLINE FUSE N NONE	BAA BAA BABA BABA N NONE	

*RECOMMENDED FOR USE WITH 4000K, 3500K, 3000K, 2700K ONLY

**SF OPTION LINE VOLTAGE REQUIREMENT MUST NOT EXCEED 120VAC

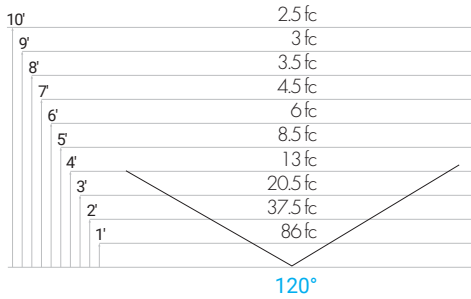
Specifications sheets are subject to change without notification.

Omegalux® Signlighter 1200s

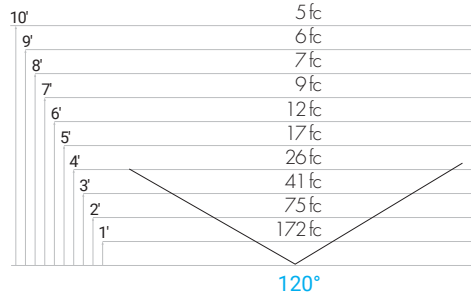
PHOTOMETRICS AND OPTICS

Aiming fixtures with the lens options shown enable perfect asymmetric performances to meet the needs of any signlighting or wallwashing project. Combining easy specification with easy aiming for long throw with even, shadowless distribution.

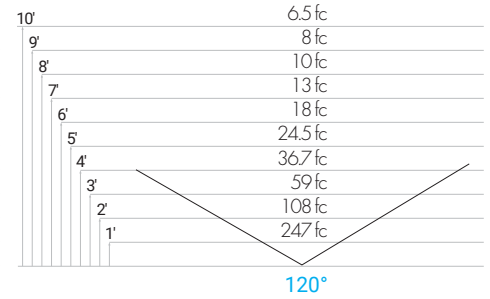
PHOTOMETRIC DATA - LS 3.3W/ft (based off 4ft fixture)



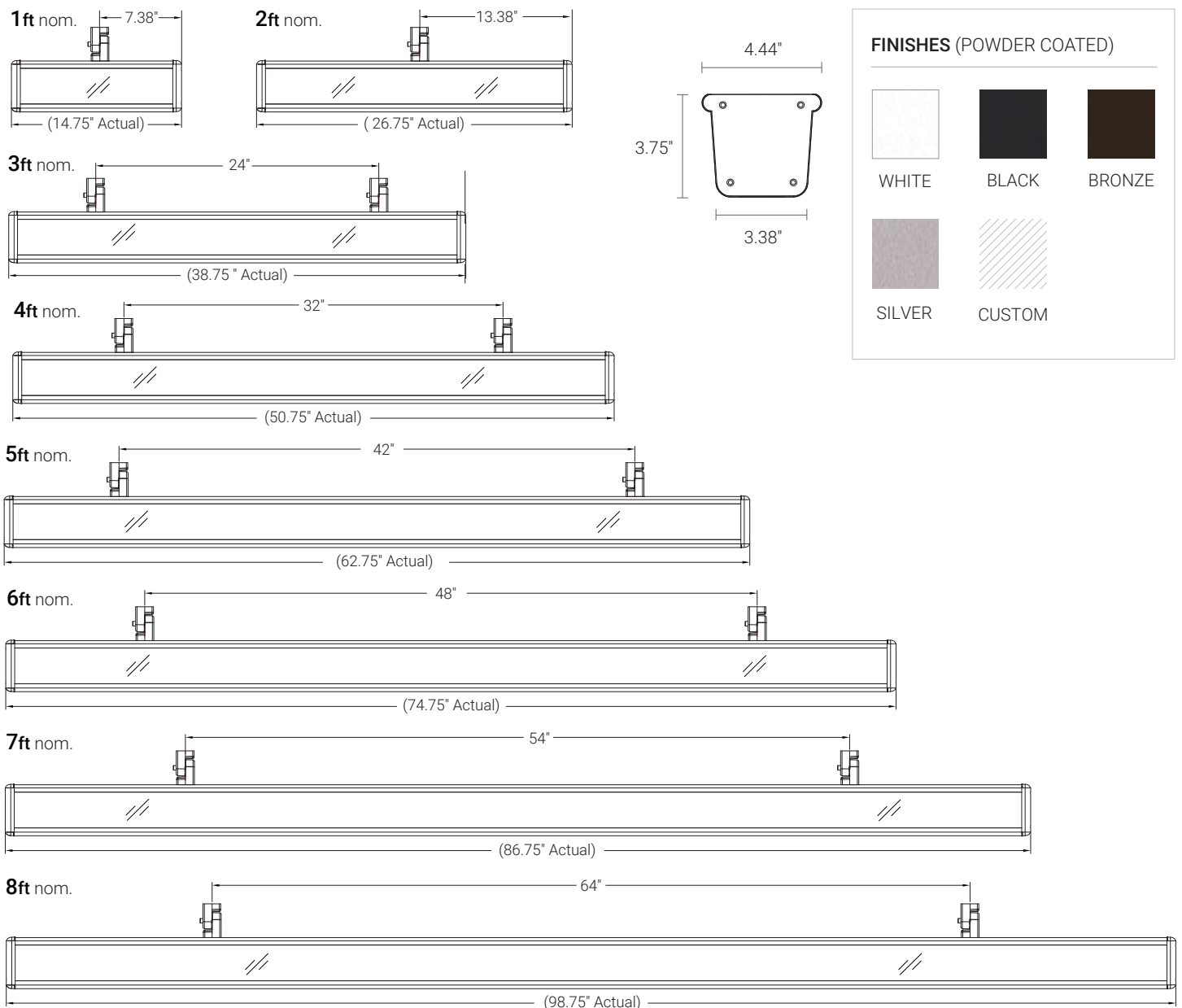
PHOTOMETRIC DATA - LH 6.6W/ft (based off 4ft fixture)



PHOTOMETRIC DATA - LEH 9.9W/ft (based off 4ft fixture)



FIXTURE SIZES



* Specifications sheets are subject to change without notification.

MOUNTING INSTALLATION

Swivel Mount

A 3" heavy duty adjustable swivel mount with mounting plate. Wires are routed through the swivel mount, exiting close to the wall to connect to an adjacent j-box or other power outlet, providing a tidy installation. 1/2" nipple (can be specified) mounts directly to weatherproof canopies or pipes.

*(2) Swivel Mounts needed per fixture for 3G rating to apply.

The Swivel Mount section includes a 3D perspective view of the fixture and its mounting plate. The main diagram shows the fixture being adjustable along the length of the fixture and having a 120° range of motion for up or down aiming, with a 30° adjustment range. A 1/2" NPT Nipple is shown for mounting to weatherproof canopies or pipes. A technical drawing of the mounting plate shows a 4" x 4" square with four 0.75" typical slots, a central 0.83" wire thru hole, and four 0.75" typical mounting holes. The three-step installation process is as follows:

1. Feed wire into wire thru hole on the Swivel mount
2. Attach swivels and loosely secure with swivel screw(s)
3. Rotate fixture to desired angle and secure.

Extended Arm

Extended arm is available in 4"-36" lengths with a 3" adjustable swivel. Power cords are routed through arms, exiting close to the wall to connect to an adjacent j-box or other power outlet, providing a tidy installation with a built in hand hole.

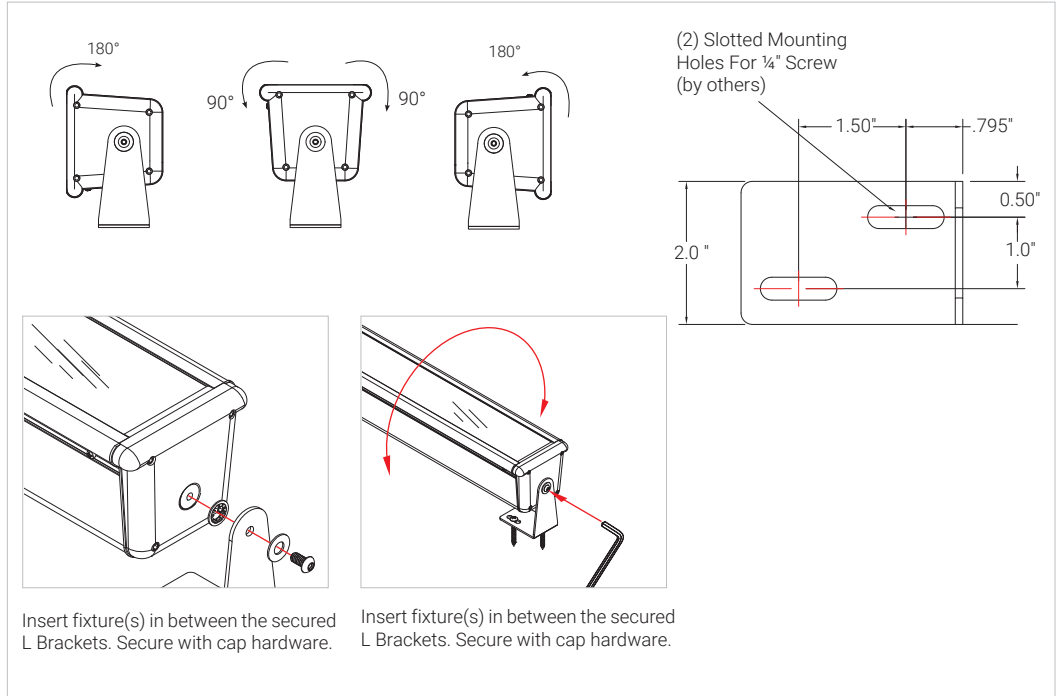
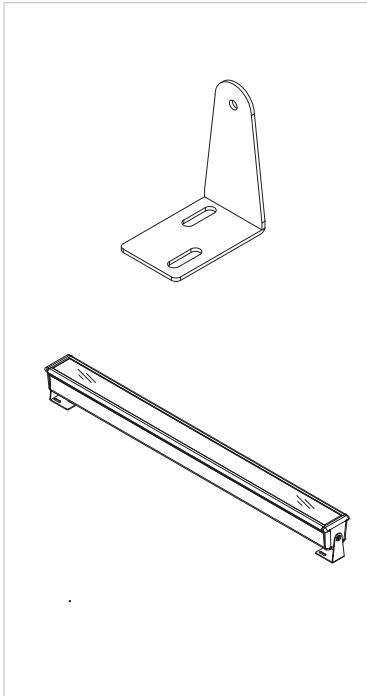
The Extended Arm section includes a 3D perspective view of the fixture with an extended arm. The main diagram shows the fixture with a 4" to 36" extended arm. A technical drawing of the mounting plate shows a 6" x 5" rectangle with four 0.75" typical slots, a central 4.75" wide opening, and four 0.75" typical mounting holes. The three-step installation process is as follows:

1. Feed wire into wire thru hole on the Swivel mount
2. Attach swivels and loosely secure with swivel screw(s)
3. Rotate fixture to desired angle and secure.

MOUNTING INSTALLATION

L Bracket

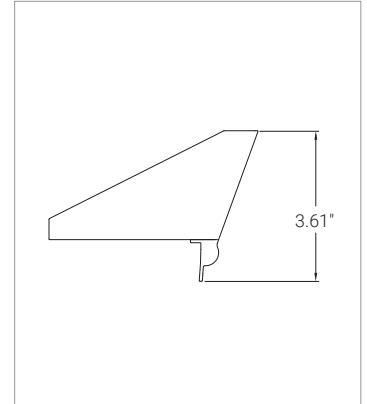
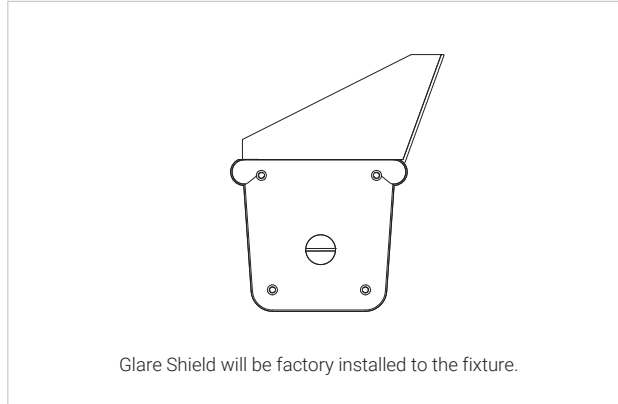
Allows for a surface mounting with a swivel tilt. Weatherproof cord exits 3" from the back right end of individual fixtures with the lens in the up position.



ACCESSORIES

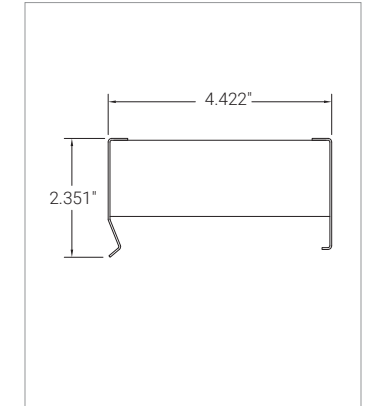
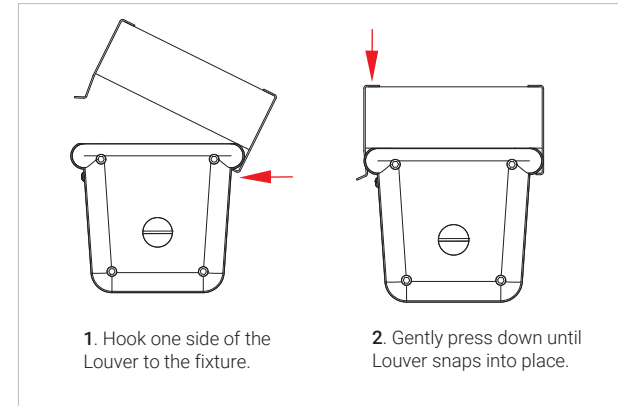
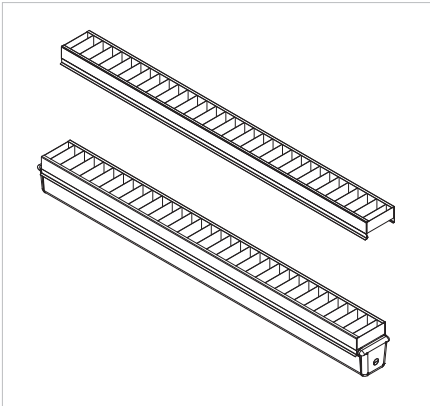
Glare Shield

Minimizes a direct glare, while maintaining the LED output. Factory installed.



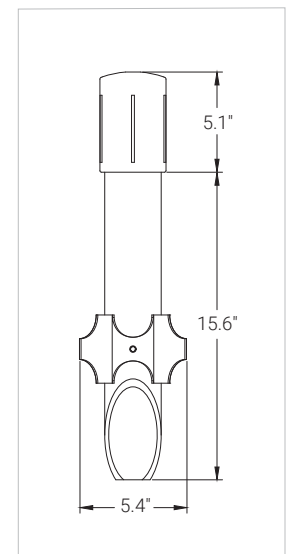
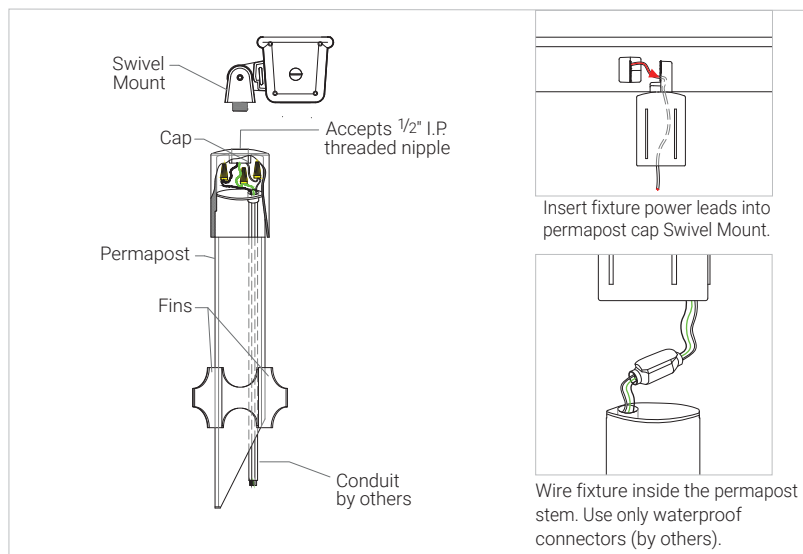
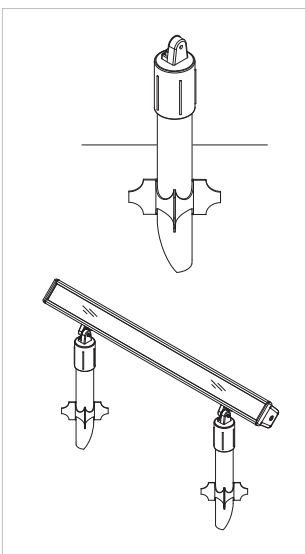
Blade Louver

Minimizes a horizontal glare, while maintaining the LED output.



Permapost

Provides easy at-grade installation. Includes swivel mount with 1/2" nipple. Fixture must be mounted at least 4" above ground level to avoid water accumulation.

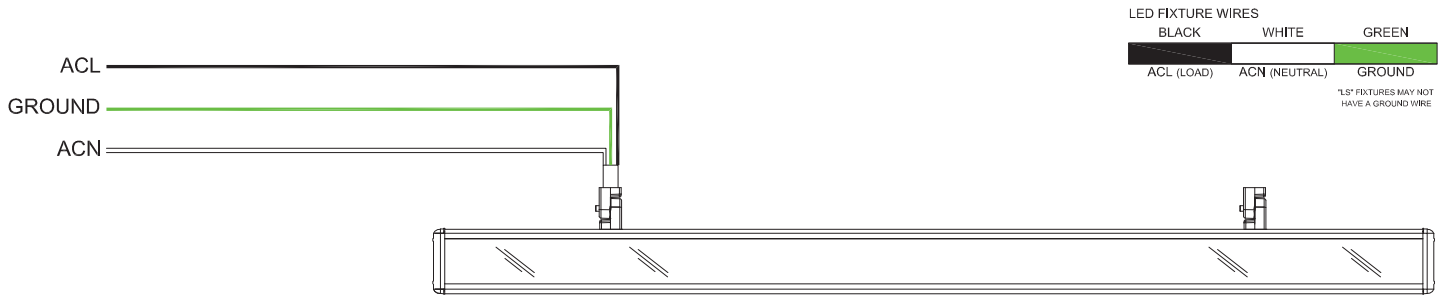


Specifications sheets are subject to change without notification.

Omegalux® Signlighter 1200s

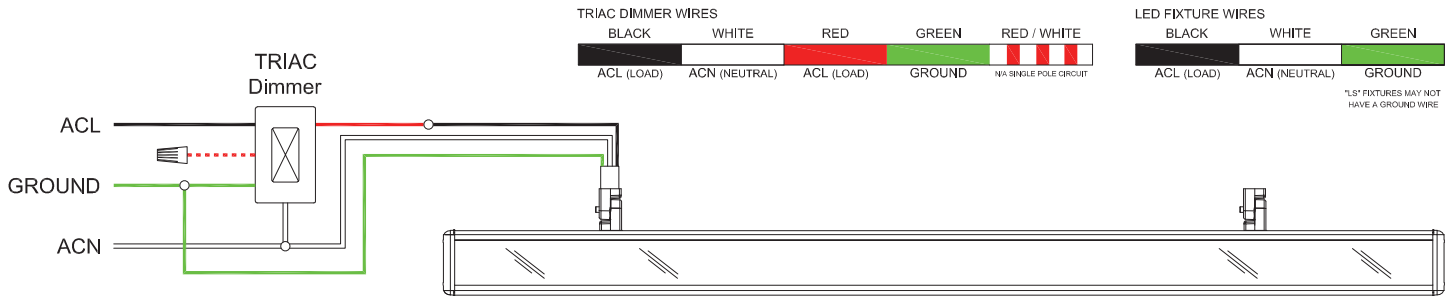
ELECTRICAL DETAILS

Non-Dimming | 3 Wire



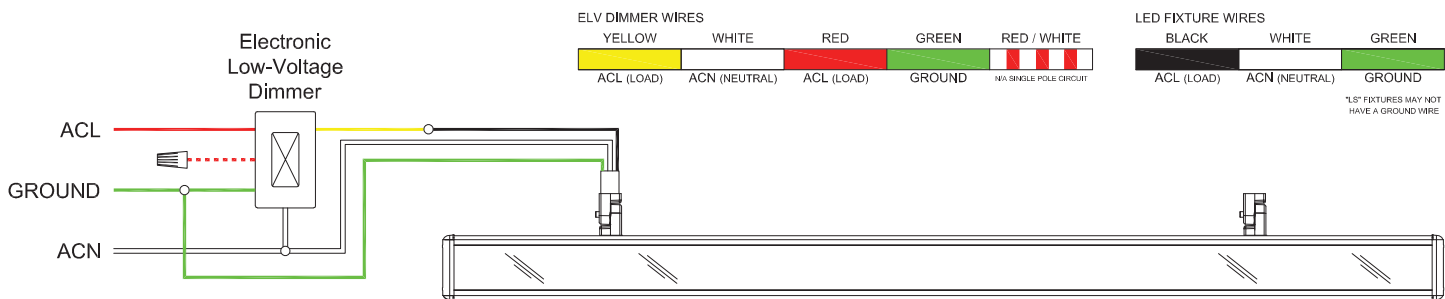
TRIAC | Forward Phase | 3 Wire

Based on Lutron DIVA C•L DVCL-253P 250W



ELV | Reverse Phase | 3 Wire

Based on Lutron DIVA DVRP-253P 250W & Lutron DIVA DVELV-303P-WH 300W



Specifications sheets are subject to change without notification.