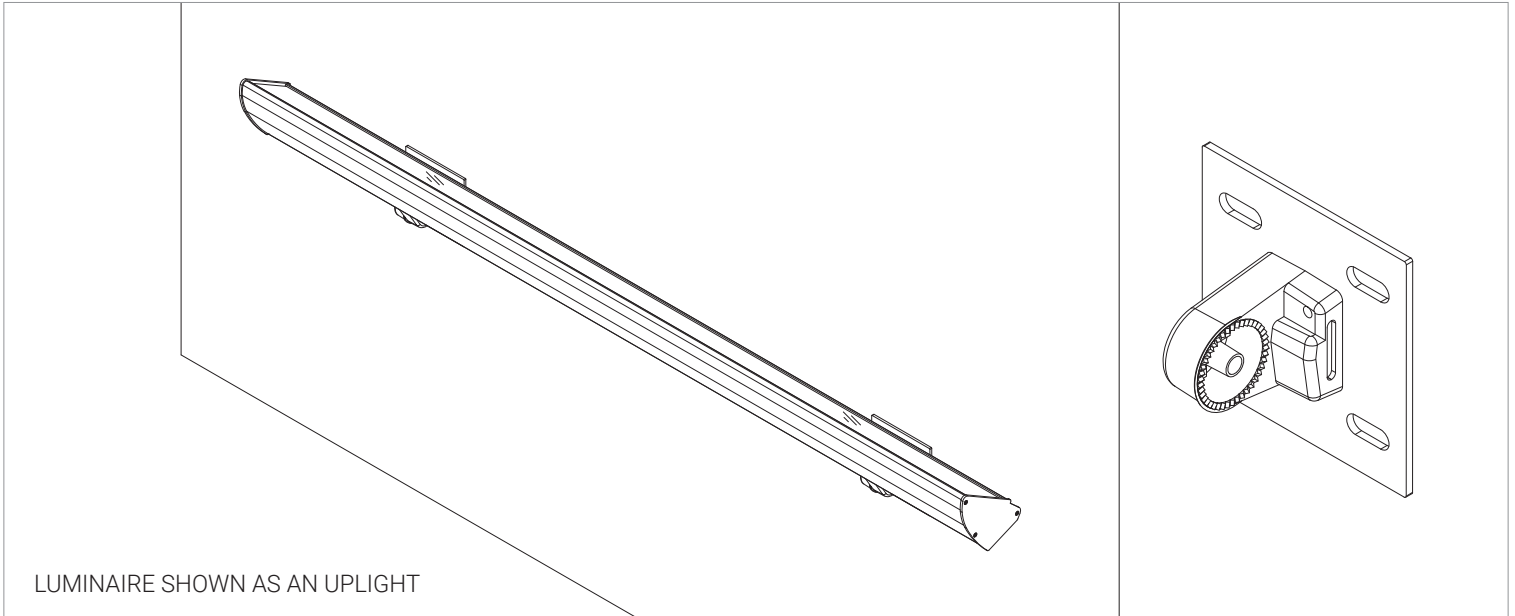




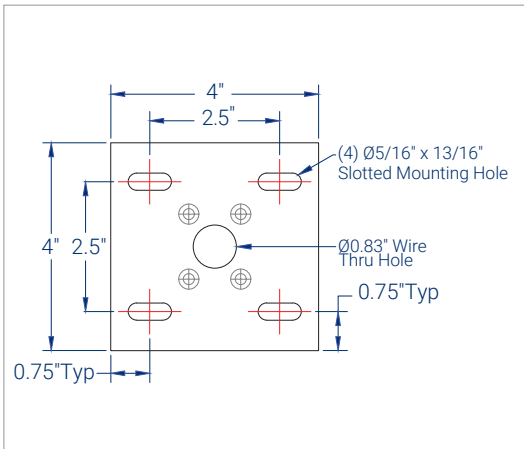
WARNING!

- READ THE PROVIDED INSTRUCTIONS PRIOR TO INSTALLING.
- INSTALLATION SHOULD BE CARRIED OUT BY QUALIFIED INSTALLERS.
- THE INSTALLER HAS THE FINAL RESPONSIBILITY FOR THE STRENGTH AND RIGIDITY OF THE WALL/CEILING STRUCTURE.
- A MINIMUM OF 2 PEOPLE REQUIRED WHEN INSTALLING LONG LENGTH FIXTURES.

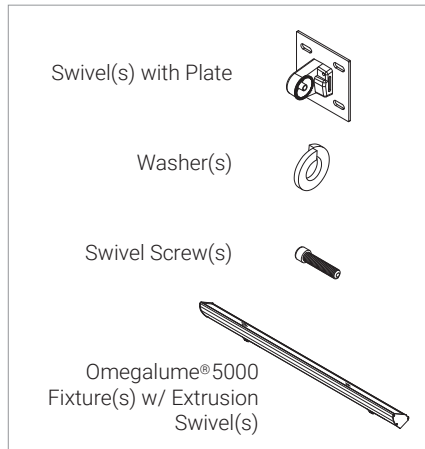


LUMINAIRE SHOWN AS AN UPLIGHT

MOUNT DIMENSIONS



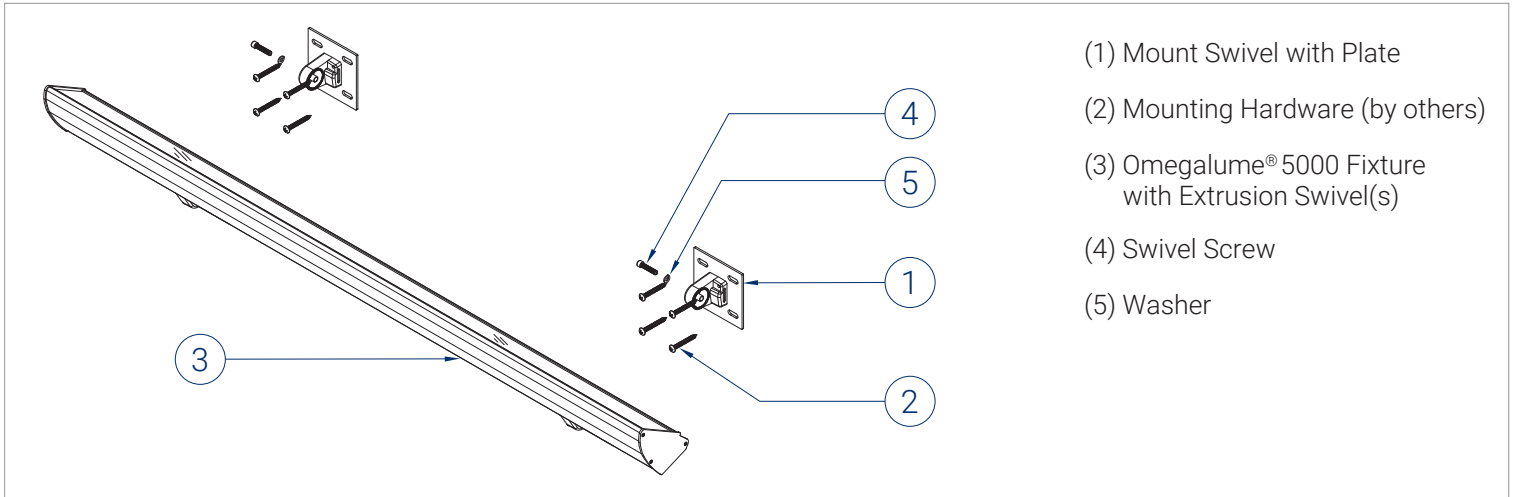
PACKAGE INCLUDES



ITEMS NEEDED (BY OTHERS)



ISOMETRIC VIEW



- (1) Mount Swivel with Plate
- (2) Mounting Hardware (by others)
- (3) Omegalume® 5000 Fixture with Extrusion Swivel(s)
- (4) Swivel Screw
- (5) Washer

1 MOUNT SWIVEL PLATE(S) TO SURFACE

- MEASURE AND MARK THE SURFACE ACCORDING TO THE "FIXTURE MOUNTING SPECIFICATIONS" CHART (BELOW) TO ENSURE ACCURATE PLACEMENT OF SWIVEL MOUNT PLATES(S).
- BEFORE MOUNTING TO SURFACE, ENSURE STEP #2 IS COMPLETED FIRST.

FIXTURE MOUNTING SPECIFICATIONS	
Fixture Length (Nom)	Mounting Length (from inside edges)
2'	CENTER
3'	20"
4'	28"
8'	60"

FRONT VIEW

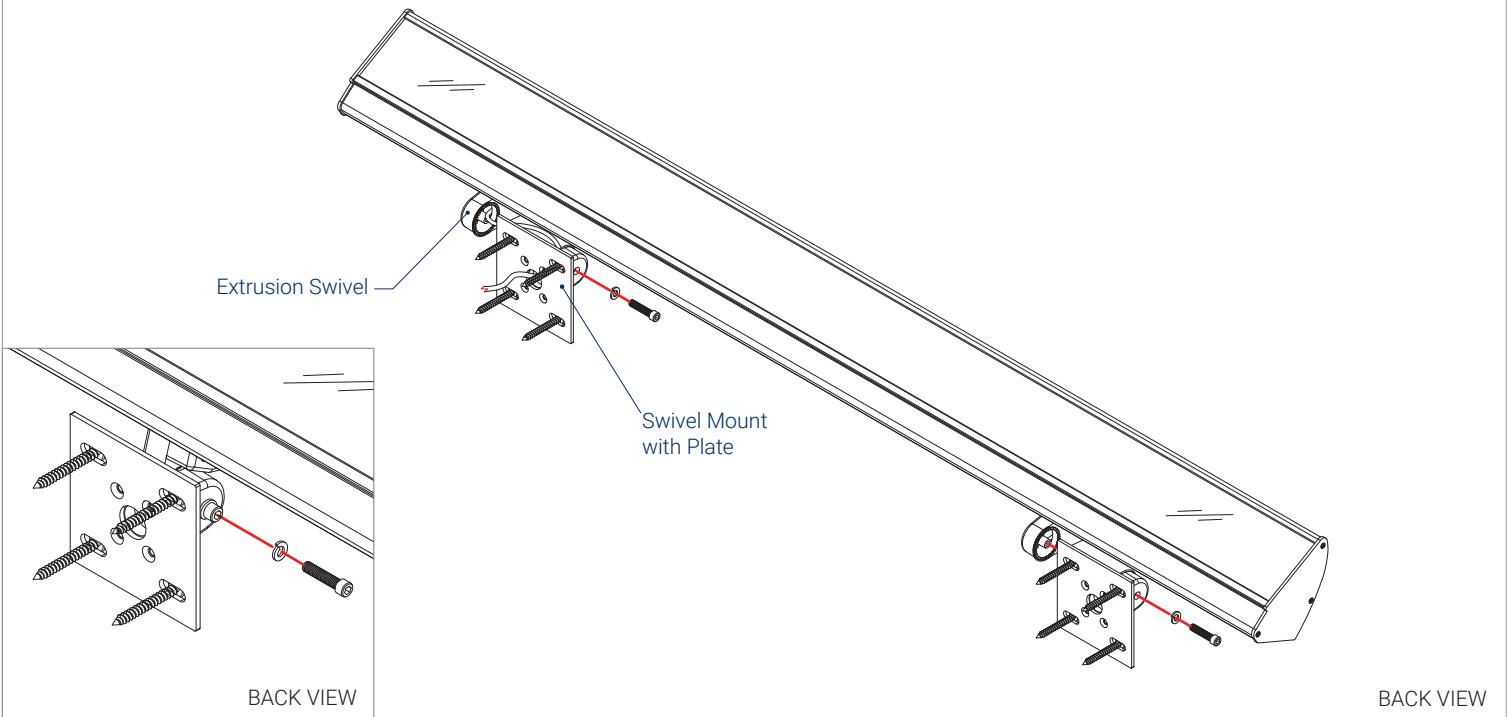
2 FEED WIRE(S)

- FEED WIRE FROM EXTRUSION SWIVEL, INTO WIRE THRU HOLE ON THE SWIVEL MOUNT, AND OUT THROUGH THE WIRE THRU HOLE ON THE SWIVEL MOUNT PLATE

BACK VIEW

3 ATTACH SWIVEL(S)

- ATTACH EXTRUSION SWIVEL(S) ONTO MOUNT SWIVEL(S) WITH PLATE.
- USE THE SWIVEL SCREW(S) AND WASHER(S) TO LOOSELY ATTACH THE MOUNT(S) TOGETHER.
- THE WASHER PRECEDES THE SCREW (SEE ILLUSTRATION).



4 SELECT DESIRED ANGLE

- ROTATE AND TILT THE FIXTURE INTO DESIRED DEGREE ANGLE AND TIGHTEN SWIVEL SCREW(S).

