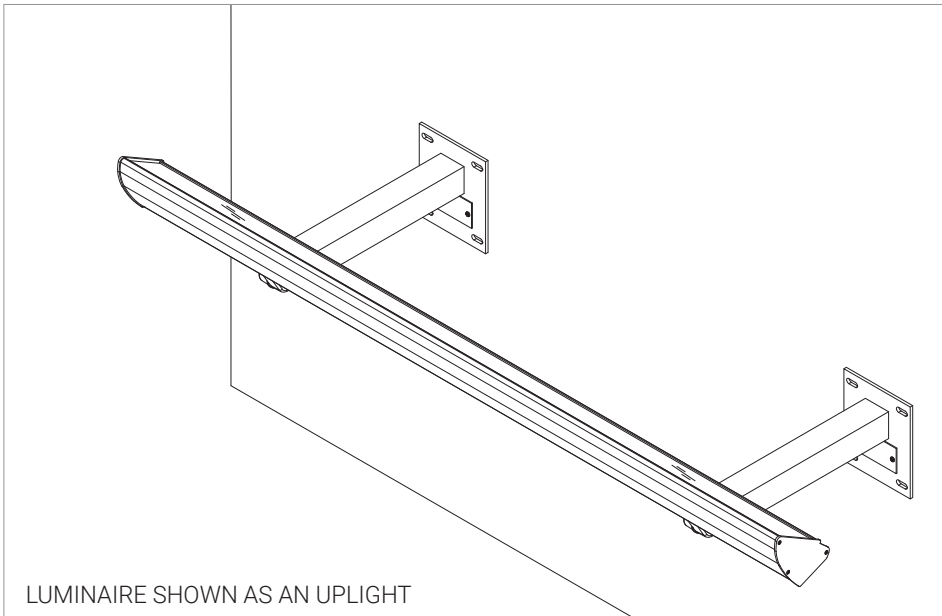


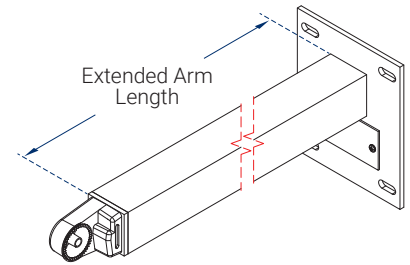


WARNING!

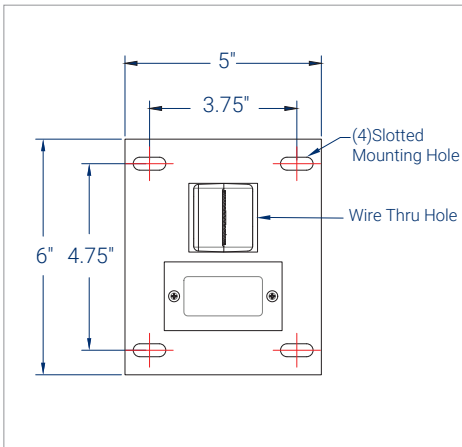
- READ THE PROVIDED INSTRUCTIONS PRIOR TO INSTALLING.
- INSTALLATION SHOULD BE CARRIED OUT BY QUALIFIED INSTALLERS.
- THE INSTALLER HAS THE FINAL RESPONSIBILITY FOR THE STRENGTH AND RIGIDITY OF THE WALL/CEILING STRUCTURE.
- A MINIMUM OF 2 PEOPLE REQUIRED WHEN INSTALLING LONG LENGTH FIXTURES.



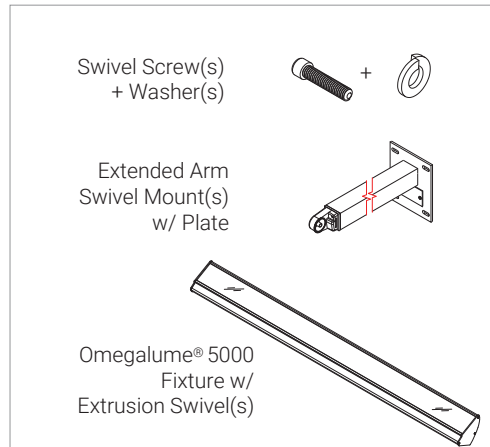
LUMINAIRE SHOWN AS AN UPLIGHT



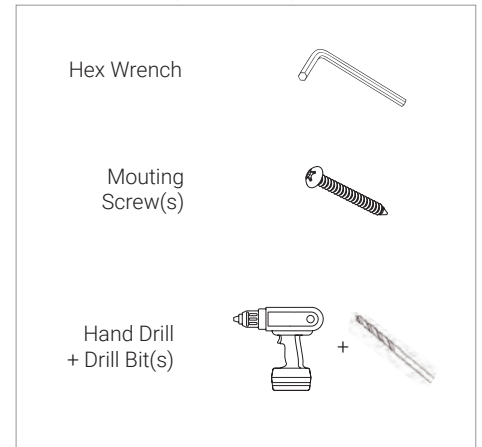
MOUNT DIMENSIONS



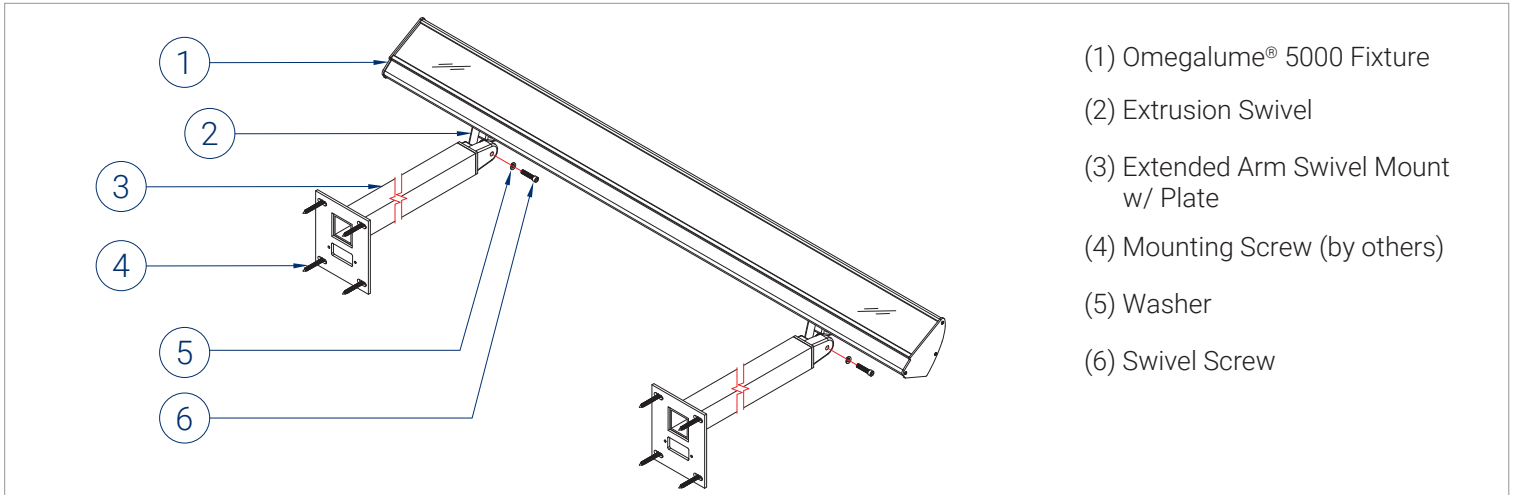
PACKAGE INCLUDES



ITEMS NEEDED (BY OTHERS)



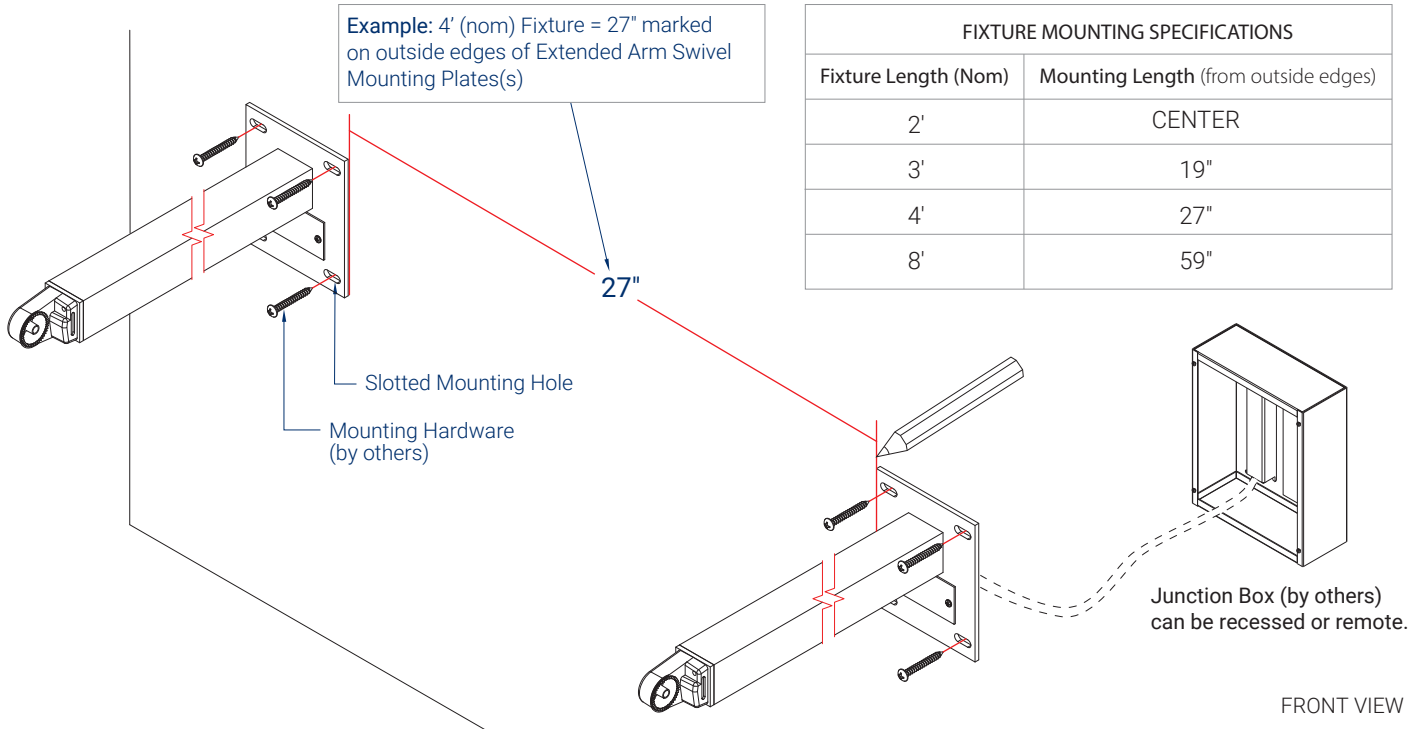
ISOMETRIC / EXPLODED VIEW



- (1) Omegalume® 5000 Fixture
- (2) Extrusion Swivel
- (3) Extended Arm Swivel Mount w/ Plate
- (4) Mounting Screw (by others)
- (5) Washer
- (6) Swivel Screw

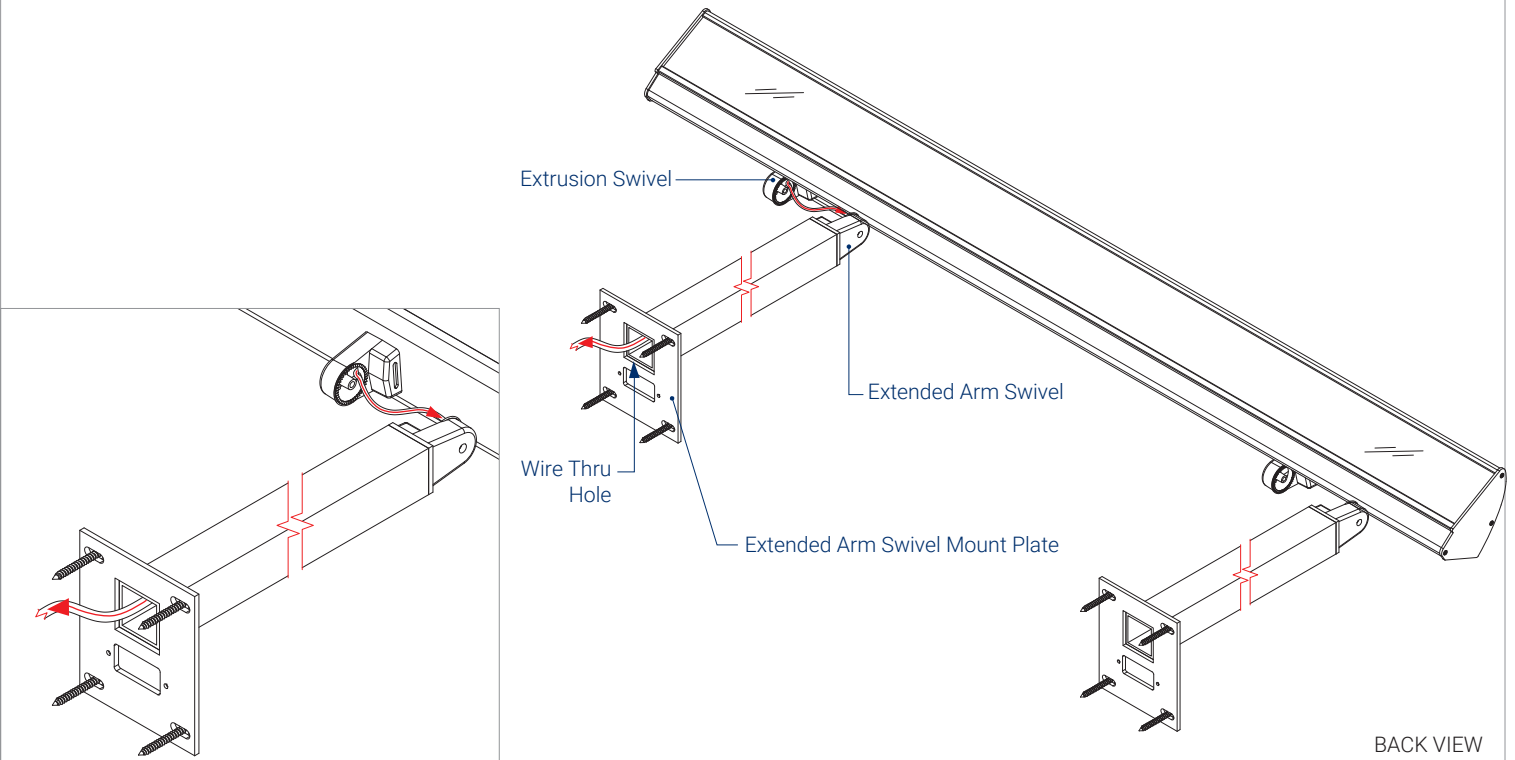
1 MOUNT EXTENDED ARM SWIVEL PLATE(S) TO SURFACE

- MEASURE AND MARK THE SURFACE ACCORDING TO THE "FIXTURE MOUNTING SPECIFICATIONS" CHART (BELOW) TO ENSURE ACCURATE PLACEMENT OF EXTENDED ARM SWIVEL MOUNT PLATE(S).
- BEFORE MOUNTING TO SURFACE, ENSURE STEP #2 IS COMPLETED FIRST.



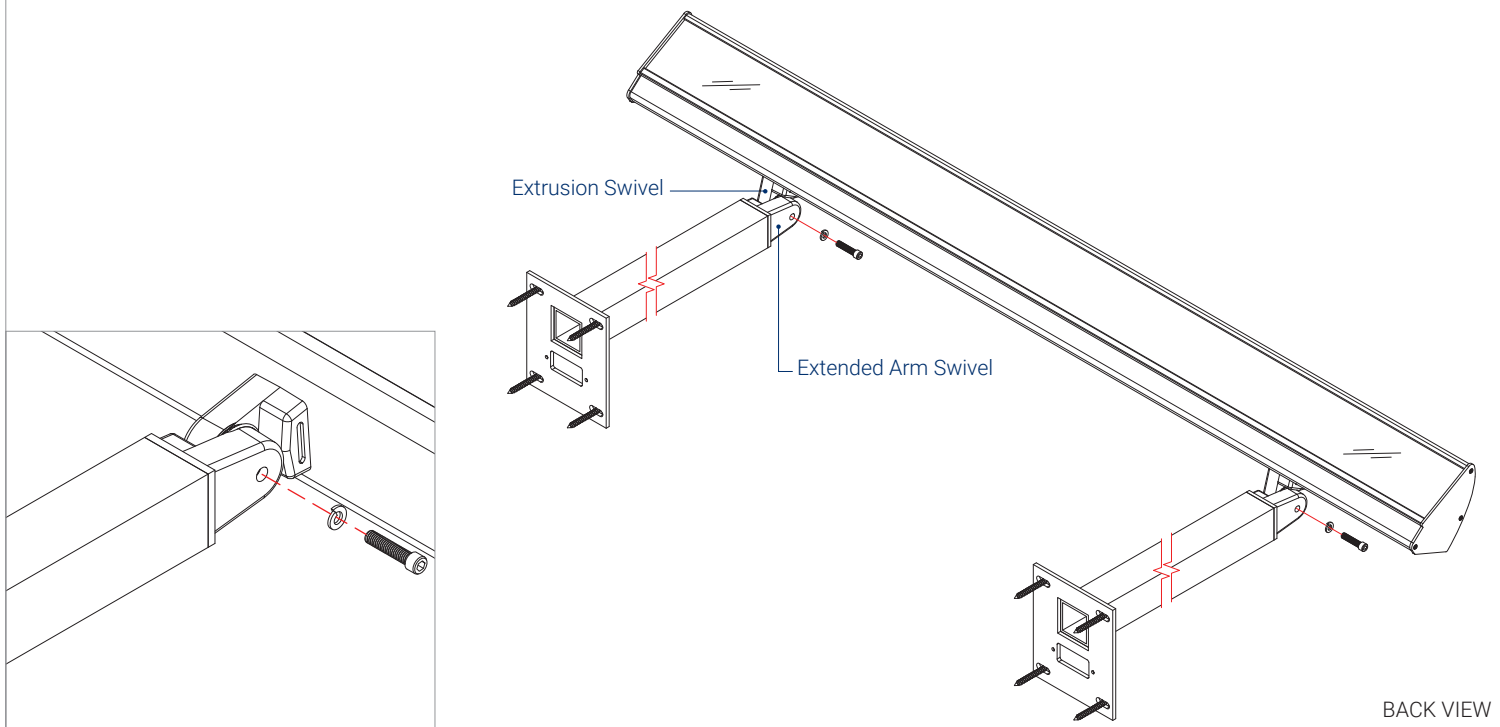
2 FEED WIRE(S)

- FEED WIRE FROM EXTRUSION SWIVEL, INTO WIRE THRU HOLE ON THE EXTENDED ARM SWIVEL MOUNT, AND OUT THROUGH THE WIRE THRU HOLE ON THE EXTENDED ARM SWIVEL MOUNT PLATE.



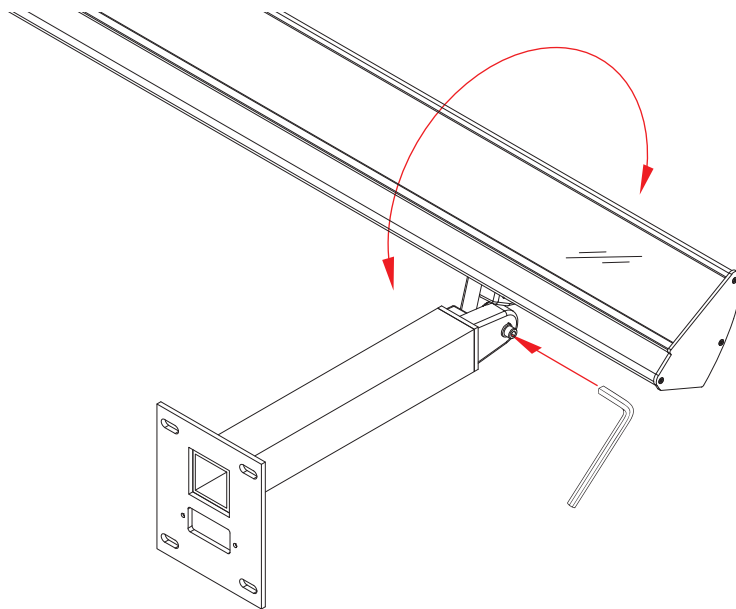
3 ATTACH SWIVEL(S)

- ATTACH EXTRUSION SWIVEL(S) ONTO EXTENDED ARM SWIVEL(S).
- USE THE SWIVEL SCREW(S) AND WASHER(S) TO LOOSELY ATTACH THE MOUNTS TOGETHER.
- THE WASHER PRECEDES THE SCREW (SEE ILLUSTRATION).



4 SELECT DESIRED ANGLE

- ROTATE AND TILT THE FIXTURE INTO DESIRED DEGREE ANGLE AND TIGHTEN SWIVEL SCREW(S) UNTIL SECURE.



BACK VIEW